



GB Instructions for use/Technical description

USA Bonum large animal battery-operated clipping machine

D Gebrauchsanweisung/Technische Beschreibung

Bonum Großtierakkuschermaschine

F Mode d'emploi/Description technique

Tondeuse à accu pour grands animaux Bonum

E Instrucciones de manejo/Descripción técnica

Esquiladora para animales grandes a batería Bonum

I Istruzioni per l'uso/Descrizione tecnica

Tosatrice ad accumulatore Bonum per animali di grossa taglia

NL Gebruiksaanwijzing/Technische beschrijving

Accu scheermachine Bonum voor grote dieren

DK Brugsanvisning/Teknisk beskrivelse

Klippemaskine Bonum til store dyr

N Bruksanvisning/Teknisk beskrivelse

Batteridrevet klippemaskin Bonum for store dyr

S Bruksanvisning/Teknisk beskrivning

Bonum batteridrivnen klippmaskin för stora djur

CZ Návod k použití/Technický popis

Akumulátorový stříhací strojek Bonum pro velká zvířata

PL Instrukcja użytkowania/Opis techniczny

Akumulatorowa maszynka do strzyżenia Bonum dużych zwierząt

HU Használati útmutató/Műszaki leírás

Akkumulátoros nyírógép Bonum nagy állatokhoz

SLO Navodila za uporabo/Tehnični opis

Akumulatorski strižni aparat za velike živali Bonum

HR Upute za uporabu/Tehnički opis

Baterijski aparat za šišanje velikih životinja Bonum

RUM Manual de utilizare/Descriere tehnică

Mașină de tuns pentru animale mari, cu acumulator Bonum

BG Упътване за употреба/Техническо описание

Акумулаторна машинка за стригане Bonum на едри животни

TR Kullanım Kılavuzu/Teknik açıklama

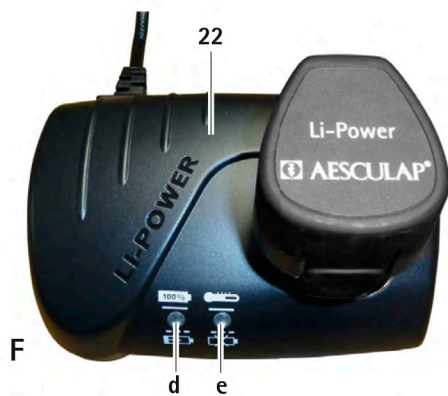
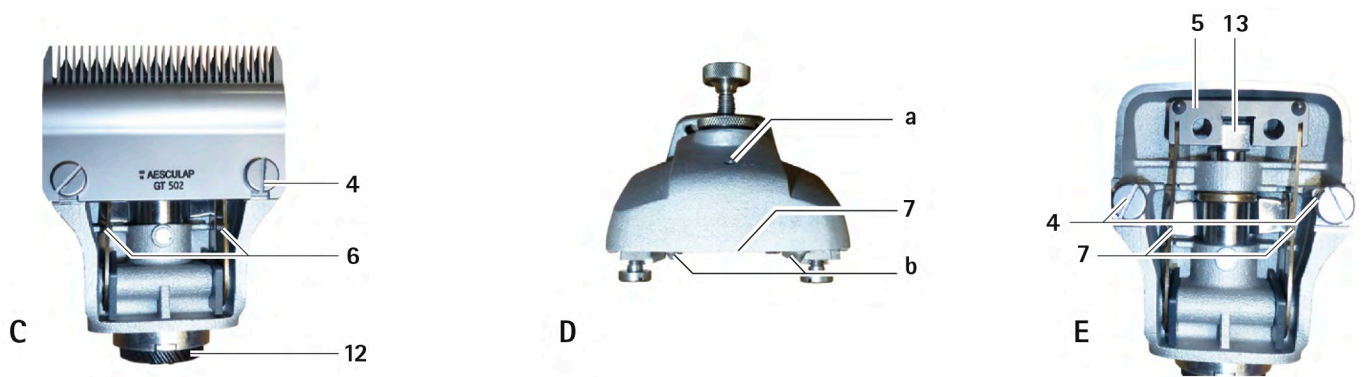
Büyükbaş hayvanlar için akülü kırkma makinesi Bonum

GR Οδηγίες χρήσης/Τεχνική περιγραφή

Επαναφορτιζόμενη κουρευτική μηχανή μεγάλων ζώων Bonum

J 取扱説明書 / 技術説明

大型動物用充電式ヘアカッター Bonum



Aesculap®

Bonum large animal battery-operated clipping machine

Overview

Item	Art. no.	Name
1	GT647801	1 Mounted cutter head housing
2	GT502	1 Lower cutter plate
3	GT501	1 Upper cutter plate (for cows)
	GT505	1 Upper cutter plate (for horses)
4	GT610010	1 Fixing screw
5	GT367201	1 Oscillator
6	GT367202	2 Guide pin
7	TA008295	6 Oscillating spring leaf
8	GT610307	1 Spring bridge
9	GT367207	2 Fixation screw
10	GT640225	1 Adjusting screw
11	GT610405	2 Knurled nut
12	GT640220	1 Shaft with gear wheel
13	GT610304	1 Oscillating block
14	TA010017	2 Screw, cross-head, M4 x 16
15	TA005091	2 Screw
16	GT367803	1 Right distance part
17	GT367802	1 Left distance part
18	GT367804	1 Mounted oscillator
19	GT146	1 Torqui precision adjusting aid
20	GT800249	1 On/off button (with LED)
21	GT641 (31NR19/66-1)	1 Li-ion battery
22	GT643 (LC40)	1 Charger
a	-	1 Lubricating point for battery-operated clipping machine
b	-	1 Sliding block
c	-	1 Thrust bearing sleeve
d	-	1 Snap ring
e	-	1 Housing cover
f	-	1 Pressure bar
g	-	1 Eye spring
-	GT604	1 Special lubricating oil for cutter head and cutter plates
	GT605	1 Gear grease (tube)

Symbols on product



Caution, general warning symbol
Caution, see documentation supplied with the product



Labeling of electrical and electronic devices according to directive 2012/19/EU (WEEE), see Disposal

Contents

1.	Safe handling	3
2.	Product description	3
2.1	Scope of supply	3
2.2	Components required for operation	3
2.3	Intended use	3
2.4	Operating principle	4
3.	Preparation	4
4.	Working with the battery-operated clipping machine, charger and Li-ion battery	4
4.1	System set-up	4
4.2	Function checks	4
4.3	Connecting the charger/Charging the Li-ion battery	5
4.4	Change the Li-ion battery	6
4.5	Handling the cutter head	6
4.6	Storage	8
5.	Cutter plates	8
5.1	Cutter plates compatible with cutter head GT647 Cattle version/GT657 Horse version	8
5.2	Recommended combinations	8
6.	Reprocessing	9
6.1	Cleaning/disinfection	9
6.2	Inspection and checking	10
7.	Maintenance	10
8.	Troubleshooting list	10
8.1	Bonum battery operated clipping machine	10
8.2	Charger and Li-ion battery	10
9.	Technical Service	11
10.	Accessories/Spare parts	12
11.	Technical data	13
11.1	Bonum battery operated clipping machine	13
11.2	Charger GT643 (LC40)	13
11.3	Li-ion battery GT621 (31NR19/66-1)	13
11.4	For EU countries only	13
12.	Disposal	13

12.1	For EU countries only	13
12.2	Li-ion battery.....	13
13.	Two year guarantee.....	13

1. Safe handling



Risk of death by electric shock!

- ▶ Do not open the product.
- ▶ Connect the product only to a grounded power supply.

- ▶ Before using the product, verify its functionality and proper condition.
- ▶ Store charger and Li-ion batteries at room temperature.
- ▶ Keep dry the charger and Li-ion batteries.
- ▶ Charge the Li-ion batteries prior to first use.
- ▶ To prevent damage caused by improper setup or operation, and to not compromise the manufacturer warranty and liability:
 - Use the product only according to these instructions for use.
 - Follow the safety and maintenance instructions.
 - Only combine Aesculap products with each other.
- ▶ Keep the instructions for use accessible for the user.
- ▶ Always adhere to applicable standards.
- ▶ Ensure that the electrical facilities in the room in which the device is being used conform to IEC norms.
- ▶ Unplug the device by pulling the plug, but never by pulling the power cord.
- ▶ Do not operate the product in explosion-hazard areas.
- ▶ Do not use the product if it is damaged or defective. Set aside the product if it is damaged.

2. Product description

2.1 Scope of supply

Art. no.	Designation
GT640-BL	Bonum large animal clipping machine for cows, blue
GT640-RO	Bonum large animal clipping machine for horses, pink
GT641 (3INR19/66-1)	Li-ion battery
GT643 (LC40)	Charger incl. mains power cord (with device plug)
TA015304	Instructions for use
TA009222	Screwdriver
GT604	Lubricator bottle

2.2 Components required for operation

- Bonum battery operated clipping machine
- Charger
- Mains power cord (with device plug)
- Li-ion battery

2.3 Intended use

Bonum battery operated clipping machine

The Bonum battery-operated clipping machine is used for clipping large animals such as cattle, horses and large dogs.

Charger GT643 (LC40)/Li-ion battery GT641 (3INR19/66-1)

The GT643 (LC40) charger is used to charge the GT641 (3INR19/66-1) lithium ion battery.

Aesculap®

Bonum large animal battery-operated clipping machine

2.4 Operating principle

Bonum battery operated clipping machine

The Bonum battery-operated clipping machine is switched on and off using the on/off button **20**.

Note

The on/off button only reacts after >0.5 s in order to avoid the machine being switched on or off unintentionally.

Charger GT643 (LC40)/Li-Ion battery GT641 (3INR19/66-1)

The GT643 (LC40) charger is designed for a mains voltage range of 220 V to 240 V and 50 Hz to 60 Hz.

To ready the GT643 (LC40) charger for operation, connect it to mains power by plugging in the mains plug.

The GT643 (LC40) charger has one charging bay.

Charging starts automatically as soon as the Li-ion battery is inserted in the charging station.

The charging time depends on the charge state and capacity of the Li-ion battery.

Charging principle

The Li-ion batteries are charged by constant current pulses.

The charge state of the Li-ion battery is monitored during charging. Monitoring of the charging curve ensures that the battery is fully charged without overcharging.

Additionally, the battery temperature and charging time are monitored as well.

The charge status display **f** of the Li-ion battery has 5 LEDs. Each LED stands for 20 % of charge volume. When the battery is charging, the LED of the respective charging status blinks. When all the LEDs are permanently illuminated, the battery is completely charged.

Charging time

Charging is stopped as soon as the maximum charging time is reached. The charging time is approx. 53 min.

3. Preparation

Non-compliance with the following instructions will preclude all responsibility and liability in this respect on the part of Aesculap.

- ▶ When setting up and operating the product, adhere to:
 - national regulations for installation and operation,
 - the national regulations on fire and explosion protection,
 - operating advisories according to IEC-/VDE regulations.

4. Working with the battery-operated clipping machine, charger and Li-ion battery

4.1 System set-up

Connecting the accessories

Combinations of accessories that are not mentioned in the present instructions for use may only be employed if they are specifically intended for the respective application, and if they do not compromise the performance and safety characteristics of the products.

4.2 Function checks

Bonum battery operated clipping machine

- ▶ Carry out a visual inspection.
- ▶ Push Li-ion battery **21** into the machine bay until it clicks into place.
- ▶ The charge status display **d** indicates the charge status.

Note

In order to prevent the lithium iron battery discharging when the machine is not being used, the electronic connection between the Li-ion battery and the control system for the battery-operated clipping machine is cut after 1 hour.

- ▶ Reactivate Li-ion battery **38**; press button **g**, see Fig. E.
All the LEDs in the charge status display **f** illuminate.

Charger/Li-ion battery

- ▶ Carry out a visual inspection.
- ▶ Prior to connecting the product to mains power:
 - Check the mains power cord for any damage.
 - Inspect product for possible damage (e.g. inspect contacts of the charging bay for bent contacts)
- ▶ Plug in the mains plug at the mains power socket.
- ▶ Place the Li-ion battery 21 in the charging bay of the charger and charge it, see Fig. F.

4.3 Connecting the charger/Charging the Li-ion battery



Fire hazard due to battery poles shorted by fluids or metal components!

- ▶ Li-ion battery not inserted



Risk of injury due to damaged mains power cord!

- ▶ Check mains power cord for any damage before charging.
- ▶ Arrange for any damaged mains power cord to be replaced by the manufacturer.



Risk of injury and material damage due to damaged Li-ion battery!

- ▶ Prior to charging, check the Li-ion battery for any damage.
- ▶ Do not use or charge any damaged Li-ion batteries.



Loss of capacity/performance due to prolonged storage of the discharged Li-ion battery!

- ▶ Store Li-ion batteries only in fully charged condition and recharge stored batteries once every month.



Destruction of the product, charging bay or Li-ion battery when inserting the wrong type of battery in the charging bay!

- ▶ Insert Li-ion battery only in the appropriate charging bay.

Note

Before starting, ensure that the mains voltage and mains frequency indicated on the nameplate correspond with the specifications of the mains power grid. When connecting the charger, it is recommended that a fault-current circuit breaker of at least type F with a tripping current of max. 30 mA be used.

Note

The charger can be used by children if 8 years or older, as well as by persons with reduced physical, sensory or mental capacities or with lack of experience and knowledge, if these persons are supervised or have been instructed on how to use the device safely, and if they understand the risks associated with the use of the device.

- ▶ Do not allow children to play with the device.
- ▶ Do not allow children to clean or maintain the device without supervision.

Aesculap®

Bonum large animal battery-operated clipping machine

Note

The Li-ion battery heats up slightly during charging.

Note

Disconnect the mains power cord at the mains socket when the charger is not going to be used.

- ▶ Only use the Aesculap charger GT643 (LC40) for charging the lithium ion battery.
- ▶ Insert the charger 22 power plug.
The LED of the operation indicator d and the LED of the warning indicator e light up in succession for approx. 1 second, see Fig. F.
- ▶ Place the Li-ion battery 21 in the charging bay of the charger 22 up to the stop, see Fig. F.
The LED of the operation indicator d blinks and the Li-ion battery 21 is charged.
When the LED of the operation indicator is permanently illuminated, the Li-ion battery is completely charged.

4.4 Change the Li-ion battery

- ▶ Hold the battery-operated clipping machine g with the cutter head downwards so that the lithium ion battery 21 does not fall down when loosened, see Fig. 1.
- ▶ Loosen the battery lock f with your thumb.

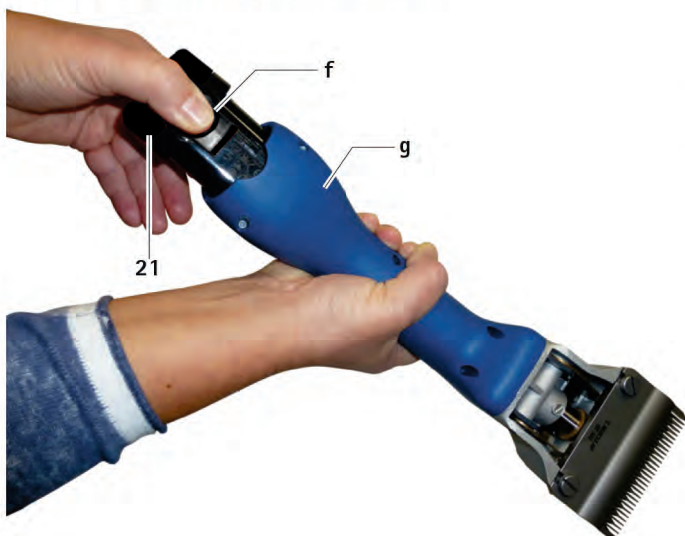


Fig. 1

- ▶ Remove the lithium ion battery 21, and push the charged and/or uncharged replacement lithium ion battery GT641 (31NR19/66-1) into the battery-operated clipping machine g, see Fig. 2.



Fig. 2

4.5 Handling the cutter head

Lubricating the shearing head



Damage to the clipping machine or the cutter head due to incorrect lubrication!

- ▶ **Only oil the cutter head when the machine is running.**
 - ▶ **Never immerse the cutter head in liquid of any kind!**
 - ▶ **Only use GT604 light lubricating oil.**
- ▶ Generously oil the cutter head at the lubrication point a before shearing each animal, see Fig. A.
 - ▶ Oil spring leaves 7 2 to 3 times daily with 3 to 4 drops of oil, see Fig. C.

Lubricating the gear wheel



Damage to the clipping machine or the gear wheel due to incorrect lubrication!

- ▶ **Use only gear grease GT605.**
- ▶ **Lubricate the gear wheel 1 to 2 times during the shearing season.**

- ▶ Unlock and remove the lithium ion battery **21**.
- ▶ Remove both screws **14**, see Fig. B.
- ▶ Then turn the cutter head very slightly (about 15°) counterclockwise and remove it from the motor shell.
- ▶ Apply approximately 1 cm of grease on the two opposite points of the gear wheel **12**, see Fig. C.
- ▶ Carefully place the cutter head on the motor. When re-attaching the cutter head, ensure that it is turned 15° counterclockwise in such a way that its lower flange engages with the groove of the motor housing.

Changing the cutter plate

- ▶ Unlock and remove the lithium ion battery **21**.
- ▶ Loosen the knurled nut **11** and adjusting screw **10** by approximately 2 turns, see Fig. A.
- ▶ Loosen both clamp screws **4**, pull off the lower cutter plate **2** forwards and remove the upper cutter plate **3**, see Fig. A and E.
- ▶ Before inserting the upper cutter plate **3**, ensure that the oscillating block **13** is in the intended recess of the oscillator **5**, see Fig. E.
- ▶ Insert the upper cutter plate **3**. When doing so, ensure that both tips **b** of the oscillator **5** engage precisely in the holes **c** of the upper cutter plate **3**, see Fig. D.
- ▶ Push the lower cutter plate **2** below the heads of the clamping screws **4** all the way on to the cutter head shell and screw both clamping screws **4** tight.
- ▶ Tighten the adjusting screw **10** until both cutter plates are pressing slightly against one another, see Fig. A.

Cleaning the cutter head

- ▶ The cutter head must be cleaned at least after each day of clipping time or if it gets dirty.
- ▶ Unlock and remove the Li-ion battery **38**.
- ▶ Remove both screws **6**, see Fig. B.
- ▶ Then turn the cutter head very slightly (about 15°) counterclockwise and remove it from the motor shell.
- ▶ Remove the cutter plates, see Changing the cutter plate.
- ▶ Thoroughly clean the interior part and individual parts of the cutter head using a brush.
- ▶ Insert the cutter plate and tighten, see Changing the cutter plate.
- ▶ Lubricate the gear wheel, see Lubricating the gear wheel.
- ▶ Carefully place the cutter head on the motor. When re-attaching the cutter head, ensure that it is turned 15° counterclockwise in such a way that its lower flange engages with the groove of the motor housing.
- ▶ Lubricate the cutter head, see Lubricating the shearing head.

Adjust plate pressure with GT146 precision adjusting aid (optionally available)

Note

The manufacturer recommends the GT146 precision adjusting aid for optimal adjustment of the plate pressure.

- ▶ Insert GT146 **19** precision adjusting aid into the 2 holes of the adjusting screw **10**

Note

Knurled screws of older shearing heads that do not have 2 holes can be retrofitted with the GT147 adjusting screw.

Aesculap®

Bonum large animal battery-operated clipping machine

Adjusting the plate pressure

Note

The plate pressure must be set with the machine running and without auxiliary tools.

Note

If the plate pressure is too high, this results in the build-up of heat and greater wear to the cutter plates.

- ▶ Loosen the knurled nut **11** and carefully unscrew adjusting screw **10** until the upper cutter plate **3** is no longer pressing against the lower cutter plate **2** (the sound of the motor becomes noticeably higher-pitched, see Fig. A).
- ▶ Screw in the adjusting screw **10** until you feel slight resistance. From this point, keep turning approximately one full turn and then tighten the knurled nut **11**.

Cleaning the cutter head

- ▶ The cutter head must be cleaned at least after each day of clipping time or if it gets dirty.
- ▶ Unlock and remove the lithium ion battery **21**.
- ▶ Remove both screws **14**, see Fig. B.
- ▶ Turn the cutter head very slightly (about 15°) counterclockwise and remove it from the motor shell.
- ▶ Remove cutter plates; see Changing cutter plates.
- ▶ Thoroughly clean the interior part and individual parts of the cutter head using a brush.
- ▶ Insert the cutter plate and tighten, see Changing cutter plates.
- ▶ Grease gear wheel, see Greasing gear wheel.
- ▶ Carefully place the cutter head on the motor. When re-attaching the cutter head, ensure that it is turned 15° counterclockwise in such a way that its lower flange engages with the groove of the motor housing.
- ▶ Lubricating the shearing head, see Lubricating the shearing head

Re-sharpen the cutter plates

- ▶ For sharpening the cutting plate, please contact Technical Service, see Technical Service.

4.6 Storage

- ▶ Clean the clipping machine and cutter plates thoroughly before storing, see Reprocessing.
- ▶ Store the clipping machine in a dry, dark and clean room.

5. Cutter plates

5.1 Cutter plates compatible with cutter head GT647 Cattle version/GT657 Horse version

Art. no.	Designation
GT501	Upper cutter plate with 15 cutting teeth
GT502	Lower cutter plate with 31 cutting teeth 3 mm cutting height
GT503	Upper cutter plate with 17 cutting teeth
GT504	Lower cutter plate with 18 cutting teeth 3 mm cutting height
GT505	Upper cutter plate with 23 cutting teeth
GT506	Lower cutter plate with 23 cutting teeth 3 mm cutting height
GT508	Lower cutter plate with 51 cutting teeth 1 mm cutting height
GT510	Like GT506, but with cutting height of 5 mm
GT511	As GT502, but with cutting height of 1 mm

5.2 Recommended combinations

Combination	Upper/lower plate	Suitable for
closely spaced teeth	GT501/GT502	Cattle and horses (normal configuration)
	GT501/GT511	Industrial shearing
	GT505/GT502	Horses and cattle – smooth standard shearing
	GT505/GT508	Horses, cattle (udder shearing) and industrial shearing
medium spaced teeth	GT505/GT511	Horses and cattle – for very?fine, smooth shearing
	GT505/GT506	Cattle, dogs and goats
widely spaced teeth	GT505/GT510	Dogs and goats
	GT503/GT504	Cattle, sheep and thin-wooled sheep

6. Reprocessing

6.1 Cleaning/disinfection



Risk of electric shock and fire hazard!

- ▶ **Before cleaning:**
 - Remove the mains plug from the charger.
 - Unlock the Li-ion battery and remove from the battery-operated clipping machine.
- ▶ **Do not use flammable or explosive cleaning or disinfecting solutions.**
- ▶ **Ensure that no fluids will penetrate the product.**



Damage to, or destruction of the product caused by mechanical cleaning/disinfection!

- ▶ **Only clean and disinfect the product manually.**
- ▶ **Do not sterilize the product under any circumstances.**



Damage to the product due to inappropriate cleaning/disinfecting agents!

- ▶ **Only use cleaning/disinfecting agents approved for surface cleaning. Follow the manufacturer's instructions for the respective cleaning/disinfecting agent.**
 - ▶ **Never immerse the product in water or detergent.**
 - ▶ **Do not introduce any fluid into the charging bays.**
 - ▶ **Clean the contacts in the charging bay, applying extreme care.**
- ▶ Wipe the shell of the product with a lint-free cloth moistened with a commercial disinfectant for wipe disinfection.
 - ▶ If necessary, after the appropriate exposure time, wipe off any residues of the cleaning/disinfecting agent with a lint-free cloth moistened with clean water.
 - ▶ Dry the product with a clean, lint-free cloth.
 - ▶ Clean the contacts in the charging bay with isopropanol or ethyl alcohol and a cotton swab. Do not use corrosive chemicals.
 - ▶ If necessary, repeat the cleaning/disinfecting process.

Aesculap®

Bonum large animal battery-operated clipping machine

6.2 Inspection and checking

- ▶ Allow the product to cool down to room temperature.
- ▶ Inspect the product after each cleaning and disinfecting cycle to be sure it is: clean, functional, and undamaged.
- ▶ Check the product for any damage, abnormal running noise, overheating or excessive vibration.
- ▶ Inspect the shearing head for broken, damaged or blunt cutting edges.
- ▶ Set aside the product if it is damaged.

7. Maintenance

To ensure reliable operation, Aesculap recommends servicing the product at least once a year.

8. Troubleshooting list

8.1 Bonum battery operated clipping machine

Malfunction	Cause	Remedy
The battery-operated clipping machine does not start	Li-ion battery not loaded	Load Li-ion battery
	Li-ion battery defect	Insert new Li-ion battery
	Li-ion battery not inserted	Insert the Li-ion battery
The battery-operated clipping machine pauses during operation	Li-ion battery deactivated through protective circuit	Switch the battery-operated clipping machine off and on again
	Li-ion battery is empty	Insert new Li-ion battery

8.2 Charger and Li-ion battery

Malfunction	Detection	Cause	Remedy
Charger not working	The "Battery" LED indicator is not lit up	Mains power cord not plugged in	Plug in the mains connection line at the mains power socket.
		Li-ion battery not loaded	Send charger to manufacturer for repair; see Technical Service
	Li-ion battery defect	Send Li-ion battery to manufacturer for repair, see Technical Service	

Malfunction	Detection	Cause	Remedy
Li-ion battery cannot be loaded	Li-ion battery plugged in, charge state indicator does not light up	Charger contacts dirty	Clean the contacts in the charging bay, see Reprocessing
	-	Charger contacts damaged	Send charger to manufacturer for repair, see Technical Service
	-	Li-ion battery defect	Send Li-ion battery to manufacturer for repair, see Technical Service
	-	Charger defect	Send charger to manufacturer for repair, see Technical Service
	-	Too high a temperature is measured in the Li-ion battery during the charging process	Remove the Li-ion battery from the charging bay, leave to cool and repeat the charging process If the problem occurs again, send li-ion battery to manufacturer for repair, see Technical Service
	-	Battery charging error or Li-ion battery defect	Remove the Li-ion battery from the charging bay and repeat the charging process If the problem occurs again, send li-ion battery to manufacturer for repair, see Technical Service

9. Technical Service



Risk of injury and/or malfunction!
► Do not modify the product.

Modifications carried out on this technical equipment may result in loss of guarantee/warranty rights and forfeiture of applicable licenses.

Service addresses

Albert Kerbl GmbH

Felizenzell 9

84428 Buchbach / Germany

Phone: +49 (0) 8086 933-100

Fax: +49 (0) 8086 933-500

Email: info@kerbl.com

www.kerbl.com

Other service addresses can be obtained from the address indicated above.

Bonum large animal battery-operated clipping machine

10. Accessories/Spare parts

Art. no.	Designation	Design	Li-ion battery	Complete charging station	Accessories
GT644-BL	Bonum Cattle version / Set with 1 battery, blue	Europe, except Great Britain	GT641 (3INR19/66-1)	GT643 (LC40)	GT604 Special lubricating oil for cutter plates and cutter head
GT646-BL	Bonum Cattle version / Set with 2 batteries, blue				
GT654-RO	Bonum Horse version / Set with 1 battery, pink				
GT656-RO	Bonum Horse version / Set with 2 batteries, pink				
GT654-BL	Bonum Horse version / Set with 1 battery, blue				
GT656-BL	Bonum Cattle version / Set with 2 batteries, blue				
GT644G-BL	Bonum Cattle version / Set with 1 battery, blue	Great Britain		GT643G (LC40)	GT605 Gear grease (tube)
GT646G-BL	Bonum Cattle version / Set with 2 batteries, blue				
GT654G-RO	Bonum Horse version / Set with 1 battery, pink				
GT656G-RO	Bonum Horse version / Set with 2 batteries, pink				
GT654G-BL	Bonum Horse version / Set with 1 battery, blue				
GT656G-BL	Bonum Cattle version / Set with 2 batteries, blue				
GT644K-BL	Bonum Cattle version / Set with 1 battery, blue	USA		GT643K (LC40)	
GT646K-BL	Bonum Cattle version / Set with 2 batteries, blue				
GT654K-RO	Bonum Horse version / Set with 1 battery, pink				
GT656K-RO	Bonum Horse version / Set with 2 batteries, pink				
GT654K-BL	Bonum Horse version / Set with 1 battery, blue				
GT656K-BL	Bonum Cattle version / Set with 2 batteries, blue				
GT644A-BL	Bonum Cattle version / Set with 1 battery, blue	Australia		GT643A (LC40)	
GT646A-BL	Bonum Cattle version / Set with 2 batteries, blue				
GT654A-RO	Bonum Horse version / Set with 1 battery, pink				
GT656A-RO	Bonum Horse version / Set with 2 batteries, pink				
GT654A-BL	Bonum Horse version / Set with 1 battery, blue				
GT656A-BL	Bonum Cattle version / Set with 2 batteries, blue				

11. Technical data

11.1 Bonum battery operated clipping machine

Stroke rate	max. 2, 500 rpm
Running time with a Li-ion battery	approx. 70 min to 80 min
Nominal voltage	max. 10.8 V
Capacity	max. 2 A
Weight (with shearing head and battery)	950 g

11.2 Charger GT643 (LC40)

Voltage range (current consumption)	220 V to 240 V
Frequency	50 Hz to 60 Hz
Charging voltage/Output voltage	max. 10.8 V
Charging current/Output current	max. 2.3 A
Weight (with cable and power supply unit)	360 g

11.3 Li-ion battery GT621 (31NR19/66-1)

Cell type	Li
Nominal voltage	10.8 V
Capacity	2 Ah
Charging time	approx. 53 min
Weight	190 g
Quality marks	TÜV-Süd, TÜV NRTL (US-C), CE

11.4 For EU countries only



We hereby declare, under sole responsibility, that this product is in conformity with the following norms or norm-defining documents:

2004/108/EC EMC Directive

DIN EN 60335-1

DIN EN 60335-2-8

Safety of household and similar electrical appliances

– general requirements

– for hair shearing machines

Aesculap Suhl GmbH

12. Disposal

Electric tools, accessories and packaging should be handed over for environmentally responsible recycling.

12.1 For EU countries only



Do not throw electric tools in the domestic waste! According to European Directive 2012/19/EU on old electrical and electronic appliances and its implementation in national law, electrical tools that are no longer suitable for use must be separately collected and sent for environmentally responsible recycling.

12.2 Li-ion battery

Do not dispose of Li-ion batteries in domestic waste, fire or water. Defective or used Li-ion batteries must be collected, recycled or disposed of in an environmentally-friendly way according to Directive 2006/66/EC.

13. Two year guarantee

Dear Customer,

Many thanks for choosing one of our products.

For decades, the name Aesculap has stood for proven quality and first-class service. We are known to provide innovative, high-performance products for our customers. Aesculap manufactures high-quality devices and can assure you that it uses high-quality materials and careful manufacturing processes. We would like to point out to you that we are not liable for defects in our products, if these are caused by improper use, normal wear or are caused by the product being improperly used or if inappropriate or not properly functioning third-party products are used.

Parts that are typically subject to wear, and for which we are therefore not liable, are the battery and shearing head. Material defects that do not affect or only negligibly affect the value or function of the product are also excluded from our warranty.

If we are liable under our warranty, we reserve the right to repair or replace the product.

Übersicht

Pos.	Art.-Nr.	Benennung
1	GT647801	1 Scherkopfgehäuse montiert
2	GT502	1 Untere Schneideplatte
3	GT501	1 Obere Schneideplatte (für Rinder)
	GT505	1 Obere Schneideplatte (für Pferde)
4	GT610010	1 Klemmschraube
5	GT367201	1 Schwinger
6	GT367202	2 Führungsstift
7	TA008295	6 Schwingfederblatt
8	GT610307	1 Federbrücke
9	GT367207	2 Fixierschraube
10	GT640225	1 Regulierschraube
11	GT610405	2 Rändelmutter
12	GT640220	1 Welle mit Zahnrad
13	GT610304	1 Schwingklötzchen
14	TA010017	2 Schraube, Kreuz, M4 x 16
15	TA005091	2 Schraube
16	GT367803	1 Distanzteil, rechts
17	GT367802	1 Distanzteil, links
18	GT367804	1 Schwinger montiert
19	GT146	1 Präzisionsjustierhilfe Torqui
20	GT800249	1 Ein-/Aus-Taster (mit LED)
21	GT641 (3INR19/66-1)	1 Li-Ionen-Akku
22	GT643 (LC40)	1 Ladegerät
a	-	1 Ölstelle Akku-Schermaschine
b	-	1 Schwingnuss
c	-	1 Drucklagerhülse
d	-	1 Federring
e	-	1 Gehäusedeckel
f	-	1 Druckstange
g	-	1 Ösenfeder
-	GT604	1 Spezialöl für Scherkopf und Schneideplatten
	GT605	1 Getriebefett (Tube)

Symbole am Produkt



Achtung, allgemeines Warnzeichen
Achtung, Begleitdokumente beachten



Kennzeichnung von Elektro- und Elektronikgeräten entsprechend Richtlinie 2012/19/EU (WEEE), siehe Entsorgung

Inhaltsverzeichnis

1.	Sichere Handhabung	15
2.	Gerätebeschreibung	15
2.1	Lieferumfang	15
2.2	Zum Betrieb erforderliche Komponenten	15
2.3	Verwendungszweck	15
2.4	Funktionsweise	16
3.	Vorbereiten	16
4.	Arbeiten mit Akku-Schermaschine, Ladegerät und Li-Ionen-Akku	16
4.1	Bereitstellen	16
4.2	Funktionsprüfung	16
4.3	Ladegerät anschließen/Li-Ionen-Akku laden	17
4.4	Li-Ionen-Akku wechseln	18
4.5	Handhabung des Scherkopfs	18
4.6	Lagerung	20
5.	Schneideplatten	20
5.1	Schneideplatten passend zu Scherkopf GT647 Rinderversion/GT657 Pferdeversion	20
5.2	Empfohlene Kombinationen	20
6.	Aufbereitung	21
6.1	Reinigung/Desinfektion	21
6.2	Kontrolle und Prüfung	22
7.	Wartung	22
8.	Fehler erkennen und beheben	22
8.1	Akku-Schermaschine Bonum	22
8.2	Ladegerät und Li-Ionen-Akku	22
9.	Technischer Service	23
10.	Zubehör/Ersatzteile	24
11.	Technische Daten	25
11.1	Akku-Schermaschine Bonum	25
11.2	Ladegerät GT643 (LC40)	25
11.3	Li-Ionen-Akku GT621 (3INR19/66-1)	25
11.4	Konformitätserklärung	25
12.	Entsorgung	25

12.1	Nur für EU-Länder.....	25
12.2	Li-Ionen-Akku	25
13.	2 Jahre Gewährleistung	25

1. Sichere Handhabung



Lebensgefahr durch elektrischen Stromschlag!

- ▶ **Produkt nicht öffnen.**
- ▶ **Produkt nur an ein Versorgungsnetz mit Schutzleiter anschließen.**

- ▶ Vor der Anwendung des Produkts Funktionsfähigkeit und ordnungsgemäßen Zustand prüfen.
- ▶ Ladegerät und Li-Ionen-Akkus bei Raumtemperatur aufbewahren.
- ▶ Ladegerät und Li-Ionen-Akkus trocken halten.
- ▶ Vor dem ersten Einsatz Li-Ionen-Akkus laden.
- ▶ Um Schäden durch unsachgemäßen Aufbau oder Betrieb zu vermeiden und die Gewährleistung und Haftung nicht zu gefährden:
 - Produkt nur gemäß dieser Gebrauchsanweisung verwenden.
 - Sicherheitsinformationen und Instandhaltungshinweise einhalten.
 - Nur Aesculap-Produkte miteinander kombinieren.
- ▶ Gebrauchsanweisung für den Anwender zugänglich aufbewahren.
- ▶ Gültige Normen einhalten.
- ▶ Sicherstellen, dass die elektrische Installation des Raums den IEC-Anforderungen entspricht.
- ▶ Netzverbindungen durch ziehen am Gerätestecker lösen, nie durch Ziehen am Kabel.
- ▶ Produkt nicht in explosionsgefährdeten Bereichen einsetzen.
- ▶ Kein beschädigtes oder defektes Produkt verwenden. Beschädigtes Produkt sofort aussortieren.

2. Gerätebeschreibung

2.1 Lieferumfang

Art.-Nr.	Bezeichnung
GT640-BL	Bonum Großtierschermaschine für Rinder, blau
GT640-RO	Bonum Großtierschermaschine für Pferde, rose
GT641 (3INR19/66-1)	Li-Ionen-Akku
GT643 (LC40)	Ladegerät inkl. Netzanschlussleitung (mit Gerätestecker)
TA015304	Gebrauchsanweisung
TA009222	Schraubendreher
GT604	Ölflasche

2.2 Zum Betrieb erforderliche Komponenten

- Akku-Schermaschine Bonum
- Ladegerät
- Netzanschlussleitung (mit Gerätestecker)
- Li-Ionen-Akku

2.3 Verwendungszweck

Akku-Schermaschine Bonum

Die Akku-Schermaschine Bonum wird zum Scheren von Großtieren wie Rinder, Pferden und großen Hunden verwendet.

Ladegerät GT643 (LC40)/Li-Ionen-Akku GT641 (3INR19/66-1)

Das Ladegerät GT643 (LC40) wird zum Laden des Li-Ionen-Akkus GT641 (3INR19/66-1) eingesetzt.

Aesculap®

Bonum Großtierakkuschermaschine

2.4 Funktionsweise

Akku-Schermaschine Bonum

Die Akku-Schermaschine Bonum wird mit dem Ein-/Aus-Taster **20** ein- und ausgeschaltet.

Hinweis

Um ein versehentliches Ein-/Ausschalten der Maschine zu vermeiden, reagiert der Ein-/Aus-Taster erst nach einer Betätigung >0,5 s.

Ladegerät GT643 (LC40)/Li-Ionen-Akku GT641 (3INR19/66-1)

Das Ladegerät GT643 (LC40) ist für einen Netzspannungsbereich von 220 V bis 240 V und von 50 Hz bis 60 Hz konzipiert.

Zur Herstellung der Betriebsbereitschaft wird das Ladegerät GT643 (LC40) mit dem Netzstecker an das Versorgungsnetz angeschlossen.

Das Ladegerät GT643 (LC40) verfügt über einen Ladeschacht.

Mit dem Einstecken des Li-Ionen-Akkus in die Ladestation startet der Ladevorgang automatisch.

Die Ladezeit hängt vom Ladezustand und der Kapazität des Li-Ionen-Akkus ab.

Ladepinzipp

Die Li-Ionen-Akkus werden mit konstanten Stromimpulsen aufgeladen.

Der Ladezustand des Li-Ionen-Akkus wird während der Aufladung überwacht. Durch die Überwachung der Ladekurve wird eine 100 %-Ladung ohne Überladung sichergestellt.

Zusätzlich werden Akku-Temperatur und Ladezeit überwacht.

Die Ladezustandsanzeige **f** des Li-Ionen-Akkus hat 5 LEDs. Jede LED steht für 20 % Ladevolumen. Befindet sich der Akku im Ladevorgang, blinkt die LED des jeweiligen Ladezustands. Wenn alle LEDs dauerhaft leuchten, ist der Akku vollständig geladen.

Ladezeit

Bei Erreichen der maximalen Ladezeit wird der Ladevorgang abgebrochen. Die Ladezeit beträgt ca. 53 min.

3. Vorbereiten

Wenn die folgenden Vorschriften nicht beachtet werden, übernimmt Aesculap insoweit keinerlei Verantwortung.

- ▶ Beim Aufstellen und Betrieb des Produkts einhalten:
 - die nationalen Installations- und Betreiber-Vorschriften,
 - die nationalen Vorschriften über Brand- und Explosionsschutz,
 - Anwendungshinweise gemäß IEC-/VDE-Bestimmungen.

4. Arbeiten mit Akku-Schermaschine, Ladegerät und Li-Ionen-Akku

4.1 Bereitstellen

Zubehör anschließen

Zubehöorkombinationen, die nicht in der Gebrauchsanweisung erwähnt sind, dürfen nur verwendet werden, wenn sie ausdrücklich für die vorgesehene Anwendung bestimmt sind. Leistungsmerkmale sowie Sicherheitsanforderungen dürfen nicht nachteilig beeinflusst werden.

4.2 Funktionsprüfung

Akku-Schermaschine Bonum

- ▶ Sichtprüfung durchführen.
- ▶ Li-Ionen-Akku **21** in den Maschinenschacht schieben bis er einrastet.
- ▶ Die Betriebsanzeige **d** zeigt den Ladezustand an.

Hinweis

Um zu verhindern dass sich der Li-Ionen-Akku bei Nichtgebrauch der Maschine entlädt, wird die elektronische Verbindung des Li-Ionen-Akku zur Steuerung der Akku-Schermaschine nach 1 h getrennt.

- ▶ Li-Ionen-Akku **38** reaktivieren: Taster **g** betätigen, siehe Abb. E. Alle LEDs der Ladezustandsanzeige **f** leuchten auf.

Ladegerät/Li-Ionen-Akku

- ▶ Sichtprüfung durchführen.
- ▶ Vor Anschluss des Produkts an das Versorgungsnetz:
 - Netzanschlussleitung auf mögliche Beschädigungen prüfen.
 - Produkt auf mögliche Beschädigungen prüfen (z. B. Kontakte des Ladeschachts auf verbogene Kontakte prüfen).
- ▶ Netzstecker in Steckdose des Versorgungsnetzes stecken.
- ▶ Li-Ionen-Akku 21 in Ladeschacht des Ladegeräts stellen und aufladen, siehe Abb. F.



Zerstörung von Produkt, Ladeschacht oder Li-Ionen-Akku durch Stecken eines falschen Akkutyps in den Ladeschacht!

- ▶ **Li-Ionen-Akku nur in den dafür vorgesehenen Ladeschacht stecken.**

4.3 Ladegerät anschließen/Li-Ionen-Akku laden



Brandgefahr bei Kurzschluss der Pole durch Flüssigkeiten oder Metallteile!

- ▶ **Li-Ionen-Akku nicht kurzschließen.**



Verletzungsgefahr durch beschädigte Netzanschlussleitung!

- ▶ **Netzanschlussleitung vor dem Laden auf Beschädigungen prüfen.**
- ▶ **Beschädigte Netzanschlussleitung durch Hersteller ersetzen lassen.**



Verletzungsgefahr und Sachschäden durch beschädigten Li-Ionen-Akku!

- ▶ **Li-Ionen-Akku vor dem Laden auf Beschädigungen prüfen.**
- ▶ **Beschädigten Li-Ionen-Akku nicht verwenden oder aufladen.**



Verlust der Kapazität/Leistungsfähigkeit des entladenen Li-Ionen-Akku durch längere Lagerung!

- ▶ **Li-Ionen-Akku bei längerer Lagerung nur vollgeladen einlagern und einmal pro Monat nachladen.**

Hinweis

Vor der Inbetriebnahme, sollte sichergestellt werden, dass die auf dem Typenschild angegebene Netzspannung und Netzfrequenz mit den Daten des Stromnetzes übereinstimmt. Bei Anschluss des Ladegeräts wird empfohlen, mindestens Fehlerstromschutzschalter des Typs F mit einem Auslösestrom von max. 30 mA zu verwenden.

Hinweis

Das Ladegerät kann von Kindern ab 8 Jahren und darüber sowie von Personen mit verringerten physischen, sensorischen oder mentalen Fähigkeiten oder Mangel an Erfahrung und Wissen benutzt werden, wenn Sie beaufsichtigt oder bezüglich des sicheren Gebrauchs des Gerätes unterwiesen wurden und die daraus resultierenden Gefahren verstehen.

- ▶ Kinder nicht mit dem Gerät spielen lassen.
- ▶ Reinigung und Wartung des Ladegeräts nicht von Kindern ohne Beaufsichtigung durchführen lassen.

Aesculap®

Bonum Großtierakkuschermaschine

Hinweis

Der Li-Ionen-Akku erwärmt sich leicht beim Ladevorgang.

Hinweis

Wenn nicht mit dem Ladegerät gearbeitet wird, muss die Netzanschlussleitung von der Steckdose getrennt werden.

- ▶ Nur Aesculap Ladegerät GT643 (LC40) zum Aufladen der Li-Ionen-Akkus verwenden.
- ▶ Netzstecker des Ladegeräts **22** einstecken.
Die LED der Betriebsanzeige **d** und die LED der Warnanzeige **e** leuchten nacheinander für ca. 1 Sekunde, siehe Abb. F.
- ▶ Li-Ionen-Akku **21** bis zum Anschlag in den Ladeschacht des Ladegeräts **22** einstecken, siehe Abb. F.
Die LED der Betriebsanzeige **d** blinkt und der Li-Ionen-Akku **21** wird geladen.
Wenn die LED der Betriebsanzeige **d** dauerhaft leuchtet, ist der Li-Ionen-Akku vollständig geladen.

4.4 Li-Ionen-Akku wechseln

- ▶ Akku-Schermaschine **g** mit dem Scherkopf nach unten halten, damit der Li-Ionen-Akku **21** beim Lösen nicht herunterfällt, siehe Abb. 1.
- ▶ Akkuverriegelung **f** mit dem Daumen lösen.



Abb. 1

- ▶ Li-Ionen-Akku **21** herausziehen, laden und/oder geladenen Ersatz-Li-Ionen-Akku GT641 (3INR19/66-1) in Akku-Schermaschine **g** schieben, siehe Abb. 2.



Abb. 2

4.5 Handhabung des Scherkopfs

Scherkopf ölen



Beschädigung der Schermaschine oder des Scherkopfs durch falsches Ölen!

- ▶ Scherkopf nur bei laufender Maschine ölen.
- ▶ Maschine und Scherkopf nicht in Flüssigkeiten tauchen.
- ▶ Nur Leichtschmieröl GT604 verwenden.

- ▶ Scherkopf über Ölstelle **a** vor jedem Tier reichlich ölen, siehe Abb. A.
- ▶ Federblätter **7** 2–3 mal täglich mit 3–4 Tropfen Öl ölen, siehe Abb. C.

Zahnrad fetten



Beschädigung der Schermaschine oder des Zahnrads durch falsches Fetten!

- ▶ Nur Getriebefett GT605 verwenden.
- ▶ Zahnrad 1–2 mal je Schursaison fetten.

- ▶ Li-Ionen-Akku 21 entriegeln und entfernen.
- ▶ Beide Schrauben 14 herausdrehen, siehe Abb. B.
- ▶ Bei Blick auf den Scherkopf diesen um ca. 15° nach links verdrehen und vom Motorgehäuse abnehmen.
- ▶ Ca. 1 cm Fett auf zwei gegenüberliegende Stellen des Zahnrades 12 auftragen, siehe Abb. C.
- ▶ Scherkopf vorsichtig auf den Motor stecken. Dabei sicherstellen, dass der Scherkopf um ca. 15° nach links verdreht aufgesteckt wird und die untere Nase in die Nut des Motorgehäuses greift.

Schneideplatten wechseln

- ▶ Li-Ionen-Akku 21 entriegeln und entfernen.
- ▶ Rändelmutter 11 lösen und Regulierschraube 10 ca. 2 Umdrehungen herausdrehen, siehe Abb. A.
- ▶ Beide Klemmschrauben 4 lösen, die untere Schneideplatte 2 nach vorn abziehen und die obere Schneideplatte 3 entnehmen, siehe Abb. A und Abb. E.
- ▶ Vor dem Einlegen der oberen Schneideplatte 3 sicherstellen, dass sich Schwingklötzchen 13 in der dafür vorgesehenen Aussparung des Schwingers 5 befindet, siehe Abb. E.
- ▶ Obere Schneideplatte 3 einsetzen. Dabei sicherstellen, dass beide Spitzen b des Schwingers 5 genau in die Bohrungen c der oberen Schneideplatte 3 eingreifen, siehe Abb. D.
- ▶ Untere Schneideplatte 2 unter den Köpfen der Klemmschrauben 4 bis zum Anschlag an das Scherkopfgehäuse schieben und beide Klemmschrauben 4 festziehen.
- ▶ Regulierschraube 10 eindrehen bis beide Schneideplatten leicht aufeinander drücken, siehe Abb. A.

Scherkopf reinigen

- ▶ Scherkopf mindestens nach einigen Tagen Schurzeit oder bei Verschmutzung reinigen.
- ▶ Li-Ionen-Akku 38 entriegeln und entfernen.
- ▶ Beide Schrauben 6 herausdrehen, siehe Abb. B.
- ▶ Bei Blick auf den Scherkopf diesen um ca. 15° nach links verdrehen und vom Motorgehäuse abnehmen.
- ▶ Schneideplatten abnehmen, siehe Schneideplatten wechseln.
- ▶ Innenraum und Einzelteile des Scherkopfs gründlich mit einer Bürste oder einem Pinsel reinigen.
- ▶ Schneideplatten einlegen und festziehen, siehe Schneideplatten wechseln.
- ▶ Zahnrad fetten, siehe Zahnrad fetten.
- ▶ Scherkopf vorsichtig auf den Motor stecken. Dabei sicherstellen, dass der Scherkopf um ca. 15° nach links verdreht aufgesteckt wird und die untere Nase in die Nut des Motorgehäuses greift.
- ▶ Scherkopf ölen, siehe Scherkopf ölen.

Plattendruck mit Präzisionsjustierhilfe GT146 einstellen (optional erhältlich)

Hinweis

Der Hersteller empfiehlt zum optimalen Einstellen des Plattendrucks die Präzisionsjustierhilfe GT146.

- ▶ Präzisionsjustierhilfe GT146 19 in die 2 Löcher der Regulierschraube 10 stecken

Hinweis

Rändelschrauben älterer Scherköpfe, die nicht 2 Löcher haben, können mit der Regulierschraube GT147 nachgerüstet werden.

Aesculap®

Bonum Großtierakkuschermaschine

Plattendruck einstellen

Hinweis

Die Einstellung des Plattendrucks muss bei laufender Maschine und ohne Hilfswerkzeuge erfolgen.

Hinweis

Ein zu hoher Plattendruck führt zu hoher Erwärmung und einem größeren Verschleiß der Schneideplatten.

- ▶ Rändelmutter **11** lösen und Regulierschraube **10** vorsichtig herausdrehen, bis die obere Schneideplatte **3** nicht mehr auf die untere Schneideplatte **2** gedrückt wird (heller Laufton), siehe Abb. A.
- ▶ Regulierschraube **10** hineindrehen, bis ein leichter Widerstand spürbar wird. Ab hier noch ca. eine Umdrehung weiterdrehen und danach Rändelmutter **11** anziehen.

Scherkopf reinigen

- ▶ Scherkopf mindestens nach einigen Tagen Schurzeit oder bei Verschmutzung reinigen.
- ▶ Li-Ionen-Akku **21** entriegeln und entfernen..
- ▶ Beide Schrauben **14** herausdrehen, siehe Abb. B.
- ▶ Mit Blick auf den Scherkopf diesen um ca. 15° nach links verdrehen und vom Motorgehäuse abnehmen.
- ▶ Schneideplatten abnehmen, siehe Schneideplatten wechseln.
- ▶ Innenraum und Einzelteile des Scherkopfs gründlich mit einer Bürste oder einem Pinsel reinigen.
- ▶ Schneideplatten einlegen und festziehen, siehe Schneideplatten wechseln.
- ▶ Zahnrad fetten, siehe Zahnrad fetten.
- ▶ Scherkopf vorsichtig auf den Motor stecken. Dabei sicherstellen, dass der Scherkopf um ca. 15° nach links verdreht aufgesteckt wird und die untere Nase in die Nut des Motorgehäuses greift.
- ▶ Scherkopf ölen siehe Scherkopf ölen

Schneideplatten nachschleifen

- ▶ Zum Nachschleifen der Schneideplatten an den Technischen Service wenden, siehe Technischer Service.

4.6 Lagerung

- ▶ Schermaschine und Schneideplatten vor der Lagerung gut reinigen, siehe Aufbereitung.
- ▶ Schermaschine in einem trockenen, dunklen und sauberen Raum lagern.

5. Schneideplatten

5.1 Schneideplatten passend zu Scherkopf GT647 Rinderversion/GT657 Pferdeversion

Art.-Nr.	Bezeichnung
GT501	Obere Schneideplatte mit 15 Zähnen
GT502	Untere Schneideplatte mit 31 Zähnen, Schnitthöhe 3 mm
GT503	Obere Schneideplatte mit 17 Zähnen
GT504	Untere Schneideplatte mit 18 Zähnen, Schnitthöhe 3 mm
GT505	Obere Schneideplatte mit 23 Zähnen
GT506	Untere Schneideplatte mit 23 Zähnen, Schnitthöhe 3 mm
GT508	Untere Schneideplatte mit 51 Zähnen, Schnitthöhe 1 mm
GT510	wie GT506, jedoch Schnitthöhe 5 mm
GT511	wie GT502, jedoch Schnitthöhe 1 mm

5.2 Empfohlene Kombinationen

Kombination	Ober-/Unterplatte	Geeignet für
eng gezahnt	GT501/GT502	Rinder und Pferde (Normalausstattung)
	GT501/GT511	Industrielle Schur
	GT505/GT502	Pferde und Rinder – glatte-Standardstur
	GT505/GT508	Pferde, Rinder (Euterschur) und industrielle Schur
mittel gezahnt	GT505/GT511	Pferde und Rinder – für sehrfeine, glatte Schur
	GT505/GT506	Rinder, Hunde und Ziegen
weit gezahnt	GT505/GT510	Hunde und Ziegen
	GT503/GT504	Rinder, Schafe und feinwollige Schafe

6. Aufbereitung

6.1 Reinigung/Desinfektion



Stromschlag- und Brandgefahr!

- ▶ Vor der Reinigung:
 - Netzstecker vom Ladegerät ziehen.
 - Li-Ionen-Akku entriegeln und aus Akku-Schermaschine entfernen.
- ▶ Keine brennbaren und explosiven Reinigungs- und Desinfektionsmittel verwenden.
- ▶ Sicherstellen, dass keine Flüssigkeit in das Produkt eindringt.



Beschädigung oder Zerstörung des Produkts durch maschinelle Reinigung/Desinfektion!

- ▶ Produkt nur manuell reinigen/desinfizieren.
- ▶ Produkt niemals sterilisieren.



Schäden am Produkt durch ungeeignete Reinigungs-/Desinfektionsmittel!

- ▶ Für die Flächenreinigung zugelassene Reinigungs-/Desinfektionsmittel nach Anweisung des Herstellers verwenden.
 - ▶ Produkt nie in Wasser oder Reinigungsmittel legen.
 - ▶ Keine Flüssigkeit in die Ladeschächte einbringen.
 - ▶ Kontakte im Ladeschacht mit größter Sorgfalt reinigen.
-
- ▶ Gehäuse des Produkts mit einem flusenfreien Tuch, das mit einem handelsüblichen Mittel zur Wischdesinfektion befeuchtet ist, abwischen.
 - ▶ Bei Bedarf Rückstände des Reinigungs- und Desinfektionsmittels nach dessen Einwirkzeit mit einem in sauberem Wasser angefeuchteten, flusenfreien Tuch abwischen.
 - ▶ Zum Trocknen sauberes, flusenfreies Tuch verwenden.
 - ▶ Kontakte in den Ladeschächten mit Isopropanol bzw. Äthylalkohol und einem Wattestäbchen reinigen. Keine korrosionsfördernden Chemikalien verwenden.
 - ▶ Falls nötig, Reinigung/Desinfektion wiederholen.

Aesculap®

Bonum Großtierakkuschermaschine

6.2 Kontrolle und Prüfung

- ▶ Produkt auf Raumtemperatur abkühlen lassen.
- ▶ Produkt nach jeder Reinigung und Desinfektion prüfen auf: Sauberkeit, Funktion und Beschädigung.
- ▶ Produkt auf Beschädigungen, unregelmäßige Laufgeräusche, übermäßige Erwärmung oder zu starke Vibration prüfen.
- ▶ Scherkopf auf abgebrochene, beschädigte und stumpfe Schneiden kontrollieren.
- ▶ Beschädigtes Produkt sofort aussortieren.

7. Wartung

Um einen zuverlässigen Betrieb zu gewährleisten, empfiehlt Aesculap eine Wartung **mindestens einmal jährlich**.

8. Fehler erkennen und beheben

8.1 Akku-Schermaschine Bonum

Störung	Ursache	Behebung
Akku-Schermaschine läuft nicht an	Li-Ionen-Akku nicht geladen	Li-Ionen-Akku laden
	Li-Ionen-Akku defekt	Neuen Li-Ionen-Akku einsetzen
	Li-Ionen-Akku nicht eingesetzt	Li-Ionen-Akku einsetzen
Akku-Schermaschine bleibt während des Betriebs stehen	Li-Ionen-Akku durch Schutzschaltung abgeschaltet	Akku-Schermaschine aus- und einschalten
	Li-Ionen-Akku ist leer	Neuen Li-Ionen-Akku einsetzen

8.2 Ladegerät und Li-Ionen-Akku

Störung	Erkennung	Ursache	Behebung
Ladegerät ohne Funktion	LED-Anzeige "Akku" leuchtet nicht	Netzanschlussleitung nicht eingesteckt	Netzanschlussleitung in die Steckdose des Versorgungsnetzes stecken
		Li-Ionen-Akku nicht geladen	Ladegerät beim Hersteller instand setzen lassen, siehe Technischer Service
	Li-Ionen-Akku defekt	Li-Ionen-Akku beim Hersteller instand setzen lassen, siehe Technischer Service	

Störung	Erkennung	Ursache	Behebung
Li-Ionen-Akku wird nicht geladen	Li-Ionen-Akku eingesteckt, Ladezustandsanzeige leuchtet nicht	Kontakte des Ladegeräts verschmutzt	Kontakte im Ladeschacht reinigen, siehe Aufbereitung
	-	Kontakte des Ladegeräts beschädigt	Ladegerät beim Hersteller instand setzen lassen, siehe Technischer Service
	-	Li-Ionen-Akku defekt	Li-Ionen-Akku beim Hersteller instand setzen lassen, siehe Technischer Service
	-	Ladegerät defekt	Ladegerät beim Hersteller instand setzen lassen, siehe Technischer Service
	-	Während des Ladevorgangs wird im Li-Ionen-Akku eine zu hohe Temperatur gemessen	Li-Ionen-Akku aus Ladeschacht nehmen, abkühlen lassen und Ladevorgang wiederholen Bei erneuter Störung: Li-Ionen-Akku beim Hersteller instand setzen lassen, siehe Technischer Service
	-	Ladestörung bzw. Li-Ionen-Akku defekt	Li-Ionen-Akku aus Ladeschacht nehmen und Ladevorgang wiederholen Bei erneuter Störung: Li-Ionen-Akku beim Hersteller instand setzen lassen, siehe Technischer Service

9. Technischer Service



Verletzungsgefahr und/oder Fehlfunktion!

► Produkt nicht modifizieren.

Modifikationen an dieser technischen Ausrüstung können zu einem Verlust der Garantie-/Gewährleistungsansprüche sowie eventueller Zulassungen führen.

Service-Adressen

Albert Kerbl GmbH

Felizenzell 9

84428 Buchbach / Germany

Phone: +49 (0) 8086 933-100

Fax: +49 (0) 8086 933-500

E-Mail: info@kerbl.com

www.kerbl.com

Weitere Service-Adressen erfahren Sie über die oben genannte Adresse.

10. Zubehör/Ersatzteile

Art.-Nr.	Bezeichnung	Ausführung	Li-Ionen-Akku	Ladestation komplett	Zubehör
GT644-BL	Bonum Rinderversion / Set mit 1 Akku, blau	Europa außer Großbritannien	GT641 (31NR19/66-1)	GT643 (LC40)	GT604 Spezialöl für Schneideplat- ten und Scher- kopf
GT646-BL	Bonum Rinderversion / Set mit 2 Akkus, blau				
GT654-RO	Bonum Pferdeversion / Set mit 1 Akku, rose				
GT656-RO	Bonum Pferdeversion / Set mit 2 Akkus, rose				
GT654-BL	Bonum Pferdeversion / Set mit 1 Akku, blau				
GT656-BL	Bonum Pferdeversion / Set mit 2 Akkus, blau				
GT644G-BL	Bonum Rinderversion / Set mit 1 Akku, blau	Großbritannien		GT643G (LC40)	GT605 Getriebefett (Tube)
GT646G-BL	Bonum Rinderversion / Set mit 2 Akkus, blau				
GT654G-RO	Bonum Pferdeversion / Set mit 1 Akku, rose				
GT656G-RO	Bonum Pferdeversion / Set mit 2 Akkus, rose				
GT654G-BL	Bonum Pferdeversion / Set mit 1 Akku, blau				
GT656G-BL	Bonum Pferdeversion / Set mit 2 Akkus, blau				
GT644K-BL	Bonum Rinderversion / Set mit 1 Akku, blau	USA		GT643K (LC40)	
GT646K-BL	Bonum Rinderversion / Set mit 2 Akkus, blau				
GT654K-RO	Bonum Pferdeversion / Set mit 1 Akku, rose				
GT656K-RO	Bonum Pferdeversion / Set mit 2 Akkus, rose				
GT654K-BL	Bonum Pferdeversion / Set mit 1 Akku, blau				
GT656K-BL	Bonum Pferdeversion / Set mit 2 Akkus, blau				
GT644A-BL	Bonum Rinderversion / Set mit 1 Akku, blau	Australien		GT643A (LC40)	
GT646A-BL	Bonum Rinderversion / Set mit 2 Akkus, blau				
GT654A-RO	Bonum Pferdeversion / Set mit 1 Akku, rose				
GT656A-RO	Bonum Pferdeversion / Set mit 2 Akkus, rose				
GT654A-BL	Bonum Pferdeversion / Set mit 1 Akku, blau				
GT656A-BL	Bonum Pferdeversion / Set mit 2 Akkus, blau				

11. Technische Daten

11.1 Akku-Schermaschine Bonum

Hubzahl	max. 2 500 1/min
Laufzeit mit einem Li-Ionen-Akku	ca. 70 min bis 80 min
Nominale Spannung	max. 10,8 V
Kapazität	max. 2 A
Gewicht (mit Scherkopf und Akku)	950 g

11.2 Ladegerät GT643 (LC40)

Netzspannungsbereiche (Stromaufnahme)	220 V bis 240 V
Frequenz	50 Hz bis 60 Hz
Lade-/Ausgangsspannung	max. 10,8 V
Lade-/Ausgangsstrom	max. 2,3 A
Gewicht (mit Kabel und Netzteil)	360 g

11.3 Li-Ionen-Akku GT621 (3INR19/66-1)

Zellentyp	Li
Nominalspannung	10,8 V
Kapazität	2 Ah
Ladezeit	ca. 53 min
Gewicht	190 g
Prüfzeichen	TÜV-Süd, TÜV NRTL (US-C), CE

11.4 Konformitätserklärung



Wir erklären in alleiniger Verantwortung, dass dieses Produkt mit den folgenden Normen oder normativen Dokumenten übereinstimmt:

2004/108/EG EMV-Richtlinie:

DIN EN 60335-1

DIN EN 60335-2-8

Sicherheit elektrischer Geräte für den Hausgebrauch und ähnliche Zwecke

– allgemeine Anforderungen

– für Haarschneidemaschinen

Aesculap Suhl GmbH

12. Entsorgung

Elektrowerkzeuge, Zubehör und Verpackung sollen einer umweltgerechten Wiederverwertung zugeführt werden.

12.1 Nur für EU-Länder



Werfen Sie Elektrowerkzeuge nicht in den Hausmüll! Gemäß der Europäischen Richtlinie 2012/19/EU über Elektro- und Elektronik-Altgeräte und ihrer Umsetzung in nationales Recht müssen nicht mehr gebrauchsfähige Elektrowerkzeuge getrennt gesammelt und einer umweltgerechten Wiederverwertung zugeführt werden.

12.2 Li-Ionen-Akku

Li-Ionen-Akkus nicht in den Hausmüll, ins Feuer oder Wasser werfen. Defekte oder verbrauchte Li-Ionen-Akkus müssen gemäß der Richtlinie 2006/66/EG gesammelt, recycelt oder auf umweltfreundliche Weise entsorgt werden.

13. 2 Jahre Gewährleistung

Sehr geehrte Kundin, sehr geehrter Kunde, herzlichen Dank, dass Sie sich für ein Produkt aus unserem Hause entschieden haben.

Der Name Aesculap steht seit Jahrzehnten für geprüfte Qualität und erstklassigen Service. Unseren Kunden bieten wir innovative und leistungsfähige Produkte. Aesculap stellt hochwertige Geräte her und sichert Ihnen die Verwendung hochwertigen Materials und sorgfältiger Herstellung zu. Gerne möchten wir Sie darauf hinweisen, dass wir für Sachmängel unserer Produkte nicht haften, wenn diese durch unsachgemäßen Gebrauch, normalen Verschleiß oder dadurch entstehen, dass das Produkt unsachgemäß verwendet wird oder nicht passende oder nicht einwandfrei funktionierende Fremdprodukte eingesetzt werden.

Teile, die typischerweise dem Verschleiß unterliegen, und für die wir deshalb nicht haften, sind der Akku und der Scherkopf. Ebenfalls ausgenommen sind Sachmängel, die den Wert oder die Funktion nicht oder nur unerheblich beeinflussen.

Sollten wir im Rahmen unserer Gewährleistung haften, behalten wir uns vor, das Produkt zu reparieren oder auszutauschen.

Aesculap®

Tondeuse à accu pour grands animaux Bonum

Vue d'ensemble

Repère	Réf.	Désignation
1	GT647801	1 Boîtier de tête de tonte monté
2	GT502	1 Peigne
3	GT501	1 Contre-peigne (pour bovins)
	GT505	1 Contre-peigne (pour chevaux)
4	GT610010	1 Vis de blocage
5	GT367201	1 Oscillateur
6	GT367202	2 Broche de guidage
7	TA008295	6 Lame de ressort d'oscillation
8	GT610307	1 Pont élastique
9	GT367207	2 Vis de fixation
10	GT640225	1 Vis de réglage
11	GT610405	2 Ecrou moleté
12	GT640220	1 Arbre à pignon
13	GT610304	1 Plot d'oscillation
14	TA010017	2 Vis cruciforme, M4 x 16
15	TA005091	2 Vis
16	GT367803	1 Entretoise droite
17	GT367802	1 Entretoise gauche
18	GT367804	1 Oscillateur monté
19	GT146	1 Outil d'ajustage de précision Torqui
20	GT800249	1 Bouton marche/arrêt (avec DEL)
21	GT641 (31NR19/66-1)	1 Accu Li-ion
22	GT643 (LC40)	1 Chargeur
a	-	1 Point de lubrification de tondeuse à accu
b	-	1 Douille oscillante
c	-	1 Manchon de palier de butée
d	-	1 Rondelle-ressort
e	-	1 Couvercle du boîtier
f	-	1 Barre de compression
g	-	1 Ressort à œillet
-	GT604	1 Huile spéciale pour tête de tonte et peignes et contre-peignes
-	GT605	1 Graisse d'engrenage (tube)

Symboles sur le produit



Attention, symbole général de mise en garde
Attention, tenir compte des documents d'accompagnement



Marquage des appareils électriques et électroniques conformément à la directive 2012/19/UE (DEEE), voir Élimination

Sommaire

1.	Manipulation sûre	27
2.	Description de l'appareil	27
2.1	Etendue de la livraison	27
2.2	Composants nécessaires à l'utilisation	27
2.3	Champ d'application	27
2.4	Mode de fonctionnement	28
3.	Préparation	28
4.	Utilisation de la tondeuse à accu, du chargeur et de l'accu Li-ion	28
4.1	Mise à disposition	28
4.2	Vérification du fonctionnement	28
4.3	Recharge de l'accu Li-ion	29
4.4	Changement d'accu Li-ion	30
4.5	Manipulation de la tête de tonte	30
4.6	Stockage	32
5.	Peignes et contre-peignes	32
5.1	Peignes pour la tête de tonte GT647 version bovins/GT657 version chevaux	32
5.2	Combinaisons recommandées	32
6.	Traitement	33
6.1	Nettoyage/décontamination	33
6.2	Contrôle et vérification	34
7.	Maintenance	34
8.	Identification et élimination des pannes	34
8.1	Tondeuse à accu Bonum	34
8.2	Chargeur et accu Li-ion	34
9.	Service Technique	35
10.	Accessoires/pièces de rechange	36
11.	Caractéristiques techniques	37
11.1	Tondeuse à accu Bonum	37
11.2	Chargeur GT643 (LC40)	37
11.3	Accu Li-ion GT621 (31NR19/66-1)	37
11.4	Déclaration de conformité	37
12.	Élimination	37

12.1	Uniquement pour les pays de l'UE.....	37
12.2	Accu Li-ion	37
13.	2 ans de garantie	37

1. Manipulation sûre



Danger mortel par électrocution!

- ▶ Ne pas ouvrir le produit.
- ▶ Ne raccorder le produit qu'à un réseau d'alimentation avec fil de protection.

- ▶ Vérifiez le bon fonctionnement et le bon état du produit avant de l'utiliser.
- ▶ Stocker le chargeur et les accus Li-ion à température ambiante..
- ▶ Maintenir le chargeur et les accus Li-ion au sec.
- ▶ Charger les accus Li-ion avant la première utilisation.
- ▶ Pour éviter les dommages provoqués par un montage ou une utilisation incorrects et ne pas remettre en cause les droits à prestations de garantie et la responsabilité:
 - N'utiliser ce produit que conformément au présent mode d'emploi.
 - Respecter les informations sur la sécurité et les consignes de maintenance.
 - Ne combiner entre eux que des produits Aesculap.
- ▶ Le mode d'emploi doit être conservé en un lieu accessible à l'utilisateur.
- ▶ Respecter les normes en vigueur.
- ▶ Veiller à ce que l'installation électrique du local soit conforme aux prescriptions CEI.
- ▶ Pour débrancher l'appareil du secteur, tirer sur la fiche de l'appareil et jamais sur le câble.
- ▶ Ne pas utiliser le produit dans des zones à risque d'explosion.
- ▶ Ne jamais utiliser un produit endommagé ou défectueux. Mettre immédiatement au rebut le produit endommagé.

2. Description de l'appareil

2.1 Etendue de la livraison

Art. n°	Désignation
GT640-BL	Tondeuse à accu pour grands animaux Bonum pour bovins, bleue
GT640-RO	Tondeuse à accu pour grands animaux Bonum pour chevaux, rose
GT641 (3INR19/66-1)	Accu Li-ion
GT643 (LC40)	Chargeur avec câble d'alimentation électrique (avec fiche côté appareil)
TA015304	Mode d'emploi
TA009222	Tournevis
GT604	Bouteille d'huile

2.2 Composants nécessaires à l'utilisation

- Tondeuse à accu Bonum
- Chargeur
- Câble d'alimentation électrique (avec fiche côté appareil)
- Accu Li-ion

2.3 Champ d'application

Tondeuse à accu Bonum

La tondeuse à accu Bonum s'utilise pour la tonte des grands animaux tels que les bovins, chevaux et gros chiens.

Chargeur GT643 (LC40)/accu Li-ion GT641 (3INR19/66-1)

Le chargeur GT643 (LC40) s'utilise pour charger l'accu Li-ion GT641 (3INR19/66-1).

Aesculap®

Tondeuse à accu pour grands animaux Bonum

2.4 Mode de fonctionnement

Tondeuse à accu Bonum

La mise en marche et l'arrêt de la tondeuse à accu Bonum s'effectuent en actionnant le bouton marche/arrêt **20**.

Remarque

Pour éviter une mise en marche ou un arrêt involontaires de la tondeuse, le bouton marche/arrêt ne réagit qu'après un actionnement >0,5 s.

Chargeur GT643 (LC40)/accu Li-ion GT641 (3INR19/66-1)

Le chargeur GT643 (LC40) est conçu pour une plage de tension secteur de 220 V à 240 V et de 50 Hz à 60 Hz.

Pour être prêt à fonctionner, le chargeur GT643 (LC40) doit être raccordé au réseau d'alimentation électrique par la fiche secteur.

Le chargeur GT643 (LC40) possède un compartiment de recharge.

Le processus de recharge démarre automatiquement lorsque l'accu Li-ion est placé dans la station de recharge.

La durée de recharge dépend de l'état de charge et de la capacité de l'accu Li-ion.

Principe de mise en charge

Les accus Li-ion sont rechargés par des impulsions électriques constantes. L'état de charge de l'accu Li-ion est surveillé pendant la recharge. La surveillance de la courbe de charge garantit une recharge à 100 % sans surcharge.

La température de l'accu et la durée de recharge sont également contrôlées.

L'indicateur d'état de charge **f** de l'accu Li-ion comporte 5 DEL. Chaque DEL représente 20 % du volume de charge. Lorsque l'accu est en charge, la DEL correspondant à l'état de charge atteint clignote. Quand toutes les DEL restent allumées de manière fixe, l'accu est entièrement rechargé.

Temps de charge

Le processus de recharge est interrompu si le temps de charge maximum est atteint. Le temps de charge est d'environ 53 min.

3. Préparation

Aesculap n'assume aucune responsabilité lorsque les obligations suivantes ne sont pas respectées.

- ▶ Pour installer et faire fonctionner le produit, observer:
 - les réglementations nationales relatives à l'installation et à l'exploitation,
 - les réglementations nationales relatives à la protection contre les incendies et les explosions,
 - les consignes d'utilisation conformément aux dispositions des normes CEI/VDE.

4. Utilisation de la tondeuse à accu, du chargeur et de l'accu Li-ion

4.1 Mise à disposition

Raccord des accessoires

Les combinaisons d'accessoires non mentionnées dans le mode d'emploi ne peuvent être utilisées que si elles sont expressément prévues pour l'application projetée. Ceci ne doit pas porter préjudice aux caractéristiques de puissance ni aux exigences de sécurité.

4.2 Vérification du fonctionnement

Tondeuse à accu Bonum

- ▶ Effectuer un contrôle visuel.
- ▶ Pousser l'accu Li-ion **21** dans le compartiment de la machine jusqu'à ce qu'il prenne l'encoche.
- ▶ L'indicateur de fonctionnement **d** indique l'état de charge.

Remarque

Pour éviter que l'accu Li-ion ne se décharge lorsque la tondeuse n'est pas utilisée, la connexion électronique entre l'accu Li-ion et la commande de la tondeuse à accu s'interrompt au bout de 1 h.

- ▶ Réactiver l'accu Li-ion **38**: appuyer sur la touche **g**, voir Fig. E. Toutes les DEL de l'indicateur d'état de charge **f** s'allument.

Chargeur/accu Li-ion

- ▶ Effectuer un contrôle visuel.
- ▶ Avant de brancher le produit au réseau d'alimentation électrique:
 - Vérifier l'absence d'éventuels dégâts sur le câble d'alimentation électrique.
 - Contrôler l'absence d'éventuelles détériorations du produit (p. ex. contacts tordus dans le compartiment de recharge).
- ▶ Brancher la fiche secteur dans la prise du réseau d'alimentation électrique.
- ▶ Poser l'accu Li-ion 21 dans le compartiment de recharge du chargeur et le recharger, voir Fig. F.

4.3 Recharge de l'accu Li-ion



Risque d'incendie en cas de court-circuit des pôles provoqué par un liquide ou des pièces métalliques!

- ▶ Ne pas court-circuiter l'accu Li-ion.



Risque de blessures par un câble d'alimentation électrique endommagé!

- ▶ Contrôler l'absence de dégâts sur le câble d'alimentation électrique avant d'utiliser le chargeur.
- ▶ Faire remplacer par le fabricant tout câble d'alimentation électrique endommagé.



Risque de blessures et de dégâts matériels avec un accu Li-ion endommagé!

- ▶ Contrôler l'absence de dégâts sur l'accu Li-ion avant de le recharger.
- ▶ Ne pas utiliser ni recharger un accu Li-ion endommagé.



Risque de perte de capacité ou de performances de l'accu Li-ion déchargé du fait d'un stockage prolongé!

- ▶ Ne stocker les accus Li-ion pendant une période prolongée qu'entièrement rechargés et les recharger une fois par mois.



Risque de détérioration irrémédiable du produit, du compartiment de recharge ou de l'accu Li-ion en cas d'insertion d'un type d'accu inadapté dans le compartiment de recharge!

- ▶ N'insérer l'accu Li-ion que dans le compartiment de recharge prévu à cet effet.

Remarque

Avant la mise en service, il convient de s'assurer que la tension secteur et la fréquence secteur indiquées sur la plaque signalétique correspondent aux données de l'alimentation secteur. Lors de la connexion du chargeur, il est recommandé de prévoir au moins un disjoncteur différentiel de type F avec un courant de déclenchement de max. 30 mA à utiliser.

Remarque

Le chargeur peut être utilisé par des enfants à partir de 8 ans ainsi que par des personnes ayant des capacités physiques, sensorielles ou mentales réduites ou ne disposant pas de l'expérience et des connaissances nécessaires s'ils sont surveillés ou s'ils ont reçu des instructions concernant l'utilisation en sécurité de l'appareil et qu'ils comprennent les dangers qui en résultent.

- ▶ Ne pas laisser les enfants jouer avec l'appareil.
- ▶ Ne pas laisser des enfants sans surveillance effectuer le nettoyage et l'entretien du chargeur.

Aesculap®

Tondeuse à accu pour grands animaux Bonum

Remarque

L'accu Li-ion chauffe légèrement pendant le processus de recharge.

Remarque

Lorsque le chargeur n'est pas utilisé, le câble d'alimentation électrique doit être débranché de la prise secteur.

- ▶ N'utiliser que le chargeur GT643 (LC40) pour recharger l'accu Li-ion.
- ▶ Insérer la fiche secteur du chargeur 22.
La LED de l'indicateur de fonctionnement d et la LED de l'indicateur d'avertissement e s'allument successivement pendant environ 1 seconde, voir Fig. F.
- ▶ Pousser l'accu Li-ion 21 jusqu'à la butée dans le compartiment de recharge du chargeur 22, voir Fig. F.
La LED de l'indicateur de fonctionnement d clignote et l'accu Li-ion 21 commence à charger.
Lorsque la LED de l'indicateur de fonctionnement g est fixe, l'accu Li-ion est complètement chargé.

4.4 Changement d'accu Li-ion

- ▶ Tenir la tondeuse à accu g tête de tonte vers le bas, de façon à ce que l'accu Li-ion 21 ne tombe pas lors du déverrouillage, voir Fig. 1.
- ▶ Débloquer le verrouillage d'accu f avec le pouce.



Fig. 1

- ▶ Retirer l'accu Li-ion 21, le charger et/ou insérer un accu Li-ion de recharge GT641 (31NR19/66-1) dans la tondeuse à accu g, voir Fig. 2.



Fig. 2

4.5 Manipulation de la tête de tonte

Huilage de la tête de tonte



Risque d'endommagement de la tondeuse ou de la tête de tonte en cas d'huilage incorrect!

- ▶ Ne procéder à l'huilage de la tête de tonte que lorsque la tondeuse est en marche.
 - ▶ Ne pas plonger la tondeuse ni la tête de tonte dans des liquides.
 - ▶ N'utiliser que l'huile lubrifiante légère GT604.
- ▶ Huiler abondamment la tête de tonte au niveau du point de lubrification a avant chaque animal, voir Fig. A.
 - ▶ Huiler les lames de ressort 7 2 à 3 fois par jour avec 3 à 4 gouttes d'huile, voir Fig. C.

Graissage de la roue dentée



ATTENTION

Risque d'endommagement de la tondeuse ou de la roue dentée en cas de graissage incorrect!

- ▶ N'utiliser que la graisse d'engrenage GT605.
- ▶ Graisser la roue dentée 1 à 2 fois par saison de tonte.

- ▶ Déverrouiller et enlever l'accu Li-ion 21.
- ▶ Dévisser les deux vis 14, voir Fig. B.
- ▶ En regardant la tête de tonte, tourner celle-ci d'environ 15° sur la gauche et la retirer du boîtier du moteur.
- ▶ Appliquer environ 1 cm de graisse sur deux points diamétralement opposés de la roue dentée 12, voir Fig. C.
- ▶ Emboîter prudemment la tête de tonte sur le moteur. Veiller ce faisant à emboîter la tête de tonte en la présentant tournée d'environ 15° sur la gauche et faire attention à ce que l'ergot inférieur s'engage dans la rainure du boîtier du moteur.

Remplacement des peignes et contre-peignes

- ▶ Déverrouiller et enlever l'accu Li-ion 21.
- ▶ Desserrer l'écrou moleté 11 et dévisser la vis de réglage 10 d'environ 2 tours, voir Fig. A.
- ▶ Desserrer les deux vis de blocage 4, tirer le peigne 2 vers l'avant et enlever le contre-peigne 3, voir Fig. A et Fig. E.
- ▶ Avant de poser le contre-peigne 3, s'assurer que le plot d'oscillation 13 se trouve dans l'évidement prévu à cet effet sur l'oscillateur 5, voir Fig. E.
- ▶ Mettre en place le contre-peigne 3. S'assurer ce faisant que les deux pointes b de l'oscillateur 5 s'engagent exactement dans les orifices c du contre-peigne 3, voir Fig. D.
- ▶ Pousser le peigne 2 sous la tête des vis de blocage 4 jusqu'à la butée sur le boîtier de tête de tonte et serrer à fond les deux vis de blocage 4.
- ▶ Visser la vis de réglage 10 jusqu'à ce que le peigne et le contre-peigne soient légèrement pressés l'un contre l'autre, voir Fig. A.

Nettoyage de la tête de tonte

- ▶ Nettoyer la tête de tonte au minimum au bout de quelques jours de tonte ou si elle s'encrasse.
- ▶ Déverrouiller et enlever l'accu Li-ion 38.
- ▶ Dévisser les deux vis 6, voir Fig. B.
- ▶ En regardant la tête de tonte, tourner celle-ci d'environ 15° sur la gauche et la retirer du boîtier du moteur.
- ▶ Retirer le peigne et le contre-peigne, voir Remplacement des peignes et contre-peignes.
- ▶ Nettoyer minutieusement l'intérieur et les différentes pièces de la tête de tonte avec une brosse ou un pinceau.
- ▶ Poser et serrer le peigne et le contre-peigne, voir Remplacement des peignes et contre-peignes.
- ▶ Graisser la roue dentée, voir Graissage de la roue dentée.
- ▶ Emboîter prudemment la tête de tonte sur le moteur. Veiller ce faisant à emboîter la tête de tonte en la présentant tournée d'environ 15° sur la gauche et faire attention à ce que l'ergot inférieur s'engage dans la rainure du boîtier du moteur.
- ▶ Huiler la tête de tonte, voir Huilage de la tête de tonte.

Régler la pression des plaques avec l'outil d'ajustage de précision GT146 (disponible en option)

Remarque

Pour un réglage optimal de la pression des plaques, le fabricant recommande l'outil d'ajustage de précision GT146.

- ▶ Insérer l'outil d'ajustage de précision GT146 19 dans les 2 trous de la vis de réglage 10

Remarque

Les vis moletées des têtes de tondeuses plus anciennes ne disposant pas de 2 trous peuvent être modernisées avec la vis de réglage GT147.

Aesculap®

Tondeuse à accu pour grands animaux Bonum

Réglage de la pression du contre-peigne sur le peigne

Remarque

Le réglage de la pression du contre-peigne sur le peigne doit être effectué tondeuse en marche, sans outils.

Remarque

Une pression trop élevée du contre-peigne sur le peigne entraînera un échauffement accru et une usure plus prononcée du peigne et du contre-peigne.

- ▶ Desserrer l'écrou moleté **11** et dévisser prudemment la vis de réglage **10** jusqu'à ce que le contre-peigne **3** ne soit plus pressé sur le peigne **2** (bruit de fonctionnement plus clair), voir Fig. A.
- ▶ Visser la vis de réglage **10** jusqu'à ce qu'une légère résistance soit perceptible. A partir de ce point, donner encore environ un tour à la vis, puis serrer l'écrou moleté **11**.

Nettoyage de la tête de tonte

- ▶ Nettoyer la tête de tonte au minimum au bout de quelques jours de tonte ou si elle s'encrasse.
- ▶ Déverrouiller et enlever l'accu Li-ion **21**.
- ▶ Dévisser les deux vis **14**, voir Fig. B.
- ▶ En regardant la tête de tonte, tourner celle-ci d'environ 15° sur la gauche et la retirer du boîtier du moteur.
- ▶ Retirer les peignes, voir Remplacer peignes.
- ▶ Nettoyer minutieusement l'intérieur et les différentes pièces de la tête de tonte avec une brosse ou un pinceau.
- ▶ Insérer et serrer les peignes, voir Remplacer peignes.
- ▶ Lubrifier le pignon, voir Lubrifier le pignon.
- ▶ Emboîter prudemment la tête de tonte sur le moteur. Veiller ce faisant à emboîter la tête de tonte en la présentant tournée d'environ 15° sur la gauche et faire attention à ce que l'ergot inférieur s'engage dans la rainure du boîtier du moteur.
- ▶ Huilage de la tête de tonte voir Huilage de la tête de tonte

Affûtage des peignes et contre-peignes

- ▶ Pour l'affûtage des peignes, s'adresser au service technique, voir Service Technique.

4.6 Stockage

- ▶ Bien nettoyer la tondeuse et les peignes et contre-peignes avant de les ranger, voir Traitement.
- ▶ Ranger la tondeuse dans un endroit sec, sombre et propre.

5. Peignes et contre-peignes

5.1 Peignes pour la tête de tonte GT647 version bovins/GT657 version chevaux

Art. n°	Désignation
GT501	Contre-peigne à 15 dents
GT502	Peigne à 31 dents, hauteur de coupe 3 mm
GT503	Contre-peigne à 17 dents
GT504	Peigne à 18 dents, hauteur de coupe 3 mm
GT505	Contre-peigne à 23 dents
GT506	Peigne à 23 dents, hauteur de coupe 3 mm
GT508	Peigne à 51 dents, hauteur de coupe 1 mm
GT510	Comme GT506 mais avec une hauteur de coupe de 5 mm
GT511	Comme GT502 mais avec une hauteur de coupe de 1 mm

5.2 Combinaisons recommandées

Combinaison	Contre-peigne/peigne	Convient pour
Denture étroite	GT501/GT502	Bovins et chevaux (équipement classique)
	GT501/GT511	Tonte industrielle
	GT505/GT502	Chevaux et bovins – tonte lisse standard
	GT505/GT508	Chevaux, bovins (tonte du pis de vache) et tonte industrielle
Denture moyenne	GT505/GT506	Bovins, chiens et caprins
	GT505/GT510	Chiens et caprins
Denture large	GT503/GT504	Bovins, moutons et moutons à laine fine

6. Traitement

6.1 Nettoyage/décontamination



DANGER

Risque d'électrocution et d'incendie!

- ▶ Avant le nettoyage:
 - Débrancher la fiche du chargeur.
 - Déverrouiller l'accu Li-ion et le retirer de la tondeuse à accu.
- ▶ Ne pas utiliser de produits de nettoyage et de décontamination inflammables et explosifs.
- ▶ Contrôler qu'aucun liquide ne pénètre dans le produit.



ATTENTION

Risque d'endommagement ou de détérioration irréversible du produit par un nettoyage/une décontamination mécaniques!

- ▶ Ne nettoyer/décontaminer le produit que manuellement.
- ▶ Ne jamais stériliser le produit.



ATTENTION

Risque de détériorations du produit du fait d'un produit de nettoyage/décontamination inadéquat!

- ▶ Utiliser uniquement des produits de nettoyage/décontamination agréés pour le nettoyage des surfaces en respectant les instructions du fabricant.
 - ▶ Ne jamais plonger le produit dans de l'eau ou dans un produit nettoyant.
 - ▶ Ne pas faire pénétrer de liquide dans les compartiments de recharge.
 - ▶ Nettoyer avec le plus grand soin les contacts dans le compartiment de recharge.
- ▶ Essuyer le boîtier du produit avec un chiffon non pelucheux imbibé d'un produit courant du commerce pour la désinfection par essuyage.
 - ▶ Si nécessaire, éliminer les résidus du produit de nettoyage et de désinfection à la fin de la durée d'action de celui-ci avec un chiffon non pelucheux humidifié à l'eau propre.
 - ▶ Pour le séchage, utiliser un chiffon propre non pelucheux.
 - ▶ Nettoyer les contacts dans les compartiments de recharge avec un coton-tige imbibé d'isopropanol ou d'alcool éthylique. Ne pas utiliser de produits chimiques favorisant la corrosion.
 - ▶ Si nécessaire, répéter le nettoyage/la désinfection.

Aesculap®

Tondeuse à accu pour grands animaux Bonum

6.2 Contrôle et vérification

- ▶ Laisser refroidir le produit à la température ambiante.
- ▶ Après chaque nettoyage et décontamination, vérifier sur le produit les éléments suivants: propreté, bon fonctionnement et absence de détériorations.
- ▶ Contrôler sur le produit l'absence de détériorations, de bruits de fonctionnement irréguliers, d'échauffement excessif et de trop fortes vibrations.
- ▶ Vérifier que les tranchants de la tête de tonte ne sont pas cassés, endommagés ou émoussés.
- ▶ Mettre immédiatement au rebut le produit endommagé.

7. Maintenance

Pour garantir un fonctionnement fiable, Aesculap recommande **au moins une maintenance par an**.

8. Identification et élimination des pannes

8.1 Tondeuse à accu Bonum

Problème	Cause	Élimination
La tondeuse à accu ne démarre pas	Accu Li-ion non chargé	Charger l'accu Li-ion
	Accu Li-ion défectueux	Insérer un nouvel accu Li-ion
	Accu Li-ion non inséré	Insérer l'accu Li-ion
La tondeuse à accu s'arrête en cours d'utilisation	Accu Li-ion mis en coupure par le disjoncteur de protection	Arrêter et remettre en marche la tondeuse à accu
	L'accu Li-ion est vide	Insérer un nouvel accu Li-ion

8.2 Chargeur et accu Li-ion

Problème	Identification	Cause	Élimination
Chargeur inopérant	La DEL témoin "Accu" ne s'allume pas	Câble d'alimentation électrique non branché	Brancher la fiche secteur dans la prise du réseau d'alimentation électrique
		Accu Li-ion non chargé	Faire réparer le chargeur chez le fabricant, voir Service technique
		Accu Li-ion défectueux	Faire réparer l'accu Li-ion chez le fabricant, voir Service Technique

Problème	Identification	Cause	Elimination
L'accu Li-ion ne se recharge pas	Accu Li-ion inséré, l'indicateur d'état de charge ne s'allume pas	Contacts du chargeur encrassés	Nettoyer les contacts du compartiment de recharge, voir Traitement
	-	Contacts du chargeur endommagés	Faire réparer le chargeur chez le fabricant, voir Service Technique
	-	Accu Li-ion défectueux	Faire réparer l'accu Li-ion chez le fabricant, voir Service Technique
	-	Chargeur défectueux	Faire réparer le chargeur chez le fabricant, voir Service Technique
	-	Pendant le processus de charge, une température trop élevée est mesurée dans l'accu Li-ion	Retirer l'accu Li-ion du compartiment de recharge, le laisser refroidir et recommencer le processus de recharge Si la perturbation se répète, faire réparer l'accu Li-ion chez le fabricant, voir Service Technique
	-	Problème de charge ou accu Li-ion défectueux	Retirer l'accu Li-ion du compartiment de recharge et recommencer le processus de recharge Si la perturbation se répète, faire réparer l'accu Li-ion chez le fabricant, voir Service Technique

9. Service Technique



Risque de blessure et/ou de dysfonctionnement!

► **Ne pas modifier le produit.**

Les modifications effectuées sur cet équipement techniques peuvent entraîner une perte des droits à garantie de même que d'éventuelles autorisations.

Adresses de service

Albert Kerbl GmbH

Felizenzell 9

84428 Buchbach / Germany

Phone: +49 (0) 8086 933-100

Fax: +49 (0) 8086 933-500

E-mail: info@kerbl.com

www.kerbl.com

Pour obtenir d'autres adresses de service, contactez l'adresse ci-dessus.

10. Accessoires/pièces de rechange

Art. n°	Désignation	Version	Accu Li-ion	Station de recharge complète	Accessoires
GT644-BL	Bonum version bovins / jeu avec 1 accu, bleu	Europe sauf Grande-Bretagne	GT641 (3INR19/66-1)	GT643 (LC40)	GT604 Huile spéciale pour peignes et contre-peignes et tête de tonte
GT646-BL	Bonum version bovins / jeu avec 2 accus, bleu				
GT654-RO	Bonum version chevaux / jeu avec 1 accu, rose				
GT656-RO	Bonum version chevaux / jeu avec 2 accus, rose				
GT654-BL	Bonum version chevaux / jeu avec 1 accu, bleu				
GT656-BL	Bonum version chevaux / jeu avec 2 accus, bleu				
GT644G-BL	Bonum version bovins / jeu avec 1 accu, bleu	Grande-Bretagne		GT643G (LC40)	GT605 Graisse d'engrenage (tube)
GT646G-BL	Bonum version bovins / jeu avec 2 accus, bleu				
GT654G-RO	Bonum version chevaux / jeu avec 1 accu, rose				
GT656G-RO	Bonum version chevaux / jeu avec 2 accus, rose				
GT654G-BL	Bonum version chevaux / jeu avec 1 accu, bleu				
GT656G-BL	Bonum version chevaux / jeu avec 2 accus, bleu				
GT644K-BL	Bonum version bovins / jeu avec 1 accu, bleu	États-Unis		GT643K (LC40)	
GT646K-BL	Bonum version bovins / jeu avec 2 accus, bleu				
GT654K-RO	Bonum version chevaux / jeu avec 1 accu, rose				
GT656K-RO	Bonum version chevaux / jeu avec 2 accus, rose				
GT654K-BL	Bonum version chevaux / jeu avec 1 accu, bleu				
GT656K-BL	Bonum version chevaux / jeu avec 2 accus, bleu				
GT644A-BL	Bonum version bovins / jeu avec 1 accu, bleu	Australie		GT643A (LC40)	
GT646A-BL	Bonum version bovins / jeu avec 2 accus, bleu				
GT654A-RO	Bonum version chevaux / jeu avec 1 accu, rose				
GT656A-RO	Bonum version chevaux / jeu avec 2 accus, rose				
GT654A-BL	Bonum version chevaux / jeu avec 1 accu, bleu				
GT656A-BL	Bonum version chevaux / jeu avec 2 accus, bleu				

11. Caractéristiques techniques

11.1 Tondeuse à accu Bonum

Nombre d'oscillations	max. 2 500 1/min
Autonomie avec un accu Li-ion	env. 70 min à 80 min
Tension nominale	max. 10,8 V
Capacité	max. 2 A
Poids (avec tête de tonte et accu)	950 g

11.2 Chargeur GT643 (LC40)

Plages de tension secteur (consommation de courant)	220 V à 240 V
Fréquence	50 à 60 Hz
Tension de mise en charge/sortie	max. 10,8 V
Intensité de mise en charge/sortie	max. 2,3 A
Poids (avec câble et bloc d'alimentation électrique)	360 g

11.3 Accu Li-ion GT621 (3INR19/66-1)

Type de pile rechargeable	Li
Tension nominale	10,8 V
Capacité	2 Ah
Temps de charge	env. 53 min
Poids	190 g
Marquage de contrôle	TÜV-Süd, TÜV NRTL (US-C), CE

11.4 Déclaration de conformité

CE Nous déclarons sous notre propre responsabilité que le présent produit est conforme aux normes et documents normatifs suivants:

Directive CEM 2004/108/CE:

DIN EN 60335-1

DIN EN 60335-2-8

Sécurité des appareils électriques pour usage domestique et similaire

– prescriptions générales

– pour les tondeuses à cheveux/pelage

Aesculap Suhl GmbH

12. Élimination

Les appareils électriques, les accessoires et l'emballage doivent être recyclés dans le respect de l'environnement.

12.1 Uniquement pour les pays de l'UE



Ne pas jeter les appareils électriques avec les déchets ménagers!

Conformément à la Directive européenne 2012/19/UE sur les appareils électriques et électroniques usagés et sa transposition dans le droit national, les appareils électriques inutilisables doivent être collectés séparément et recyclés dans le respect de l'environnement.

12.2 Accu Li-ion

Ne pas jeter les accus Li-ion avec les déchets ménagers, dans le feu ni dans l'eau. Les accus Li-ion défectueux ou usés doivent être collectés, recyclés ou éliminés dans le respect de l'environnement conformément à la Directive 2006/66/CE.

13. 2 ans de garantie

Chère cliente, cher client,

Nous vous remercions d'avoir acheté l'un de nos produits.

La marque Aesculap est synonyme depuis des décennies de qualité contrôlée et de service remarquable. Nous offrons à nos clients des produits innovateurs et performants. Aesculap fabrique des appareils de qualité supérieure et vous garantit l'utilisation de matériaux de qualité supérieure ainsi qu'une fabrication soignée. Nous tenons à souligner que nous ne sommes pas responsables des défauts de nos produits s'ils résultent d'une utilisation incorrecte, d'une usure normale ou du fait que le produit est utilisé de manière inappropriée ou que des produits d'autres marques ne fonctionnant pas parfaitement ou non adéquats sont utilisés.

Les pièces qui subissent généralement une usure et pour lesquelles nous ne donnons donc pas de garantie sont l'accu et la tête de tonte. Les défauts qui n'influencent pas ou très peu la valeur ou le fonctionnement de l'appareil sont également exclus.

Si notre responsabilité est engagée dans le cadre de notre garantie, nous nous réservons le droit de réparer ou de remplacer le produit.

Aesculap®

Esquiladora para animales grandes a batería Bonum

Vista general

Pos.	Nº ref.	Denominación
1	GT647801	1 Carcasa del cabezal de corte montada
2	GT502	1 Placa de corte inferior
3	GT501	1 Placa de corte superior (para bovinos)
	GT505	1 Placa de corte superior (para caballos)
4	GT610010	1 Tornillo de bloqueo
5	GT367201	1 Oscilador
6	GT367202	2 Pasador guía
7	TA008295	6 Hoja de muelle oscil.
8	GT610307	1 Puente de amortiguación
9	GT367207	2 Tornillo de fijación
10	GT640225	1 Tornillo de regulación
11	GT610405	2 Tuerca moleteada
12	GT640220	1 Eje con rueda dentada
13	GT610304	1 Cubo oscil.
14	TA010017	2 Tornillo, cruz, M4 x 16
15	TA005091	2 Tornillo
16	GT367803	1 Parte distancia, dech.
17	GT367802	1 Parte distancia, izq.
18	GT367804	1 Oscilador montado
19	GT146	1 Accesorio de ajuste de precisión Torqui
20	GT800249	1 Tecla On/Off (con LED)
21	GT641 (31NR19/66-1)	1 Batería de iones de litio
22	GT643 (LC40)	1 Cargador
a	-	1 Punto de lubricación de la esquiladora a batería
b	-	1 Nuez oscilante
c	-	1 Casquillo del cojinete de empuje
d	-	1 Arandela elástica
e	-	1 Tapa de la carcasa
f	-	1 Barra de empuje
g	-	1 Resorte de oreja
-	GT604	1 Aceite especial para cabezal y placas de corte
	GT605	1 Grasa para engranajes (tubo)

Символы на устройстве



Atención, señal de advertencia general
Atención, observar la documentación adjunta



Identificación de equipos eléctricos y electrónicos de acuerdo con la directiva 2012/19/UE (RAEE), ver Eliminación de residuos

Índice

1.	Manipulación correcta	39
2.	Descripción del aparato	39
2.1	Volumen de suministro	39
2.2	Componentes necesarios para el servicio	39
2.3	Finalidad de uso	39
2.4	Modo de funcionamiento	40
3.	Preparación	40
4.	Funcionamiento de la esquiladora a batería, el cargador y la batería de iones de litio	40
4.1	Puesta a punto	40
4.2	Comprobación del funcionamiento	40
4.3	Conexión del cargador/Carga de la batería de iones de litio	41
4.4	Cambio de la batería de iones de litio	42
4.5	Manejo del cabezal de corte	42
4.6	Almacenamiento	44
5.	Placas de corte	44
5.1	Placas de corte para el cabezal de corte GT369 versión para bovinos/GT657 versión para caballos	44
5.2	Combinaciones recomendadas	44
6.	Trato y cuidado	45
6.1	Limpieza/Desinfección	45
6.2	Control y comprobación	46
7.	Mantenimiento	46
8.	Identificación y subsanación de fallos	46
8.1	Esquiladora a batería Bonum	46
8.2	Cargador y batería de iones de litio	46
9.	Servicio de Asistencia Técnica	47
10.	Accesorios/piezas de recambio	48
11.	Datos técnicos	49
11.1	Esquiladora a batería Bonum	49
11.2	Cargador GT643 (LC40)	49
11.3	Batería de iones de litio GT621 (31NR19/66-1)	49
11.4	Declaración de conformidad	49
12.	Eliminación de residuos	49

12.1	Sólo para países de la UE	49
12.2	Batería de iones de litio	49
13.	2 años de garantía	49

1. Manipulación correcta



Peligro de muerte por descarga eléctrica.

- ▶ **No abrir el producto.**
- ▶ **Conectar el producto únicamente a redes de suministro con puesta a tierra.**

- ▶ Antes de emplear el producto comprobar que funcione y que esté en perfecto estado.
- ▶ Guardar el cargador y las baterías de iones de litio a temperatura ambiente.
- ▶ Mantener secos el cargador y la batería de iones de litio.
- ▶ Cargar las baterías de iones de litio antes de utilizarlas por primera vez.
- ▶ Para evitar daños causados por un montaje o uso inadecuados y conservar así los derechos de garantía y responsabilidad del fabricante:
 - Utilizar el producto sólo conforme a las presentes instrucciones de uso.
 - Respetar la información sobre las medidas de seguridad y las instrucciones de mantenimiento.
 - Sólo combinar entre sí productos Aesculap.
- ▶ Conservar las instrucciones en un lugar accesible para el operario.
- ▶ Cumplir con las normas vigentes.
- ▶ Asegurarse de que la instalación eléctrica de la sala cumpla con los requisitos IEC.
- ▶ Para desconectar el aparato de la red, tirar del enchufe, nunca del cable.
- ▶ No utilizar el producto en lugares expuestos a peligro de explosión.
- ▶ No utilizar ningún producto dañado o defectuoso. Retirar inmediatamente el producto si está dañado.

2. Descripción del aparato

2.1 Volumen de suministro

N.º art.	Descripción
GT640-BL	Esquiladora de animales grandes para bovinos Bonum, azul
GT640-RO	Esquiladora de animales grandes para caballos Bonum, rosa
GT641 (3INR19/66-1)	Batería de iones de litio
GT643 (LC40)	Cargador, incl. cable de red (con conector para aparatos)
TA015304	Instrucciones de uso
TA009222	Destornillador
GT604	Botella de aceite

2.2 Componentes necesarios para el servicio

- Esquiladora a batería Bonum
- Cargador
- Cable de red (con conector para aparatos)
- Batería de iones de litio

2.3 Finalidad de uso

Esquiladora a batería Bonum

La esquiladora a batería Bonum se utiliza para esquilare animales grandes, como bovinos, caballos y perros grandes.

Cargador GT643 (LC40) /batería de iones de litio GT641 (3INR19/66-1)

El cargador GT643 (LC40) se utiliza para cargar la batería de iones de litio GT641 (3INR19/66-1).

Aesculap®

Esquiladora para animales grandes a batería Bonum

2.4 Modo de funcionamiento

Esquiladora a batería Bonum

La esquiladora a batería Bonum se enciende y apaga por medio de la tecla On/Off **20**.

Nota

Para evitar un encendido/apagado accidental de la máquina, la tecla On/Off sólo reacciona tras una activación de >0,5 s.

Cargador GT643 (LC40)/batería de iones de litio GT641 (3INR19/66-1)

El cargador GT643 (LC40) ha sido diseñado para un rango de tensión de 200 V a 240 V y unas frecuencias de 50 Hz a 60 Hz.

Para que el cargador GT643 (LC40) funcione se debe conectar a la red eléctrica con el enchufe de red.

El cargador GT643 (LC40) dispone de dos compartimentos de carga.

El proceso de carga se inicia automáticamente después de introducir la batería de iones de litio en la estación de carga.

El tiempo de carga va en función del nivel de carga y de la capacidad de la batería de iones de litio.

Principio de carga

La carga de la batería de iones de litio se realiza por medio de impulsos de corriente constantes.

El cargador controla el nivel de carga de la batería de iones de litio mientras ésta se carga. Con la vigilancia del nivel de carga se garantiza la carga completa sin que se produzca una sobrecarga.

El equipo vigila asimismo la temperatura de la batería y el tiempo de carga.

El indicador del nivel de carga **f** de la batería de iones de litio dispone de 5 LED. Cada LED representa un 20 % del volumen de carga. Si la batería se encuentra en proceso de carga, el LED del estado de carga correspondiente parpadeará. Cuando se iluminen todos los LED, la batería estará completamente cargada.

Tiempo de carga

Una vez agotado el tiempo de carga, se interrumpe el proceso de carga. El tiempo de carga es de unos 53 minutos.

3. Preparación

Si no se observan las siguientes normas, Aesculap declina cualquier responsabilidad.

- ▶ Al instalar y poner en funcionamiento el producto, deberán respetarse:
 - los reglamentos de instalación y operación vigentes a nivel nacional,
 - las normas nacionales sobre prevención de incendios y explosiones
 - Instrucciones de utilización según las normas IEC/VDE.

4. Funcionamiento de la esquiladora a batería, el cargador y la batería de iones de litio

4.1 Puesta a punto

Conexión de los accesorios

Las combinaciones de accesorios no mencionadas en las instrucciones de uso sólo podrán ser utilizadas si están expresamente destinadas para la aplicación prevista. No deben influir negativamente en las características de rendimiento ni en los requisitos de seguridad.

4.2 Comprobación del funcionamiento

Esquiladora a batería Bonum

- ▶ Realizar una inspección visual.
- ▶ Introducir la batería de iones de litio **21** en el compartimento de la máquina hasta que quede encajada.
- ▶ El indicador del nivel de carga **d** muestra el nivel de carga.

Nota

Para evitar que la batería de iones de litio se descargue cuando la máquina no esté en uso, la conexión eléctrica de la batería de iones de litio al control de la esquiladora a batería se desconecta trascurrida 1 h.

- ▶ Reactivar la batería de iones de litio **38**: pulsar la tecla **g**, ver Fig. E. Se iluminan todos los LED del indicador del nivel de carga **f**.

Cargador/Batería de iones de litio

- ▶ Realizar una inspección visual.
- ▶ Antes de conectar el producto a la red:
 - Comprobar que el cable de red no esté dañado.
 - Comprobar que el producto no presenta daños (p. ej. que los contactos del compartimento de carga no están deformados).
- ▶ Conectar el enchufe de red a la toma de corriente de la red.
- ▶ Colocar la batería de iones de litio 21 en el compartimento de carga del cargador y cargarla, ver Fig. F.

4.3 Conexión del cargador/Carga de la batería de iones de litio



Peligro de incendio por cortocircuito de los polos a causa de líquidos o piezas de metal.

- ▶ No cortocircuitar la batería de iones de litio.



Peligro de lesiones si el cable de red está dañado.

- ▶ Comprobar que el cable de red no presenta daños antes de iniciar la carga.
- ▶ Pedir al fabricante que cambie el cable de red.



Peligro de lesiones y daños materiales si la batería de iones de litio está en mal estado.

- ▶ Comprobar que la batería de iones de litio no presenta daños antes de iniciar la carga.
- ▶ No utilizar ni cargar la batería de iones de litio si presenta algún daño.



Pérdida de la capacidad/del rendimiento de la batería de iones de litio si se almacena descargado durante demasiado tiempo.

- ▶ Cargar siempre por completo la batería de iones de litio antes de almacenarla durante periodos largos y recargarla una vez al mes.



Peligro de destrucción del producto, del compartimento de carga o de la batería de iones de litio si se introduce una batería incorrecta en el compartimento de carga.

- ▶ Introducir la batería de iones de litio sólo en el compartimento de carga que le corresponde.

Nota

Antes de la puesta en marcha, se debe garantizar que la tensión de red y la frecuencia de red indicadas en la placa de características coincidan con los datos de la red eléctrica. Al conectar el cargador se recomienda emplear al menos un interruptor de corriente de defecto del tipo F con una corriente de disparo de máximo 30 mA.

Nota

El cargador puede ser utilizado tanto por niños a partir de 8 años como por personas cuyas capacidades mentales, sensoriales o físicas estén disminuidas, así como por personas con falta de experiencia y conocimiento, siempre que reciban instrucción supervisada o en materia de seguridad y entiendan los riesgos que su uso conlleva.

- ▶ Prohibido que los niños jueguen con el aparato.
- ▶ Prohibido que los niños realicen tareas de limpieza y mantenimiento del cargador sin supervisión.

Aesculap®

Esquiladora para animales grandes a batería Bonum

Nota

La batería de iones de litio se calienta ligeramente durante la carga.

Nota

Cuando no se vaya a utilizar el cargador se desenchufará siempre el cable de red de la toma de corriente.

- ▶ Utilizar sólo el cargador GT643 (LC40) de Aesculap para cargar la batería de iones de litio.
- ▶ Seguir las instrucciones de uso del cargador 22. El LED del indicador de servicio d y el LED del indicador de advertencia e se iluminan de forma consecutiva durante 1 segundo, ver Fig. F.
- ▶ Colocar la batería de iones de litio 21 en el compartimento de carga del cargador 22, ver Fig. F. El LED del indicador de servicio d parpadea y se cargará la batería de iones de litio 21. Cuando se iluminen los LED del indicador de servicio d de forma continua, la batería estará completamente cargada.

4.4 Cambio de la batería de iones de litio

- ▶ Sujetar la esquiladora a batería g con el cabezal de corte hacia abajo para que la batería de iones de litio 21 no caiga al suelo al soltarla, ver Fig. 1.
- ▶ Soltar el bloqueo de la batería f con el pulgar.

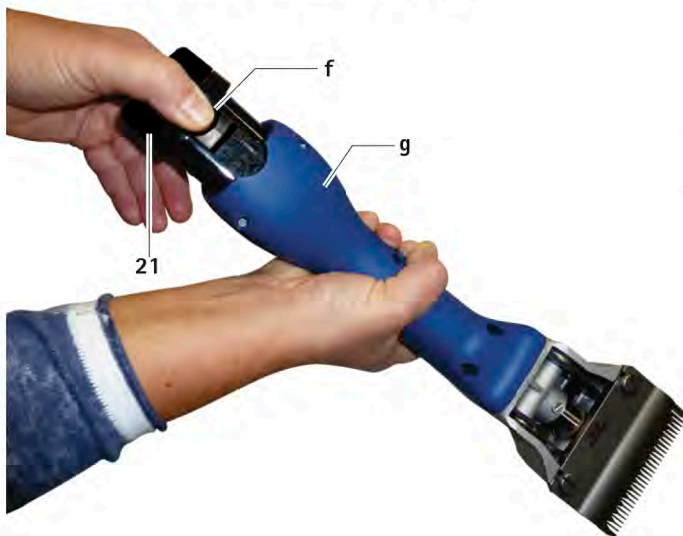


Fig. 1

- ▶ Tirar de la batería de iones de litio 21 hasta sacarla, cargar y/o introducir la batería de iones de litio de repuesto GT641 (31NR19/66-1) cargada en la esquiladora a batería g, ver Fig. 2.



Fig. 2

4.5 Manejo del cabezal de corte

Lubricación del cabezal de corte



ATENCIÓN

Peligro de dañar la esquiladora o el cabezal de corte por una lubricación inadecuada.

- ▶ Lubrificar el cabezal de corte sólo cuando la máquina esté en marcha.
 - ▶ No sumergir el cabezal de corte en líquidos.
 - ▶ Utilizar exclusivamente el aceite lubricante ligero GT604.
- ▶ Lubricar abundantemente el cabezal de corte en el punto de lubricación a antes de cada animal, ver Fig. A.
 - ▶ Lubricar las hojas de corte 7 2-3 veces al día con 3-4 gotas, ver Fig. C.

Engrasado del piñón



Peligro de dañar la esquiladora o el piñón por una lubricación inadecuada.

- ▶ **Utilizar exclusivamente grasa para engranajes GT605.**
- ▶ **Engrasar el piñón de 1 a 2 veces por temporada de esquila.**

- ▶ Desenclavar y retirar la batería de iones de litio **21**.
- ▶ Desenroscar ambos tornillos **14**, ver Fig. B.
- ▶ Con la mirada puesta en el cabezal de corte, girarlo aprox. 15° hacia la izquierda y retirarlo de la carcasa del motor.
- ▶ Aplicar 1 cm de grasa aprox. en dos puntos opuestos entre sí del piñón **12**, ver Fig. C.
- ▶ Con cuidado, conectar el cabezal de corte al motor. Asegurarse de que el cabezal de corte encaje girándolo aprox. 15° hacia la izquierda y que el saliente interior encaje en la ranura de la carcasa del motor.

Cambio de las placas de corte

- ▶ Desenclavar y retirar la batería de iones de litio **21**.
- ▶ Desenroscar la tuerca moleteada **11** y aflojar el tornillo de regulación **10** 2 vueltas aprox., ver Fig. A.
- ▶ Soltar ambos tornillos aprisionadores **4**, tirar de la placa de corte inferior **2** hacia adelante y extraer la placa de corte superior **3**, ver Fig. A y Fig. E.
- ▶ Antes de colocar la placa de corte superior **3**, asegurarse de que el cubo oscilante **13** se encuentra en la escotadura del oscilador **5** prevista para tal fin, ver Fig. E.
- ▶ Colocar la placa de corte superior **3**. Asegurarse de que ambas puntas **b** del oscilador **5** encajen exactamente en los orificios **c** de la placa de corte superior **3**, ver Fig. D.
- ▶ Deslizar la placa de corte inferior **2** por debajo de las cabezas de los tornillos aprisionadores **4** hasta el tope de la carcasa del cabezal de corte y apretar ambos tornillos aprisionadores **4**.
- ▶ Enroscar el tornillo de regulación **10** hasta que las placas de corte presionen ligeramente la una contra la otra, ver Fig. A.

Limpieza del cabezal de corte

- ▶ Limpiar el cabezal de corte como mínimo después de varios días de esquila o si se ensucia.
- ▶ Desenclavar y retirar la batería de iones de litio **38**.
- ▶ Desenroscar ambos tornillos **6**, ver Fig. B.
- ▶ Con la mirada puesta en el cabezal de corte, girarlo aprox. 15° hacia la izquierda y retirarlo de la carcasa del motor.
- ▶ Extraer las placas de corte, ver Cambio de las placas de corte.
- ▶ Limpiar a fondo el interior y las piezas del cabezal de corte con un cepillo o un pincel.
- ▶ Colocar y apretar las placas de corte, ver Cambio de las placas de corte.
- ▶ Engrasar el piñón, ver Engrasado del piñón.
- ▶ Con cuidado, conectar el cabezal de corte al motor. Asegurarse de que el cabezal de corte encaje girándolo aprox. 15° hacia la izquierda y que el saliente interior encaje en la ranura de la carcasa del motor.
- ▶ Lubricar el cabezal de corte, ver Lubricación del cabezal de corte.

Ajuste de la presión de la placa con el accesorio de ajuste de precisión GT146 (disponible de manera opcional)

Nota

El fabricante recomienda el accesorio de ajuste de precisión para ajustar la presión de la placa GT146.

- ▶ Introducir el accesorio de precisión GT146 **19** en los 2 orificios del tornillo de regulación **10**

Nota

Los tornillos moleteados de los cabezales de corte antiguos que no tienen 2 orificios se pueden actualizar con el juego de tornillos GT147.

Aesculap®

Esquiladora para animales grandes a batería Bonum

Ajuste de la presión de la hoja

Nota

El ajuste de la presión de la hoja debe realizarse con la máquina en marcha y sin herramientas.

Nota

Una presión excesiva de la hoja provocará un sobrecalentamiento y un desgaste excesivo de las placas de corte.

- ▶ Aflojar la tuerca moleteada **11** y extraer con cuidado el tornillo de regulación **10** hasta que la placa de corte superior **3** deje de estar presionada contra la placa de corte inferior **2** (sonido agudo de la máquina), ver Fig. A.
- ▶ Enroscar el tornillo de regulación **10** hasta notar una ligera resistencia. A partir de aquí, seguir girando aprox. una vuelta más y después, apretar la tuerca moleteada **11**.

Limpieza del cabezal de corte

- ▶ Limpiar el cabezal de corte como mínimo después de varios días de esquila o si se ensucia.
- ▶ Desenclavar y retirar la batería de iones de litio **21**.
- ▶ Desenroscar ambos tornillos **14**, ver Fig. B.
- ▶ Con la mirada puesta en el cabezal de corte, girarlo aprox. 15° hacia la izquierda y retirarlo de la carcasa del motor.
- ▶ Retirar las placas de corte; véase el apartado de cambio de placas de corte.
- ▶ Limpiar a fondo el interior y las piezas del cabezal de corte con un cepillo o un pincel.
- ▶ Colocar y apretar las placas de corte; véase el apartado de cambio de placas de corte.
- ▶ Engrasar la rueda dentada; véase el apartado de engrase de rueda dentada.
- ▶ Con cuidado, conectar el cabezal de corte al motor. Asegurarse de que el cabezal de corte encaje girándolo aprox. 15° hacia la izquierda y que el saliente interior encaje en la ranura de la carcasa del motor.
- ▶ Lubricación del cabezal de corte ver Lubricación del cabezal de corte

Afilado de las placas de corte

- ▶ En caso de que sea necesario reafilar las placas de corte, diríjase al Servicio de Asistencia Técnica, ver Servicio de Asistencia Técnica.

4.6 Almacenamiento

- ▶ Limpiar bien la esquiladora a batería y las placas de corte antes de almacenarlas, ver Trato y cuidado.
- ▶ Almacenar la esquiladora en un lugar seco, oscuro y limpio.

5. Placas de corte

5.1 Placas de corte para el cabezal de corte GT369 versión para bovinos/GT657 versión para caballos

N.º art.	Descripción
GT501	Placa de corte superior con 15 dientes
GT502	Placa de corte inferior con 31 dientes, altura de corte 3 mm
GT503	Placa de corte superior con 17 dientes
GT504	Placa de corte inferior con 18 dientes, altura de corte 3 mm
GT505	Placa de corte superior con 23 dientes
GT506	Placa de corte inferior con 23 dientes, altura de corte 3 mm
GT508	Placa de corte inferior con 51 dientes, altura de corte 1 mm
GT510	Como GT506, pero con altura de corte 5 mm
GT511	Como GT502, pero con altura de corte 1 mm

5.2 Combinaciones recomendadas

Combinación	Placa superior/inferior	Apta para
Dentado estrecho	GT501/GT502	Bovinos y caballos (equipo normal)
	GT501/GT511	Esquila industrial
	GT505/GT502	Caballos y bovinos - esquila estándar lisa
	GT505/GT508	Caballos, bovinos (esquila de ubres) y esquila industrial
Dentado medio	GT505/GT511	Caballos y bovinos - para esquila muy fina y lisa
	GT505/GT506	Bovinos, perros y cabras
Dentado ancho	GT505/GT510	Perros y cabras
	GT503/GT504	Bovinos, perros y cabras de lana fina

6. Trato y cuidado

6.1 Limpieza/Desinfección



PELIGRO

Riesgo de descargas eléctricas e incendios.

- ▶ Antes de limpiar:
 - Desconectar el enchufe de red del cargador.
 - Desbloquear la batería de iones de litio y extraerla de la esquiadora a batería.
- ▶ No utilizar agentes de limpieza o desinfección inflamables o explosivos.
- ▶ Asegurarse de que no penetra ningún líquido en el producto.



ATENCIÓN

Peligro de dañar o destruir el producto si se somete a una limpieza/desinfección automática.

- ▶ Limpiar/desinfectar el producto sólo manualmente.
- ▶ No esterilizar nunca el producto.



ATENCIÓN

Peligro de dañar el producto debido al uso de desinfectantes/agentes de limpieza incorrectos.

- ▶ Utilizar únicamente desinfectantes/agentes de limpieza autorizados para la limpieza de la superficie y según las instrucciones del fabricante.
- ▶ No sumergir nunca el producto en agua o en el agente de limpieza.
- ▶ No introducir líquidos en los compartimentos de carga.
- ▶ Limpiar los contactos del compartimento de carga con sumo cuidado.

- ▶ Limpiar la carcasa del producto con un paño sin pelusa humedecido con un desinfectante convencional.
- ▶ Eliminar los posibles restos del agente de limpieza y desinfección una vez finalizado su tiempo de actuación con un paño sin pelusa humedecido en agua clara.
- ▶ Para el secado, utilizar un paño limpio y sin pelusa.
- ▶ Limpiar los contactos de los compartimentos de carga con isopropanol o alcohol etílico y un bastoncillo de algodón. No utilizar productos químicos que puedan provocar corrosión.
- ▶ Si es necesario, repetir la limpieza/desinfección.

Aesculap®

Esquiladora para animales grandes a batería Bonum

6.2 Control y comprobación

- ▶ Dejar que el producto se enfríe a temperatura ambiente.
- ▶ Tras limpiar y desinfectar el producto, comprobar que: esté limpio, funcione debidamente y no tenga defectos.
- ▶ Comprobar que el producto no presenta daños, ruidos de funcionamiento anormales, sobrecalentamiento ni una vibración excesiva.
- ▶ Comprobar que las hojas de corte no están fragmentadas, dañadas ni desafiladas.
- ▶ Retirar inmediatamente el producto si está dañado.

7. Mantenimiento

Para garantizar un funcionamiento fiable, Aesculap recomienda realizar un mantenimiento **al menos una vez al año**.

8. Identificación y subsanación de fallos

8.1 Esquiladora a batería Bonum

Fallo	Causa	Subsanación
La esquiladora a batería no arranca	No se ha cargado la batería de iones de litio	Cargar la batería de iones de litio
	Batería de iones de litio defectuosa	Introducir una batería de iones de litio nueva
	No se ha introducido la batería de iones de litio	Introducir una batería de iones de litio
La esquiladora a batería se para durante el funcionamiento	El circuito de protección ha desconectado la batería de iones de litio	Encender y apagar la esquiladora a batería
	La batería de iones de litio está descargada	Introducir una batería de iones de litio nueva

8.2 Cargador y batería de iones de litio

Fallo	Detección	Causa	Subsanación
El cargador no funciona	El indicador LED "batería" no está iluminado	No se ha conectado el cable de red	Conectar el cable de conexión de red a la toma de corriente de la red.
		No se ha cargado la batería de iones de litio	Encargar al fabricante la reparación del cargador, véase el servicio técnico
		Batería de iones de litio defectuosa	Encargar al fabricante la reparación de la batería de iones de litio, ver Servicio de Asistencia Técnica

Fallo	Detección	Causa	Subsanación
La batería de iones de litio no se carga	Se ha encajado la batería de iones de litio pero el indicador del nivel de carga no se ilumina	Los contactos del cargador están sucios	Limpiar los contactos del compartimento de carga, ver Trato y cuidado
	-	Los contactos del cargador están dañados	Encargar al fabricante la reparación del cargador, ver Servicio de Asistencia Técnica
	-	Batería de iones de litio defectuosa	Encargar al fabricante la reparación de la batería de iones de litio, ver Servicio de Asistencia Técnica
	-	Cargador defectuoso	Encargar al fabricante la reparación del cargador, ver Servicio de Asistencia Técnica
	-	Durante la carga se ha detectado un sobrecalentamiento de la batería de iones de litio	Retirar la batería de iones de litio del compartimento de carga, dejarla enfriar y repetir la carga Si se produce otro fallo, encargar al fabricante la reparación de la batería de iones de litio, ver Servicio de Asistencia Técnica
	-	Fallo de carga o batería de iones de litio defectuosa	Retirar la batería de iones de litio del compartimento de carga y repetir la carga Si se produce otro fallo, encargar al fabricante la reparación de la batería de iones de litio, ver Servicio de Asistencia Técnica

9. Servicio de Asistencia Técnica



Peligro de lesiones y/o fallos de funcionamiento.

► **No modificar el producto.**

Si se realizan modificaciones en el equipo técnico, se extingue la garantía y el derecho de garantía, así como las posibles homologaciones.

Direcciones de la Asistencia Técnica

Albert Kerbl GmbH

Felizenzell 9

84428 Buchbach / Germany

Phone: +49 (0) 8086 933-100

Fax: +49 (0) 8086 933-500

E-Mail: info@kerbl.com

www.kerbl.com

En la dirección especificada anteriormente se le facilitará información sobre otras direcciones de Asistencia Técnica.

10. Accesorios/piezas de recambio

N.º art.	Descripción	Versión	Batería de iones de litio	Estación de carga completa	Accesorios
GT644-BL	Bonum versión para bovinos / Set con 1 batería, azul	Europa excepto Gran Bretaña	GT641 (3INR19/66-1)	GT643 (LC40)	GT604 Aceite especial para placas y cabezal de corte
GT646-BL	Bonum versión para bovinos / Set con 2 baterías, azul				
GT654-RO	Bonum versión para caballos / Set con 1 batería, rosa				
GT656-RO	Bonum versión para caballos / Set con 2 baterías, rosa				
GT654-BL	Bonum versión para caballos / Set con 1 batería, azul				
GT656-BL	Bonum versión para caballos / Set con 2 baterías, azul				
GT644G-BL	Bonum versión para bovinos / Set con 1 batería, azul	Gran Bretaña		GT643G (LC40)	GT605 Grasa para engranajes (tubo)
GT646G-BL	Bonum versión para bovinos / Set con 2 baterías, azul				
GT654G-RO	Bonum versión para caballos / Set con 1 batería, rosa				
GT656G-RO	Bonum versión para caballos / Set con 2 baterías, rosa				
GT654G-BL	Bonum versión para caballos / Set con 1 batería, azul				
GT656G-BL	Bonum versión para caballos / Set con 2 baterías, azul				
GT644K-BL	Bonum versión para bovinos / Set con 1 batería, azul	EE UU		GT643K (LC40)	
GT646K-BL	Bonum versión para bovinos / Set con 2 baterías, azul				
GT654K-RO	Bonum versión para caballos / Set con 1 batería, rosa				
GT656K-RO	Bonum versión para caballos / Set con 2 baterías, rosa				
GT654K-BL	Bonum versión para caballos / Set con 1 batería, azul				
GT656K-BL	Bonum versión para caballos / Set con 2 baterías, azul				
GT644A-BL	Bonum versión para bovinos / Set con 1 batería, azul	Australia		GT643A (LC40)	
GT646A-BL	Bonum versión para bovinos / Set con 2 baterías, azul				
GT654A-RO	Bonum versión para caballos / Set con 1 batería, rosa				
GT656A-RO	Bonum versión para caballos / Set con 2 baterías, rosa				
GT654A-BL	Bonum versión para caballos / Set con 1 batería, azul				
GT656A-BL	Bonum versión para caballos / Set con 2 baterías, azul				

11. Datos técnicos

11.1 Esquiladora a batería Bonum

Velocidad	máx. 2 500 1/min
Duración con una batería de iones de litio	aprox. de 70 min a 80 min
Tensión nominal	máx. 10,8 V
Capacidad	máx. 2 A
Peso (con cabezal de corte y batería)	950 g

11.2 Cargador GT643 (LC40)

Gama de voltajes (potencia absorbida)	de 220 V a 240 V
Frecuencia	de 50 Hz a 60 Hz
Tensión de carga/salida	máx. 10,8 V
Corriente de carga/salida	máx. 2,3 A
Peso (con cable y fuente de alimentación)	360 g

11.3 Batería de iones de litio GT621 (3INR19/66-1)

Elementos del acumulador	Li
Tensión nominal	10,8 V
Capacidad	2 Ah
Tiempo de carga	aprox. 53 min
Peso	190 g
Marca de verificación	TÜV-Süd, TÜV NRTL (US-C), CE

11.4 Declaración de conformidad



Declaramos, bajo responsabilidad propia, que este producto cumple las siguientes normas o documentos normativos:
2004/108/EG Directriz de CEM:
DIN EN 60335-1
DIN EN 60335-2-8
Seguridad de los aparatos electrodomésticos y análogos
– requisitos generales
– para máquinas de cortar el pelo
Aesculap Suhl GmbH

12. Eliminación de residuos

Reciclar de forma ecológica las herramientas eléctricas, sus accesorios y sus envases.

12.1 Sólo para países de la UE



No deseche las herramientas eléctricas con la basura doméstica.

En virtud de la Directiva europea 2012/19/UE sobre residuos de aparatos eléctricos y electrónicos, y su transposición, las herramientas eléctricas que han dejado de ser aptas para el uso deben eliminarse mediante una recogida selectiva y reciclarse de forma ecológica.

12.2 Batería de iones de litio

No desechar las baterías de iones de litio con la basura doméstica ni arrojándolas al fuego ni al agua. Las baterías de iones de litio defectuosas o usadas se deben recoger, reciclar o eliminar de forma respetuosa con el medio ambiente según lo dispuesto en la Directiva 2006/66/EG.

13. 2 años de garantía

Apreciado cliente, apreciada clienta:

Le damos las gracias por haber elegido un producto de nuestra casa.

Ya desde hace varias décadas, se asocia la marca Aesculap con productos de acreditada calidad y con un excelente servicio técnico. Ofrecemos a nuestros clientes productos innovadores y con elevadas prestaciones. Aesculap fabrica aparatos de primera calidad y le garantiza el empleo de materiales de alta calidad, así como un proceso de producción impecable. Nos gustaría indicar asimismo que no respondemos de los defectos materiales de nuestros productos cuando se derivan de un uso inadecuado, del desgaste natural del producto o de sus consecuencias, ni cuando no se utilice el producto debidamente ni cuando se use con productos de terceros que sean inapropiados o no funcionen correctamente.

Las piezas que, por lo general, se desgastan son el cabezal de corte y la batería y, por lo tanto, no respondemos de ellas. Asimismo, quedan excluidos aquellos defectos que no afectan o sólo afectan de forma insignificante al valor o la función del producto.

En el caso de responder en el ámbito de nuestra garantía, nos reservamos el derecho de reparar o sustituir el producto.

Tosatrice ad accumulatore Bonum per animali di grossa taglia

Vista d'insieme

Voce	Cod. art.	Denominazione
1	GT647801	1 Alloggiamento testa cesoia montato
2	GT502	1 Contropettine
3	GT501	1 Pettine (per bovini)
	GT505	1 Pettine (per equini)
4	GT610010	1 Vite di arresto
5	GT367201	1 Oscillatore
6	GT367202	2 Perno guida
7	TA008295	6 Molla oscillante
8	GT610307	1 Ponte elastico
9	GT367207	2 Vite di fissaggio
10	GT640225	1 Vite di regolazione
11	GT610405	2 Dado zigrinato
12	GT640220	1 Albero con ruota dentata
13	GT610304	1 Segmento oscillante
14	TA010017	2 Vite, a croce, M4 x 16
15	TA005091	2 Vite
16	GT367803	1 Distanziatore, destra
17	GT367802	1 Distanziatore, sinistra
18	GT367804	1 Oscillatore montato
19	GT146	1 Ausilio per regolazione di precisione Torqui
20	GT800249	1 Tasto On/Off (con LED)
21	GT641 (3INR19/66-1)	1 Accumulatore a ioni di litio
22	GT643 (LC40)	1 Caricabatterie
a	-	1 Punto da oliare tosatrice ad accumulatore
b	-	1 Noce oscillante
c	-	1 Boccola del cuscinetto di spinta
d	-	1 Rondella elastica
e	-	1 Coperchio della custodia
f	-	1 Asta di spinta
g	-	1 Molla ad occhio

Voce	Cod. art.	Denominazione
-	GT604	1 Olio speciale per teste di tosatura e pettini
	GT605	1 Grasso per ingranaggi (tubo)

Simboli sul prodotto



Attenzione, simbolo di avvertimento generale
Attenzione, rispettare i documenti allegati



Marcatura per apparecchi elettrici ed elettronici conformi alla direttiva 2012/19/UE (RAEE), vedere Smaltimento

Indice

1.	Manipolazione sicura	51
2.	Descrizione dell'apparecchio	51
2.1	Corredo di fornitura	51
2.2	Componenti necessari alla messa in funzione	51
2.3	Destinazione d'uso	51
2.4	Funzionamento	52
3.	Preparazione	52
4.	Operatività con tosatrice ad accumulatore, caricabatterie e accumulatore a ioni di litio	52
4.1	Approntamento	52
4.2	Controllo del funzionamento	52
4.3	Collegamento del caricabatterie/ricarica dell'accumulatore a ioni di litio	53
4.4	Sostituzione dell'accumulatore a ioni di litio	54
4.5	Manipolazione della testa di tosatura	54
4.6	Conservazione	56
5.	Pettini	56
5.1	Pettini indicati per la testa di tosatura GT647 versione per bovini/GT657 versione per equini	56
5.2	Combinazioni raccomandate	56
6.	Preparazione	57
6.1	Pulizia/Disinfezione	57
6.2	Controllo e prova	58
7.	Manutenzione	58
8.	Identificazione ed eliminazione dei guasti	58
8.1	Tosatrice ad accumulatore Bonum	58
8.2	Caricabatterie e accumulatore a ioni di litio	58

9.	Assistenza tecnica.....	59
10.	Accessori/Ricambi.....	60
11.	Specifiche tecniche.....	61
11.1	Tosatrice ad accumulatore Bonum.....	61
11.2	Caricabatterie GT643 (LC40).....	61
11.3	Accumulatore a ioni di litio GT621 (3INR19/66-1).....	61
11.4	Dichiarazione di conformità.....	61
12.	Smaltimento.....	61
12.1	Soltanto per i paesi CE.....	61
12.2	Accumulatore a ioni di litio.....	61
13.	2 anni di garanzia.....	61

1. Manipolazione sicura



PERICOLO

Le scosse elettriche comportano pericolo di morte!

- ▶ **Non aprire il prodotto.**
- ▶ **Utilizzare il prodotto soltanto su una rete elettrica con conduttore di protezione.**

- ▶ Prima di utilizzare il prodotto, verificarne l'idoneità funzionale ed accertarsi che sia in perfette condizioni.
- ▶ Conservare il caricabatterie e gli accumulatori a ioni di litio a temperatura ambiente.
- ▶ Mantenere asciutti il caricabatterie e gli accumulatori a ioni di litio.
- ▶ Prima del primo utilizzo caricare gli accumulatori a ioni di litio.
- ▶ Per evitare danni dovuti a un montaggio o un esercizio non corretto e che, come tali, pregiudicano la garanzia:
 - Utilizzare il prodotto solo in conformità alle presenti istruzioni d'uso.
 - Rispettare le informazioni sulla sicurezza e le avvertenze per la manutenzione.
 - Accoppiare solo prodotti Aesculap.
- ▶ Conservare le istruzioni per l'uso in modo che siano accessibili per l'utente.
- ▶ Rispettare le norme vigenti.
- ▶ Accertarsi che l'impianto elettrico dell'ambiente sia conforme ai requisiti CEI.
- ▶ Staccare la spina dalla presa di rete afferrando sempre la spina, mai tirando il cavo.
- ▶ Non utilizzare il prodotto in settori a rischio di esplosione.
- ▶ Se il prodotto è guasto o danneggiato, non utilizzarlo. Se il prodotto è danneggiato, scartarlo immediatamente.

2. Descrizione dell'apparecchio

2.1 Corredo di fornitura

Cod. art.	Descrizione
GT640-BL	Tosatrice Bonum per animali di grossa taglia, per bovini, blu
GT640-RO	Tosatrice Bonum per animali di grossa taglia, per equini, rosa
GT641 (3INR19/66-1)	Accumulatore a ioni di litio
GT643 (LC40)	Caricabatterie incl. cavo di allacciamento alla rete (con spina apparecchio)
TA015304	Istruzioni per l'uso
TA009222	Cacciavite
GT604	Bottiglia di lubrificante

2.2 Componenti necessari alla messa in funzione

- Tosatrice ad accumulatore Bonum
- Caricabatterie
- Cavo di allacciamento alla rete (con spina apparecchio)
- Accumulatore a ioni di litio

2.3 Destinazione d'uso

Tosatrice ad accumulatore Bonum

La tosatrice ad accumulatore Bonum viene utilizzata per tosare animali di grossa taglia come bovini, equini e cani di grandi dimensioni.

Caricabatterie GT643 (LC40)/Accumulatore a ioni di litio GT641 (3INR19/66-1)

Il caricabatterie GT643 (LC40) viene utilizzato per ricaricare l'accumulatore a ioni di litio GT641 (3INR19/66-1).

Tosatrice ad accumulatore Bonum per animali di grossa taglia

2.4 Funzionamento

Tosatrice ad accumulatore Bonum

La tosatrice ad accumulatore Bonum viene accesa e spenta con il tasto ON/OFF 20.

Nota

Per evitare l'accensione e lo spegnimento accidentale dell'apparecchio, il tasto ON/OFF reagisce solo se attivato per >0,5 s.

Caricabatterie GT643 (LC40)/Accumulatore a ioni di litio GT641 (3INR19/66-1)

Il caricabatterie GT643 (LC40) è concepito per un intervallo di tensione di rete da 220 V a 240 V e da 50 Hz a 60 Hz.

Per renderlo idoneo a funzionare, il caricabatterie GT643 (LC40) è collegato alla rete elettrica tramite la spina.

Il caricabatterie GT643 (LC40) ha un pozzetto.

Il procedimento di carica ha inizio automaticamente quando nell'apposita stazione è inserito l'accumulatore a ioni di litio.

La durata della carica dipende dalla condizione di carica e dalla capacità degli accumulatori a ioni di litio.

Principio di carica

Gli accumulatori a ioni di litio sono caricati mediante impulsi di corrente costanti.

La condizione di carica dell'accumulatore a ioni di litio è sorvegliata durante la ricarica. Il monitoraggio della curva di carica assicura una carica al 100 % senza sovraccariche.

Inoltre vengono monitorate la temperatura e la durata della carica degli accumulatori.

L'indicatore della condizione di carica **f** dell'accumulatore a ioni di litio ha 5 LED. Ogni LED indica un volume di carica pari al 20 %. Se l'accumulatore è in carica, il LED della condizione di carica corrispondente lampeggia. Se tutti i LED sono accesi fissi, l'accumulatore è completamente caricato.

Durata della carica

Al raggiungimento della durata massima della carica, il procedimento di carica è interrotto. La durata della carica è di circa 53 min.

3. Preparazione

Il mancato rispetto delle seguenti disposizioni fa sì che Aesculap non si assuma alcuna garanzia in merito.

- ▶ Nell'installazione ed esercizio del prodotto è necessario rispettare:
 - Le norme nazionali sull'installazione ed i gestori,
 - La normativa nazionale sulla protezione da incendi ed esplosioni,
 - Avvertenze per l'impiego come da disposizioni CEI/VDE.

4. Operatività con tosatrice ad accumulatore, caricabatterie e accumulatore a ioni di litio

4.1 Approntamento

Collegamento degli accessori

Le combinazioni di accessori non menzionate nelle istruzioni per l'uso possono essere utilizzate soltanto se espressamente destinate all'applicazione prevista. Caratteristiche e sicurezza non devono risultare pregiudicate.

4.2 Controllo del funzionamento

Tosatrice ad accumulatore Bonum

- ▶ Eseguire un controllo visivo.
- ▶ Spingere l'accumulatore a ioni di litio **21** nel pozzetto della macchina finché non scatta in posizione.
- ▶ L'indicatore di funzionamento **d** indica lo stato di carica.

Nota

Per evitare che l'accumulatore a ioni di litio si scarichi mentre l'apparecchio non viene utilizzato, il collegamento elettronico dell'accumulatore a ioni di litio per il comando della tosatrice ad accumulatore viene scollegato dopo 1 h.

- ▶ Riattivare l'accumulatore a ioni di litio **38**: azionare il tasto **g**, vedere Fig. E.
- Tutti i LED dell'indicatore della condizione di carica **f** si accendono.

Caricabatterie/Accumulatore a ioni di litio

- ▶ Eseguire un controllo visivo.
- ▶ Prima di collegare il prodotto alla rete di alimentazione:
 - Verificare che il cavo di allacciamento alla rete non sia danneggiato.
 - Controllare che il prodotto non presenti danni (ad es. contatti del pozzetto di carica deformato).
- ▶ Inserire la spina di rete nella presa della rete di alimentazione.
- ▶ Posizionare l'accumulatore a ioni di litio **21** nel pozzetto del caricabatterie e procedere al caricamento, vedere Fig. F.

4.3 Collegamento del caricabatterie/ricarica dell'accumulatore a ioni di litio



Pericolo di incendio in caso di cortocircuito dei poli causato da liquidi o parti metalliche!

- ▶ Non cortocircuitare l'accumulatore a ioni di litio.



Pericolo di lesione a causa di cavo di allacciamento alla rete danneggiato!

- ▶ Prima di procedere con il caricamento verificare che il cavo di allacciamento alla rete non presenti danni.
- ▶ In caso di cavo di allacciamento alla rete danneggiato, farlo sostituire dal produttore.



Pericolo di lesioni e danni materiali da accumulatore a ioni di litio danneggiato!

- ▶ Prima di ricaricare l'accumulatore a ioni di litio controllare che non sia danneggiato.
- ▶ Non usare o ricaricare un accumulatore a ioni di litio danneggiato.



Perdita di capacità/degrado delle prestazioni dell'accumulatore a ioni di litio scarico in seguito a lunga inattività!

- ▶ In caso di lunghe conservazioni, conservare gli accumulatori a ioni di litio soltanto a piena carica e ricaricandoli una volta al mese.



Distruzioni del prodotto, del pozzetto di carica o dell'accumulatore a ioni di litio causate dall'inserimento di modelli di accumulatore errati nel pozzetto di carica!

- ▶ Inserire l'accumulatore a ioni di litio soltanto nell'apposito pozzetto.

Nota

Prima della messa in servizio occorre assicurarsi che la tensione di rete e la frequenza di rete indicate sulla targhetta di omologazione coincida con i dati della rete elettrica. Quando si collega il caricabatterie si raccomanda di utilizzare almeno interruttori differenziali del tipo F con una corrente di apertura di max. 30 mA.

Nota

Questo caricabatterie può essere utilizzato da bambini a partire da 8 anni e da persone con ridotte capacità fisiche, sensoriali o mentali o senza esperienza o conoscenza del prodotto, solo se sorvegliati e se sono stati istruiti sull'uso sicuro dell'apparecchio e se sono consapevoli dei pericoli derivanti dall'uso.

- ▶ I bambini non devono giocare con l'apparecchio.
- ▶ La pulizia e la manutenzione da parte dell'utilizzatore non possono essere eseguite da bambini non sorvegliati.

Aesculap®

Tosatrice ad accumulatore Bonum per animali di grossa taglia

Nota

Durante il procedimento di carica l'accumulatore a ioni di litio si surriscalda leggermente.

Nota

Quando non si lavora con il caricabatterie, il cavo di allacciamento alla rete deve essere staccato dalla presa.

- ▶ Utilizzare esclusivamente il caricabatterie GT643 (LC40) GT803 per ricaricare gli accumulatori a ioni di litio.

- ▶ Inserire la spina del caricabatterie **22**.

Il LED dell'indicatore di funzionamento **d** e il LED dell'indicatore di avvertimento **e** si accendono uno dopo l'altro per circa 1 secondo, vedere Fig. F.

- ▶ Inserire l'accumulatore a ioni di litio **21** fino alla battuta nel pozzetto del caricabatterie **22**, vedere Fig. F.

Il LED dell'indicatore di funzionamento **d** lampeggia e l'accumulatore a ioni di litio **21** viene ricaricato.

Se il LED dell'indicatore di funzionamento è acceso fisso, l'accumulatore a ioni di litio è completamente caricato.

4.4 Sostituzione dell'accumulatore a ioni di litio

- ▶ Tenere la tosatrice ad accumulatore **g** con la testa di tosatura rivolta verso il basso, in modo che l'accumulatore a ioni di litio **21** non cada quando viene staccato, vedere Fig. 1.

- ▶ Staccare il blocco accumulatore **f** con il pollice.



Fig. 1

- ▶ Estrarre il caricatore a ioni di litio **21**, procedere al caricamento e/o inserire l'accumulatore a ioni di litio GT641 (31NR19/66-1) nella tosatrice ad accumulatore **g**, vedere Fig. 2.



Fig. 2

4.5 Manipolazione della testa di tosatura

Oliatura della testa di tosatura



In caso di scorretta oliatura la tosatrice o la testa di tosatura potrebbero subire danneggiamenti!

- ▶ Eseguire sempre la lubrificazione della testa di tosatura solo con la tosatrice in funzione.
- ▶ Non immergere mai la tosatrice e la testa di tosatura in liquidi.
- ▶ Utilizzare un olio lubrificante leggero GT604.

- ▶ Oliare abbondantemente la testa di tosatura nel punto **a** prima di procedere con ogni animale, vedere Fig. A.

- ▶ Oliare le molle **7** 2-3 volte al giorno con 3-4 gocce di olio, vedere Fig. C.

Ingrassaggio dell'ingranaggio



In caso di scorretto ingrassaggio la tosatrice o l'ingranaggio potrebbero subire danneggiamenti!

- ▶ **Utilizzare esclusivamente grasso per ingranaggi GT605.**
- ▶ **Ingrassare l'ingranaggio 1-2 volte per stagione di tosatura.**

- ▶ Sbloccare e rimuovere l'accumulatore a ioni di litio **21**.
- ▶ Svitare entrambe le viti **14**, vedere Fig. B.
- ▶ Guardando la testa di tosatura, farla ruotare di circa 15° verso sinistra ed estrarla dalla custodia del motore.
- ▶ Applicare ca. 1 cm di grasso su due punti opposti dell'ingranaggio **12**, vedere Fig. C.
- ▶ Inserire con cautela la testa di tosatura sul motore. accertandosi che venga montata girata di circa 15° verso sinistra e che il nasetto inferiore vada ad inserirsi nella scanalatura della custodia del motore.

Sostituzione dei pettini

- ▶ Sbloccare e rimuovere l'accumulatore a ioni di litio **21**.
- ▶ Allentare il dado zigrinato **11** e svitare la vite di regolazione **10** di ca. 2 giri, vedere Fig. A.
- ▶ Allentare le due viti di arresto **4**, estrarre il contropettine **2** in avanti e rimuovere il pettine **3**, vedere Fig. A e Fig. E.
- ▶ Prima di inserire il pettine **3** assicurarsi che il segmento oscillante **13** si trovi nell'apposita feritoia dell'oscillatore **5**, vedere Fig. E.
- ▶ Inserire il pettine **3**. Durante questa operazione assicurarsi che le due punte **b** dell'oscillatore **5** si inseriscano esattamente nei fori **c** del pettine **3** vedere Fig. D.
- ▶ Spingere il contropettine **2** sotto le teste delle viti di arresto **4** fino a fine corsa nell'alloggiamento testa cesoia e stringere le due viti di arresto **4**.
- ▶ Avvitare la vite di regolazione **10** finché i due pettini premono leggermente l'uno contro l'altro, vedere Fig. A.

Pulizia della testa di tosatura

- ▶ Pulire la testa di tosatura almeno dopo una giornata di utilizzo oppure in caso di sporcizia.
- ▶ Sbloccare e rimuovere l'accumulatore a ioni di litio **38**.
- ▶ Svitare entrambe le viti **6**, vedere Fig. B.
- ▶ Guardando la testa di tosatura, farla ruotare di circa 15° verso sinistra ed estrarla dalla custodia del motore.
- ▶ Rimuovere i pettini, vedere Sostituzione dei pettini.
- ▶ Pulire in profondità la parte interna e i singoli componenti della testa di tosatura con una spazzola o un pennello.
- ▶ Inserire e stringere i pettini, vedere Sostituzione dei pettini.
- ▶ Ingrassare l'ingranaggio, vedere Ingrassaggio dell'ingranaggio.
- ▶ Inserire con cautela la testa di tosatura sul motore. accertandosi che venga montata girata di circa 15° verso sinistra e che il nasetto inferiore vada ad inserirsi nella scanalatura della custodia del motore.
- ▶ Oliare la testa di tosatura, vedere Oliatura della testa di tosatura.

Regolare la pressione della placca con l'ausilio per regolazione di precisione GT146 (disponibile come optional)

Nota

Per la regolazione ottimale della pressione della placca il produttore consiglia l'ausilio per regolazione di precisione GT146.

- ▶ Inserire l'ausilio per regolazione di precisione GT146 **19** nei 2 fori della vite di regolazione **10**

Nota

Le viti a testa zigrinata di teste di taglio più vecchie, che non hanno 2 fori, possono essere ammodernate con la vite di regolazione GT147.

Tosatrice ad accumulatore Bonum per animali di grossa taglia

Regolazione della pressione dei pettini

Nota

La regolazione della pressione dei pettini deve avvenire con apparecchio acceso e senza l'ausilio di utensili.

Nota

Una pressione eccessiva dei pettini causa un eccessivo riscaldamento e un'usura troppo elevata dei pettini.

- ▶ Allentare il dado zigrinato **11** e svitare con cautela la vite di regolazione **10**, finché il pettine **3** non preme più contro il contropettine **2** (diverso rumore di funzionamento), vedere Fig. A.
- ▶ Avvitare la vite di regolazione **10**, finché non viene percepita una leggera resistenza. Da questo punto avvitare ancora di un giro e stringere di dato zigrinato **11**.

Pulizia della testa di tosatura

- ▶ Pulire la testa di tosatura almeno dopo una giornata di utilizzo oppure in caso di sporcizia.
- ▶ Sbloccare e rimuovere l'accumulatore a ioni di litio **21**.
- ▶ Svitare entrambe le viti **14**, vedere Fig. B.
- ▶ Guardando la testa di tosatura, farla ruotare di circa 15° verso sinistra ed estrarla dalla custodia del motore.
- ▶ Rimuovere i pettini, vedere Sostituzione dei pettini.
- ▶ Pulire in profondità la parte interna e i singoli componenti della testa di tosatura con una spazzola o un pennello.
- ▶ Inserire e stringere i pettini, vedere Sostituzione dei pettini.
- ▶ Applicare grasso sulla ruota dentata, vedere Ingrassaggio della ruota dentata.
- ▶ Inserire con cautela la testa di tosatura sul motore. accertandosi che venga montata girata di circa 15° verso sinistra e che il nasetto inferiore vada ad inserirsi nella scanalatura della custodia del motore.
- ▶ Oliatura della testa di tosatura vedere Oliatura della testa di tosatura

Riaffilatura dei pettini

- ▶ Per rafilare i pettini rivolgersi all'Assistenza Tecnica, vedere Assistenza tecnica.

4.6 Conservazione

- ▶ Prima mettere da parte l'apparecchio, procedere alla pulizia di tosatrice e pettini, vedere Preparazione.
- ▶ Riporre la tosatrice in un luogo asciutto, buio e pulito.

5. Pettini

5.1 Pettini indicati per la testa di tosatura GT647 versione per bovini/GT657 versione per equini

Cod. art.	Descrizione
GT501	Pettine a 15 denti
GT502	Contropettine a 31 denti, altezza di tosatura 3 mm
GT503	Pettine a 17 denti
GT504	Contropettine a 18 denti, altezza di tosatura 3 mm
GT505	Pettine a 23 denti
GT506	Contropettine a 23 denti, altezza di tosatura 3 mm
GT508	Contropettine a 51 denti, altezza di tosatura 1 mm
GT510	Come GT506, ma con altezza di tosatura 5 mm
GT511	Come GT502, ma con altezza di tosatura 1 mm

5.2 Combinazioni raccomandate

Combinazione	Pettine/Contropettine	Adatto per
A denti stretti	GT501/GT502	Bovini ed equini (dotazione standard)
	GT501/GT511	Tosatura industriale
	GT505/GT502	Equini e bovini – tosatura standard liscia
	GT505/GT508	Equini e bovini (tosatura mammella) e tosatura industriale
A denti mediamente stretti	GT505/GT511	Equini e bovini – per tosatura liscia, molto?precisa
	GT505/GT506	Bovini, cani e capre
A denti larghi	GT505/GT510	Cani e capre
	GT503/GT504	Bovini, ovini e ovini a vello sottile

6. Preparazione

6.1 Pulizia/Disinfezione



PERICOLO

Pericolo di scosse elettriche ed incendi!

- ▶ Prima della pulizia:
 - Staccare la spina dal carica-batterie.
 - Sbloccare l'accumulatore a ioni di litio e rimuovere la tosatrice ad accumulatore.
- ▶ Non utilizzare detergenti e disinfettanti infiammabili ed esplosivi.
- ▶ Accertarsi che nel prodotto non penetri alcun liquido.



ATTENZIONE

Danni o distruzione del prodotto causati dalla pulizia automatica/disinfezione!

- ▶ Pulire/disinfettare il prodotto solo manualmente.
- ▶ Non sterilizzare mai il prodotto.



ATTENZIONE

Danni al prodotto causati da detergenti/disinfettanti non idonei!

- ▶ Usare detergenti/disinfettanti ammessi per la disinfezione delle superfici secondo le istruzioni del produttore.
 - ▶ Non immergere mai il prodotto in acqua o detergente.
 - ▶ Non introdurre liquidi nei pozzetti di carica.
 - ▶ Pulire i contatti del pozzetto con la massima cura.
- ▶ Passare la scocca del prodotto con un telo non sfilacciante inumidito con un normale prodotto idoneo per la disinfezione per strofinamento.
 - ▶ Se necessario, dopo il relativo tempo d'azione eliminare i residui di detergenti e disinfettanti con un telo non sfilacciante inumidito con acqua pulita.
 - ▶ Per asciugare usare un telo non sfilacciante pulito.
 - ▶ Pulire i contatti dei pozzetti con isopropanolo o alcool etilico ed un bastoncino cotonato. Non usare prodotti chimici che favoriscano la corrosione.
 - ▶ Se necessario, ripetere la pulizia/disinfezione.

Aesculap®

Tosatrice ad accumulatore Bonum per animali di grossa taglia

6.2 Controllo e prova

- ▶ Far raffreddare il prodotto a temperatura ambiente.
- ▶ Dopo ogni pulizia e disinfezione, verificare che il prodotto sia pulito, perfettamente funzionante e non danneggiato.
- ▶ Controllare che il prodotto non presenti danni, rumori da funzionamento anomali, surriscaldamenti eccessivi o vibrazioni troppo forti.
- ▶ Sottoporre la testa di taglio a un controllo mirante ad escludere che i taglienti siano rotti, danneggiati e smussi.
- ▶ Se il prodotto è danneggiato, scartarlo immediatamente.

7. Manutenzione

Per garantire un funzionamento affidabile, raccomanda una manutenzione **almeno una volta all'anno**.

8. Identificazione ed eliminazione dei guasti

8.1 Tosatrice ad accumulatore Bonum

Anomalia	Causa	Rimedio
La tosatrice non parte	Accumulatore a ioni di litio non caricato	Caricare l'accumulatore a ioni di litio
	Accumulatore a ioni di litio guasto	Inserire un nuovo accumulatore a ioni di litio
	Accumulatore a ioni di litio non inserito	Inserire l'accumulatore a ioni di litio
La tosatrice ad accumulatore rimane ferma durante il funzionamento	Accumulatore a ioni di litio disattivato dal circuito di protezione	Spegnere e riaccendere la tosatrice ad accumulatore
	L'accumulatore a ioni di litio è vuoto	Inserire un nuovo accumulatore a ioni di litio

8.2 Caricabatterie e accumulatore a ioni di litio

Anomalia	Identificazione	Causa	Rimedio
Caricabatterie non funzionante	L'indicatore LED "Accumulatore" non si illumina	Cavo di allacciamento alla rete non inserito	Inserire il cavo di allacciamento alla rete nella presa della rete di alimentazione
	Accumulatore a ioni di litio non caricato	Conduttura di allacciamento alla rete guasta	Far riparare il caricabatterie dal produttore, vedere Assistenza tecnica
		Accumulatore a ioni di litio guasto	Far riparare l'accumulatore a ioni di litio dal produttore, vedere Assistenza tecnica

Anomalia	Identificazione	Causa	Rimedio
L'accumulatore a ioni di litio non è caricato	Accumulatore a ioni di litio inserito, l'indicatore della condizione di carica non si illumina	Contatti del caricabatterie sporchi	Pulire i contatti nel pozzetto, vedere Preparazione
	-	Contatti del caricabatterie danneggiati	Far riparare il caricabatterie dal produttore, vedere Assistenza tecnica
	-	Accumulatore a ioni di litio guasto	Far riparare l'accumulatore a ioni di litio dal produttore, vedere Assistenza tecnica
	-	Caricabatterie guasto	Far riparare il caricabatterie dal produttore, vedere Assistenza tecnica
	-	Durante il caricamento nell'accumulatore a ioni di litio viene rilevata una temperatura troppo alta	Togliere l'accumulatore a ioni di litio dal pozzetto, lasciarlo raffreddare e ripetere il procedimento di carica
	-	Problema di caricamento o accumulatore a ioni di litio guasto	Togliere l'accumulatore a ioni di litio dal pozzetto e ripetere il procedimento di carica Se l'anomalia si ripresenta: far riparare l'accumulatore a ioni di litio dal produttore, vedere Assistenza tecnica

9. Assistenza tecnica



Pericolo di lesioni e/o malfunzionamenti!

► **Non modificare il prodotto.**

Eventuali modifiche di queste attrezzature tecniche possono comportare il decadere dei diritti di garanzia e delle omologazioni.

Indirizzi dei centri assistenza

Albert Kerbl GmbH

Felizenzell 9

84428 Buchbach / Germany

Phone: +49 (0) 8086 933-100

Fax: +49 (0) 8086 933-500

E-mail: info@kerbl.com

www.kerbl.com

Gli altri indirizzi dell'assistenza possono essere richiesti all'indirizzo predefinito.

Tosatrice ad accumulatore Bonum per animali di grossa taglia

10. Accessori/Ricambi

Cod. art.	Descrizione	Esecuzione	Accumulatore a ioni di litio	Stazione di caricamento completa	Accessori
GT644-BL	Bonum Versione per bovini / Set con 1 accumulatore, blu	Europa tranne Gran Bretagna	GT641 (3INR19/66-1)	GT643 (LC40)	GT604 Olio speciale per pettini e testa di tosatura
GT646-BL	Bonum Versione per bovini / Set con 2 accumulatori, blu				
GT654-RO	Bonum Versione per equini / Set con 1 accumulatore, rosa				
GT656-RO	Bonum Versione per equini / Set con 2 accumulatori, rosa				
GT654-BL	Bonum Versione per equini / Set con 1 accumulatore, blu				
GT656-BL	Bonum Versione per equini / Set con 2 accumulatori, blu				
GT644G-BL	Bonum Versione per bovini / Set con 1 accumulatore, blu	Gran Bretagna		GT643G (LC40)	GT605 Grasso per ingranaggi (tubo)
GT646G-BL	Bonum Versione per bovini / Set con 2 accumulatori, blu				
GT654G-RO	Bonum Versione per equini / Set con 1 accumulatore, rosa				
GT656G-RO	Bonum Versione per equini / Set con 2 accumulatori, rosa				
GT654G-BL	Bonum Versione per equini / Set con 1 accumulatore, blu				
GT656G-BL	Bonum Versione per equini / Set con 2 accumulatori, blu				
GT644K-BL	Bonum Versione per bovini / Set con 1 accumulatore, blu	USA		GT643K (LC40)	
GT646K-BL	Bonum Versione per bovini / Set con 2 accumulatori, blu				
GT654K-RO	Bonum Versione per equini / Set con 1 accumulatore, rosa				
GT656K-RO	Bonum Versione per equini / Set con 2 accumulatori, rosa				
GT654K-BL	Bonum Versione per equini / Set con 1 accumulatore, blu				
GT656K-BL	Bonum Versione per equini / Set con 2 accumulatori, blu				
GT644A-BL	Bonum Versione per bovini / Set con 1 accumulatore, blu	Australia		GT643A (LC40)	
GT646A-BL	Bonum Versione per bovini / Set con 2 accumulatori, blu				
GT654A-RO	Bonum Versione per equini / Set con 1 accumulatore, rosa				
GT656A-RO	Bonum Versione per equini / Set con 2 accumulatori, rosa				
GT654A-BL	Bonum Versione per equini / Set con 1 accumulatore, blu				
GT656A-BL	Bonum Versione per equini / Set con 2 accumulatori, blu				

11. Specifiche tecniche

11.1 Tosatrice ad accumulatore Bonum

Cadenza	max. 2 500 1/min
Tempo di funzionamento con accumulatore a ioni di litio	da ca. 70 min a 80 min
Tensione nominale	max. 10,8 V
Capacità	max. 2 A
Peso (con testa di tosatura e accumulatore)	950 g

11.2 Caricabatterie GT643 (LC40)

Intervalli di tensione di rete (corrente assorbita)	220 V/240 V
Frequenza	da 50 Hz a 60 Hz
Tensione di carica/uscita	max. 10,8 V
Corrente di carica/uscita	max. 2,3 A
Peso (con cavo e alimentatore)	360 g

11.3 Accumulatore a ioni di litio GT621 (3INR19/66-1)

Tipo di pila	Li
Tensione nominale	10,8 V
Capacità	2 Ah
Durata della carica	ca. 53 min
Peso	190 g
Marchio di prova	TÜV-Süd, TÜV NRTL (US-C), CE

11.4 Dichiarazione di conformità



Dichiariamo, sotto nostra esclusiva responsabilità, che questo prodotto è conforme alle seguenti norme o documenti normativi:

2004/108/CE Direttiva EMV:

DIN EN 60335-1

DIN EN 60335-2-8

Sicurezza degli apparecchi elettrici d'uso domestico e similare

- - requisiti generali

- - per gli apparecchi per la cura della pelle e dei capelli

Aesculap Suhl GmbH

12. Smaltimento

Gli elettrodomestici, gli accessori e l'imballo devono essere conferiti ad un impianto di riciclaggio ecocompatibile.

12.1 Soltanto per i paesi CE



Non gettare gli elettrodomestici nei rifiuti domestici! In ottemperanza alla Direttiva Europea 2012/19/UE sui rifiuti da apparecchiature elettriche ed elettroniche e la relativa attuazione nell'ambito della legislazione nazionale, gli elettrodomestici giunti a fine vita devono essere raccolti separatamente e conferiti ad un impianto di riciclaggio ecocompatibile.

12.2 Accumulatore a ioni di litio

Non gettare gli accumulatori a ioni di litio nei rifiuti domestici, né in fiamme o acqua. Gli accumulatori a ioni di litio guasti o esausti devono essere raccolti, riciclati o smaltiti in maniera ecologicamente corretta ai sensi della direttiva 2006/66/CE.

13. 2 anni di garanzia

Gentile/egregio cliente,

grazie per aver preferito un prodotto della nostra azienda.

Il nome Aesculap è da decenni sinonimo di qualità controllata e servizio di altissimo livello. Ai nostri clienti offriamo prodotti innovativi e prestanti. Aesculap fabbrica apparecchi di alta qualità e assicura l'impiego di materiali di qualità e una fabbricazione accurata. Desideriamo ricordarle che non ci assumiamo responsabilità alcuna per i vizi materiali se tali vizi derivano da utilizzo non conforme, usura normale o dal fatto che il prodotto venga usato in modo inadeguato o se vengono impiegati prodotti esterni non adeguati o non perfettamente funzionanti.

I componenti normalmente sottoposti ad usura e per i quali non ci assumiamo perciò alcuna responsabilità, sono l'accumulatore e la testa di taglio. Allo stesso modo fanno eccezione i vizi materiali che non influiscono sul funzionamento o lo fanno in modo non determinante.

Qualora fossimo responsabili in base alla garanzia, ci riserviamo di riparare o sostituire il prodotto.

Aesculap®

Accu scheermachine Bonum voor grote dieren

Overzicht

Pos.	Art.nr.	Benaming
1	GT647801	1 Gemonteerd scheerkophuis
2	GT502	1 Ondermes
3	GT501	1 Bovenste snijplaat (voor runderen)
	GT505	1 Bovenste snijplaat (voor paarden)
4	GT610010	1 Bevestigingsschroef
5	GT367201	1 Oscillator
6	GT367202	2 Geleidepen
7	TA008295	6 Oscillerende bladveer
8	GT610307	1 Verend brugdeel
9	GT367207	2 Fixeerschroef
10	GT640225	1 Stelschroef
11	GT610405	2 Kartelmoer
12	GT640220	1 As met tandwiel
13	GT610304	1 Trilblokje
14	TA010017	2 Bout, kruis, M4 x 16
15	TA005091	2 Schroef
16	GT367803	1 Spacer, rechts
17	GT367802	1 Spacer, links
18	GT367804	1 Oscillator gemonteerd
19	GT146	1 Precisie-aanpassingshulp Torqui
20	GT800249	1 Aan/uit-knop (met LED)
21	GT641 (31NR19/66-1)	1 Li-ion-accu
22	GT643 (LC40)	1 Lader
a	-	1 Smeerpunt accu-tondeuse
b	-	1 Trillende moer
c	-	1 Druklagerhuls
d	-	1 Veerring
e	-	1 Scheerkopdeksel
f	-	1 Drukstang
g	-	1 Veertje voor drukstang
-	GT604	1 Speciale olie voor scheerkop en messen
	GT605	1 Tandwielvet (tube)

Symbolen op het product



Let op: algemeen waarschuwingssymbool
Let op: volg de bijgesloten documentatie



Aanduiding van elektrische en elektronische apparaten conform richtlijn 2012/19/EU (AEEA), zie Verwijdering

Inhoudsopgave

1.	Veilig gebruik	63
2.	Beschrijving van het apparaat	63
2.1	Leveringsomvang	63
2.2	Benodigde componenten voor het gebruik	63
2.3	Gebruiksdoel	63
2.4	Werkingsprincipe	64
3.	Voorbereiding	64
4.	Gebruik van de draadloze tondeuze, acculader en Li-ion-accu	64
4.1	Opstellen	64
4.2	Functionele test	64
4.3	Lader aansluiten/Li-ion-accu laden	65
4.4	Li-ion-accu vervangen	66
4.5	Gebruik van de scheerkop	66
4.6	Opslag	68
5.	Messen	68
5.1	Snijplaten passend bij scheerkop GT647 runderversie/GT657 paardenversie	68
5.2	Aanbevolen combinaties	68
6.	Reinigingsbehandeling	69
6.1	Reiniging/desinfectie	69
6.2	Controle en testen	70
7.	Onderhoud	70
8.	Opsporen en verhelpen van fouten	70
8.1	Accu-tondeuse Bonum	70
8.2	Lader en Li-ion-accu	70
9.	Technische dienst	71
10.	Accessoires/Reserveonderdelen	72
11.	Technische specificaties	73
11.1	Accu-tondeuse Bonum	73
11.2	Laadapparaat GT643 (LC40)	73
11.3	Li-ion accu GT621 (31NR19/66-1)	73
11.4	Verklaring van conformiteit	73
12.	Verwijdering	73
12.1	Alleen voor EU-landen	73

12.2	Li-ion-accu	73
13.	2 Jaar garantie	73

1. Veilig gebruik



Levensgevaar door elektrische schok!

- ▶ **Product niet openen.**
- ▶ **Sluit dit product uitsluitend aan op een voedingsnet met rand-aarde.**

- ▶ Vóór gebruik van het product functionaliteit en op correcte toestand controleren.
- ▶ Laadapparaat en li-ion-accu bij kamertemperatuur bewaren.
- ▶ Houd de lader en de Li-ion-accu's droog.
- ▶ Laad de Li-ion-accu voor het eerste gebruik.
- ▶ Om beschadiging ten gevolge van een ondeskundige montage of foutief gebruik te vermijden en de garantie en aansprakelijkheid niet in het geding te brengen:
 - Gebruik dit product uitsluitend overeenkomstig deze gebruiksaanwijzing.
 - Volg de veiligheidsinformatie en de onderhoudsinstructies op.
 - Combineer alleen Aesculap-producten met elkaar.
- ▶ Bewaar deze gebruiksaanwijzing op een plaats die toegankelijk is voor de gebruiker.
- ▶ Leef de toepasselijke normen na.
- ▶ Zorg ervoor dat de elektrische installatie op de plaats van gebruik aan de IEC-normen voldoet.
- ▶ Trek de voedingskabel altijd aan de stekker uit het stopcontact en nooit aan de kabel zelf.
- ▶ Gebruik dit product niet in een explosiegevaarlijke ruimte.
- ▶ Gebruik geen beschadigde of defecte producten. Houd beschadigde producten onmiddellijk apart.

2. Beschrijving van het apparaat

2.1 Leveringsomvang

Art.nr.	Benaming
GT640-BL	Scheermachine Bonum voor runderen, blauw
GT640-RO	Scheermachine Bonum voor grote dieren voor paarden, roze
GT641 (3INR19/66-1)	Li-ion-accu
GT643 (LC40)	Laadapparaat incl. netkabel (met apparaatstekker)
TA015304	Gebruiksaanwijzing
TA009222	Schroevendraaier
GT604	Olieflesje

2.2 Benodigde componenten voor het gebruik

- Accu-tondeuse Bonum
- Lader
- Voedingskabel (met apparaatstekker)
- Li-ion-accu

2.3 Gebruiksdoel

Accu-tondeuse Bonum

De accu-tondeuse Bonum wordt gebruikt voor het scheren van grote dieren zoals runderen, paarden en grote honden.

Laadapparaat GT643 (LC40)/li-ion-accu GT641 (3INR19/66-1)

Het laadapparaat GT643 (LC40) wordt gebruikt voor het laden van de li-ion-accu's GT641 (3INR19/66-1).

Aesculap®

Accu scheermachine Bonum voor grote dieren

2.4 Werkingsprincipe

Accu-tondeuse Bonum

De accu-tondeuse Bonum wordt met de Aan-/Uitknop 20 in- en uitgeschakeld.

Opmerking

Om een onopzettelijk in-/uitschakelen van de machine te voorkomen, reageert de A-Uit-knop pas na een activering >0,5 s.

Laadapparaat GT643 (LC40)/li-ion-accu GT641 (3INR19/66-1)

Het laadapparaat GT643 (LC40) is ontworpen voor een netspanningsbereik van 220 V tot 240 V en van 50 Hz tot 60 Hz.

Voor het tot stand brengen van de gereedheid voor gebruik wordt het laadapparaat GT643 (LC40) met de netstekker aangesloten op het voedingsnet.

Het laadapparaat GT643 (LC40) beschikt over een laadschacht.

Met het insteken van een lithium-ion-accu in het laadstation, start de laadprocedure automatisch.

De laadduur is afhankelijk van de ladingstoestand en capaciteit van de Li-ion-accu's.

Laadprincipe

De Li-ion-accu's worden opgeladen met constante stroompulsen.

De laadtoestand van de Li-ion-accu wordt tijdens het laden continu bewaakt. Door de bewaking van de laadcurve wordt een 100 %-lading zonder overbelasten gewaarborgd.

Daarnaast worden de temperatuur van de accu en de laadduur gecontroleerd.

De aanduiding van de laadtoestand **f** van de Li-ion-accu's heeft 5 LED's. Elke LED staat voor 20 % laadvolume. Als de accu wordt opgeladen, knippert de LED van de betreffende laadtoestand. Als alle LEDs zonder onderbreking branden, is de accu helemaal opgeladen.

Laadduur

Wanneer de maximale laadduur is bereikt, wordt het laadproces afgebroken. De laadduur bedraagt ca. 53 min.

3. Voorbereiding

Wanneer de volgende voorschriften niet worden nageleefd, wijst Aesculap elke aansprakelijkheid van de hand.

- ▶ Bij de opstelling en het gebruik van dit product moeten onderstaande voorschriften worden nageleefd:
 - de nationale installatie- en gebruikersvoorschriften,
 - de nationale voorschriften aangaande brand- en explosiepreventie,
 - gebruiksinstructies conform de IEC-/VDE-bepalingen.

4. Gebruik van de draadloze tondeuse, acculader en Li-ion-accu

4.1 Opstellen

Accessoires aansluiten

Combinaties van accessoires die niet in deze gebruiksaanwijzing worden vermeld, mogen uitsluitend worden gebruikt als ze uitdrukkelijk voor de beoogde toepassing bestemd zijn. De vermogenskenmerken en veiligheidsaspecten mogen daarbij niet nadelig worden beïnvloed.

4.2 Functionele test

Accu-tondeuse Bonum

- ▶ Voer een visuele inspectie uit.
- ▶ Li-ion-accu 21 in de machineschacht schuiven tot hij inklikt.
- ▶ Het bedrijfsdisplay **d** geeft de laadtoestand aan.

Opmerking

Om te voorkomen dat de Li-ion-accu bij niet gebruik maken van de machine ontladtd, wordt de elektronische verbinding van de lithium-ion batterij voor besturing van de accu-tondeuse na 1 h losgekoppeld.

- ▶ Li-ion-accu 38 reactiveren: knop **g** indrukken, zie Afb. E.
Alle LEDs van de aanduiding van de laadtoestand **f** lichten op.

Acculader/Li-ion-accu

- ▶ Voer een visuele inspectie uit.
- ▶ Alvorens het product op het voedingsnet aan te sluiten:
 - controleer het netsnoer op eventuele beschadigingen.
 - Product op mogelijke beschadigingen controleren (bijv. contacten van laadschacht op verbogen contacten controleren).
- ▶ Steek de netstekker in het stopcontact van het voedingsnet.
- ▶ Li-ion-accu 21 in de laadschacht van het laadapparaat plaatsen en opladen, zie Afb. F.



Vernieling van het product, de laadschacht of de Li-ion-accu door een verkeerd accutype in de laadschacht te steken!

- ▶ Steek de Li-ion-accu's enkel in de daarvoor voorziene laadschachten.

4.3 Lader aansluiten/Li-ion-accu laden



Brandgevaar bij kortsluiting van de polen door vloeistoffen of metalen onderdelen!

- ▶ Voorkom kortsluiting van de Li-ion-accu.



Kans op letsel door beschadigde stroomkabel!

- ▶ Controleer de voedingskabel voor het laden op beschadigingen.
- ▶ Laat een beschadigde voedingskabel door de fabrikant vervangen.



Gevaar voor verwondingen en materiële schade door beschadigde Li-ion-accu's!

- ▶ Controleer de Li-ion-accu's op beschadigingen alvorens ze op te laden.
- ▶ Beschadigde Li-ion-accu's mogen niet worden gebruikt of opgeladen.



Afname van vermogen/prestatievermogen van de ontladen accu door langdurige opslag!

- ▶ Berg de Li-ion-accu enkel volledig geladen op voor langere tijd en laad hem maandelijks bij.

Opmerking

Voor de inbedrijfstelling, moet worden verzekerd, dat de op het typeplaatje aangegeven netspanning en netfrequentie overeenstemt met de gegevens van het stroomnet. Bij aansluiting van het laadapparaat wordt aangeraden, ten minste aardlekschakelaars van het type F met een afschakelstroom van max. 30 mA te gebruiken.

Opmerking

Deze acculader kan worden gebruikt door kinderen vanaf 8 jaar oud en door personen met verminderde fysieke, sensorische of mentale capaciteiten of met gebrek aan ervaring en kennis. Wel moet er dan toezicht worden gehouden of moeten deze personen instructies ontvangen met betrekking tot het veilige gebruik van dit apparaat en de daaruit voortvloeiende gevaren.

- ▶ Laat kinderen niet met dit apparaat spelen.
- ▶ Reiniging en onderhoud mogen niet zonder toezicht door kinderen worden uitgevoerd.

Aesculap®

Accu scheermachine Bonum voor grote dieren

Opmerking

De Li-ion-accu warmt tijdens het laden iets op.

Opmerking

Trek de stekker van de netaansluitkabel uit het stopcontact, wanneer u niet met de acculader werkt.

- ▶ Alleen Aesculap laadapparaat GT643 (LC40) gebruiken voor het opladen de li-ion-accu's.
- ▶ Netstekker van het laadapparaat 22 insteken.
De led van het bedrijfsdisplay d en de led van de waarschuwing e branden na elkaar voor ca. 1 seconde, zie Afb. F.
- ▶ Li-ion-accu 21 tot de aanslag in de laadschacht van het laadapparaat 22 steken, zie Afb. F.
De led van het bedrijfsdisplay d knippert en de li-ion-accu 21 wordt geladen.
Als de led van het bedrijfsdisplay d permanent brandt, is de li-ion accu volledig geladen.

4.4 Li-ion-accu vervangen

- ▶ Accu-tondeuse g met de scheerkop naar beneden houden, zodat de li-ion accu 21 bij het losmaken niet valt, zie Afb. 1.
- ▶ Accuvergrendeling f met de duimen losmaken.



Afb. 1

- ▶ Li-ion-accu 21 uittrekken, laden en/of geladen reserve li-ion-accu GT641 (31NR19/66-1) in de accu-tondeuse g schuiven, zie Afb. 2.



Afb. 2

4.5 Gebruik van de scheerkop

Scheerkop smeren



Beschadiging van de tondeuze of de scheerkop door verkeerd smeermiddel!

- ▶ Smeer de scheerkop alleen wanneer de machine draait.
- ▶ Dompel de machine en scheerkop nooit in een vloeistof onder.
- ▶ Gebruik alleen lichte smeeroilie GT604.

- ▶ Scheerkop via smeerpunt a voor ieder dier rijkelijk oliën, zie Afb. A.
- ▶ Veerbladen 7 2-3 maal daags met 3-4 druppels olie oliën, zie Afb. C.

Tandwiel invetten



Beschadiging van de tondeuze of de scheerkop door verkeerd smeermiddel!

- ▶ Gebruik alleen tandwielvet GT605.
- ▶ Smeer het tandwiel 1-2 keer per scheerseizoen.

- ▶ Lithium-ion accu **21** ontgrendelen en verwijderen.
- ▶ Beide schroeven **14** uitdraaien, zie afbeelding B.
- ▶ Kijk op de scheerkop en draai hem ong. 15° naar links, en neem hem van het motorhuis af.
- ▶ Ca. 1 cm vet op twee tegenoverliggende plaatsen van het tandwiel **12** opbrengen, zie Afb. C.
- ▶ Plaats de scheerkop zorgvuldig op de motor. Let erop dat de scheerkop ca. 15° naar links verdraaid wordt geplaatst, en dat de onderste nok in de groef van het motorhuis grijpt.

Messen vervangen

- ▶ Lithium-ion accu **21** ontgrendelen en verwijderen.
- ▶ Kartelmoer **11** losdraaien en regelschroef **10** ca. 2 omwentelingen uitdraaien, zie Afb. A.
- ▶ Beide klemschroeven **4** losdraaien, de onderste snijplaat **2** naar voren wegtrekken en de bovenste snijplaat **3** wegnemen, zie Afb. A en Afb. E.
- ▶ Voor het inleggen van de bovenste snijplaat **3** verzekeren, dat het trilblok **13** zich in de daarvoor voorziene uitsparing van de oscillator **5** bevindt, zie Afb. E.
- ▶ Bovenste snijplaat **3** inzetten. Daarbij verzekeren, dat beide punten **b** van de oscillator **5** precies in de boringen **c** van de bovenste snijplaat **3** grijpen, zie Afb. D.
- ▶ Onderste snijplaat **2** onder de kop van de klemschroeven **4** tot de aanslag tegen de scheerkopbehuizing schuiven en beide klemschroeven **4** vastdraaien.
- ▶ Regelschroef **10** indraaien tot beide snijplaten licht op elkaar drukken, zie Afb. A.

Scheerkop reinigen

- ▶ De scheerkop moet minimaal na enkele dagen scheren of wanneer hij vuil is worden gereinigd.
- ▶ Li-ion-accu **38** ontgrendelen en verwijderen.
- ▶ Beide schroeven **6** uitdraaien, zie Afb. B.
- ▶ Kijk op de scheerkop en draai hem ong. 15° naar links, en neem hem van het motorhuis af.
- ▶ Messen afnemen, zie Messen vervangen.
- ▶ Reinig de binnenkant en de losse onderdelen van de scheerkop grondig met een borstel of een penseel.
- ▶ Messen plaatsen en vastdraaien, zie Messen vervangen.
- ▶ Tandwiel invetten, zie Tandwiel invetten.
- ▶ Plaats de scheerkop zorgvuldig op de motor. Let erop dat de scheerkop ong. 15° naar links verdraaid wordt geplaatst, en dat de onderste nok in de groef van het motorhuis grijpt.
- ▶ Scheerkop smeren, zie Scheerkop smeren.

Plaatdruk met precisie-aanpassingshulp GT146 instellen (optioneel verkrijgbaar)

Opmerking

De fabrikant adviseert voor het optimaal instellen van de plaatdruk het precisie-aanpassingshulp GT146.

- ▶ Precisie-aanpassingshulp GT146 **19** in de 2 gaten van de regelschroef **10** steken

Opmerking

Kartelschroeven van oude snijkoppen, die niet 2 gaten hebben, kunnen achteraf met de regelschroef GT147 worden uitgerust.

Aesculap®

Accu scheermachine Bonum voor grote dieren

Plaatdruk instellen

Opmerking

De mesdruk moet bij een draaiende machine en zonder gereedschap worden ingesteld.

Opmerking

Een te hoge plaatdruk leidt tot hoge verhitting en een grotere slijtage van de messen.

- ▶ Kartelmoer **11** losdraaien en regelschroef **10** voorzichtig uitdraaien, tot de bovenste snijplaat **3** niet meer op de onderste snijplaat **2** wordt gedrukt (helder loopgeluid), zie Afb. A.
- ▶ Regelschroef **10** indraaien, tot een lichte weerstand merkbaar wordt. Vanaf hier nog ca. één omwenteling verder draaien en daarna kartelmoer **11** aandraaien.

Scheerkop reinigen

- ▶ De scheerkop moet minimaal na enkele dagen scheren of wanneer hij vuil is worden gereinigd.
- ▶ Li-ion-accu **21** ontgrendelen en verwijderen.
- ▶ Beide schroeven **14** uitdraaien, zie Afb. B.
- ▶ Met de blik op de scheerkop deze ca. 15° naar links verdraaien en van het motorhuis afnemen.
- ▶ Snijplaten afnemen, zie snijplaten wisselen.
- ▶ Reinig de binnenkant en de losse onderdelen van de scheerkop grondig met een borstel of een penseel.
- ▶ Snijplaten inleggen en vastdraaien, zie Snijplaten vervangen.
- ▶ Tandwiel invetten, zie Tandwiel invetten.
- ▶ Plaats de scheerkop zorgvuldig op de motor. Let erop dat de scheerkop ca. 15° naar links verdraaid wordt geplaatst, en dat de onderste nok in de groef van het motorhuis grijpt.
- ▶ Scheerkop smeren zie Scheerkop smeren

Messen naslijpen

- ▶ Voor het naslijpen van de messen contact opnemen met de technische service, zie Technische dienst.

4.6 Opslag

- ▶ Tondeuse en messen voor de opslag goed reinigen, zie Reinigingsbehandeling.
- ▶ Bewaar de tondeuse in een droge, donkere en schone ruimte.

5. Messen

5.1 Snijplaten passend bij scheerkop GT647 runderversie/GT657 paardenversie

Art.nr.	Benaming
GT501	Bovenste snijplaat met 15 tanden
GT502	Onderste snijplaat met 31 tanden, snijhoogte 3 mm
GT503	Bovenste snijplaat met 17 tanden
GT504	Onderste snijplaat met 18 tanden, snijhoogte 3 mm
GT505	Bovenste snijplaat met 23 tanden
GT506	Onderste snijplaat met 23 tanden, snijhoogte 3 mm
GT508	Onderste snijplaat met 51 tanden, snijhoogte 1 mm
GT510	Als GT506, maar snijhoogte 5 mm
GT511	Als GT502, maar snijhoogte 1 mm

5.2 Aanbevolen combinaties

Combinatie	onder/boven-mes	Geschikt voor
Smal getand	GT501/GT502	Runderen en paarden (normale uitvoering)
	GT501/GT511	Industrieel scheren
	GT505/GT502	Paarden en runderen – glad standaard scheren
	GT505/GT508	Paarden, runderen (scheren van de uier) en industrieel scheren
Middel getand	GT505/GT511	Paarden en runderen – voor zeer fijn, glad scheren
	GT505/GT506	Runderen, honden en geiten
Breed getand	GT505/GT510	Honden en geiten
	GT503/GT504	Runderen, schapen en fijnwol-lige schapen

6. Reinigingsbehandeling

6.1 Reiniging/desinfectie



GEVAAR

Gevaar voor elektrische schok en brand!

- ▶ Voordat u gaat schoonmaken:
 - Trek de stekker van de accuader.
 - Klik de Li-ion-accu los en haal hem uit de draadloze tondeuze.
- ▶ Gebruik geen brandbare of explosieve reinigings- en desinfectiemiddelen.
- ▶ Zorg ervoor dat er geen vloeistof in het product binnendringt.



VOORZICHTIG

Beschadiging of vernietiging van het product door machinale reiniging/desinfectie!

- ▶ Reinig/desinfecteer het product uitsluitend handmatig.
- ▶ Het product nooit steriliseren.



VOORZICHTIG

Beschadiging van het product door gebruik van verkeerd reinigings-/desinfectiemiddel!

- ▶ Gebruik uitsluitend een toegestaan reinigings-/desinfectiemiddel voor oppervlaktereiniging en volg de aanwijzingen van de fabrikant op.
 - ▶ Dompel het product nooit onder in water of reinigingsmiddel.
 - ▶ Laat geen vloeistof in de laadschacht lopen.
 - ▶ Reinig de contacten in het batterij compartiment met de grootste zorg.
- ▶ Wis de behuizing van het product schoon met een pluisvrije doek, bevochtigd met een in de handel verkrijgbaar desinfectiemiddel.
 - ▶ Maak de resten van het reinigings- en desinfectiemiddel na de inwerkingstijd af met een pluisvrije doek, bevochtigd met zuiver water.
 - ▶ Droog het product af met een schone, pluisvrije doek.
 - ▶ Reinig de contacten in de laadschachten met isopropanol of ethylalcohol en een wattenstaafje. Gebruik geen chemicaliën die corrosie bevorderen.
 - ▶ Herhaal de reiniging/desinfectie, indien nodig.

Aesculap®

Accu scheermachine Bonum voor grote dieren

6.2 Controle en testen

- ▶ Laat het product afkoelen tot kamertemperatuur.
- ▶ Controleer het product na elke reiniging en desinfectie op: reinheid, goede werking en beschadiging.
- ▶ Inspecteer het product op beschadigingen, abnormale geluiden, buitensporige verhitting of te sterke trillingen.
- ▶ Inspecteer de scheerkop op afgebroken, beschadigde en botte sneden.
- ▶ Houd beschadigde producten onmiddellijk apart.

7. Onderhoud

Om een betrouwbare werking te waarborgen, beveelt Aesculap **ten minste eenmaal per jaar** onderhoud aan.

8. Opsporen en verhelpen van fouten

8.1 Accu-tondeuse Bonum

Storing	Oorzaak	Oplossing
Draadloze tondeuze start niet	Li-ion-accu niet geladen	Li-ion-accu laden
	Li-ion-accu defect	Nieuwe Li-ion-accu aanbrengen
	Li-ion-accu niet aangebracht	Li-ion-accu plaatsen
Draadloze tondeuze stopt tijdens de werking	Li-ion-accu uitgeschakeld door beveiliging	Draadloze tondeuze uit- en weer inschakelen
	Li-ion-accu is leeg	Nieuwe Li-ion-accu aanbrengen

8.2 Lader en Li-ion-accu

Storing	Opsporing	Oorzaak	Oplossing
Lader werkt niet	LED-indicatie "accu" brandt niet	Voedingskabel niet aangesloten	Netkabel in het stopcontact van het voedingsnet steken
	Li-ion-accu niet geladen	Voedingskabel defect	Laadapparaat door de fabrikant laten repareren, zie Technische service
		Li-ion-accu defect	

Storing	Opsporing	Oorzaak	Oplossing
Li-ion-accu wordt niet geladen	Li-ion-accu aangebracht, ladingsindicator brandt niet	Contacten van de acculader verontreinigd	Reinig de contactpunten in de laadschacht, zie Reinigingsbehandeling
	-	Contacten van de acculader beschadigd	Acculader door de fabrikant laten repareren, zie Technische dienst
	-	Li-ion-accu defect	Li-ion-accu door de fabrikant laten repareren, zie Technische dienst
	-	Acculader defect	Acculader door de fabrikant laten repareren, zie Technische dienst
	-	Tijdens het opladen wordt in de Li-ion-accu een te hoge temperatuur gemeten	Li-ion-accu uit de laadschacht halen, laten afkoelen en het laden herhalen Bij nieuwe storing: Li-ion-accu door de fabrikant laten repareren, zie Technische dienst
	-	Laadstoring of Li-ion-accu is defect	Li-ion-accu uit de laadschacht nemen en het laden herhalen Bij nieuwe storing: Li-ion-accu door de fabrikant laten repareren, zie Technische dienst

9. Technische dienst



Gevaar voor letsel en/of slechte werking!

► **Geen modificaties aan het product aanbrengen.**

Modificaties aan deze technische uitrusting kunnen tot verlies van de garantie-/garantieclaims evenals eventuele toelatingen leiden.

Service-adressen

Albert Kerbl GmbH

Felizenzell 9

84428 Buchbach / Germany

Phone: +49 (0) 8086 933-100

Fax: +49 (0) 8086 933-500

E-mail: info@kerbl.com

www.kerbl.com

Andere service-adressen zijn verkrijgbaar op het bovengenoemde adres.

Aesculap®

Accu scheermachine Bonum voor grote dieren

10. Accessoires/Reserveonderdelen

Art.nr.	Benaming	Uitvoering	Lithium-ion accu	Laadstation compleet	Toebehoren
GT644-BL	Bonum Runderversie / set met 1 accu, blauw	Europa behalve Groot-Brittannië	GT641 (3INR19/66-1)	GT643 (LC40)	GT604 Speciale olie voor messen en scheer- kop
GT646-BL	Bonum Runderversie / set met 2 accu's, blauw				
GT654-RO	Bonum Paardenversie / set met 1 accu, roze				
GT656-RO	Bonum Paardenversie / set met 2 accu's, roze				
GT654-BL	Bonum Paardenversie / set met 1 accu, blauw				
GT656-BL	Bonum Paardenversie / set met 2 accu's, blauw				
GT644G-BL	Bonum Runderversie / set met 1 accu, blauw	Groot-Brittannië		GT643G (LC40)	
GT646G-BL	Bonum Runderversie / set met 2 accu's, blauw				
GT654G-RO	Bonum Paardenversie / set met 1 accu, roze				
GT656G-RO	Bonum Paardenversie / set met 2 accu's, roze				
GT654G-BL	Bonum Paardenversie / set met 1 accu, blauw				
GT656G-BL	Bonum Paardenversie / set met 2 accu's, blauw				
GT644K-BL	Bonum Runderversie / set met 1 accu, blauw	VS		GT643K (LC40)	
GT646K-BL	Bonum Runderversie / set met 2 accu's, blauw				
GT654K-RO	Bonum Paardenversie / set met 1 accu, roze				
GT656K-RO	Bonum Paardenversie / set met 2 accu's, roze				
GT654K-BL	Bonum Paardenversie / set met 1 accu, blauw				
GT656K-BL	Bonum Paardenversie / set met 2 accu's, blauw				
GT644A-BL	Bonum Runderversie / set met 1 accu, blauw	Australië		GT643A (LC40)	
GT646A-BL	Bonum Runderversie / set met 2 accu's, blauw				
GT654A-RO	Bonum Paardenversie / set met 1 accu, roze				
GT656A-RO	Bonum Paardenversie / set met 2 accu's, roze				
GT654A-BL	Bonum Paardenversie / set met 1 accu, blauw				
GT656A-BL	Bonum Paardenversie / set met 2 accu's, blauw				

11. Technische specificaties

11.1 Accu-tondeuse Bonum

Aantal slagen per minuut	max. 2 500 1/min
Looptijd met een Li-ion-accu	ca. 70 min tot 80 min
Nominale spanning	max. 10,8 V
Capaciteit	max. 2 A
Gewicht (met scheerkop en accu)	950 g

11.2 Laadapparaat GT643 (LC40)

Voedingsspanningsbereik (stroomopname)	220 V tot 240 V
Frequentie	50 Hz tot 60 Hz
Laad-/uitgangsspanning	max. 10,8 V
Laad-/uitgangsstroom	max. 2,3 A
Gewicht (met kabel en voeding)	360 g

11.3 Li-ion accu GT621 (31NR19/66-1)

Celtype	Li
Nominale spanning	10,8 V
Capaciteit	2 Ah
Laadduur	ca. 53 min
Gewicht	190 g
Keurmerken	TÜV-Süd, TÜV NRTL (US-C), CE

11.4 Verklaring van conformiteit



Wij verklaren in eigen naam dat dit product in overeenstemming is met de volgende normen en normatieve documenten:

2004/108/EG EMC-richtlijn:

DIN EN 60335-1

DIN EN 60335-2-8

Veiligheid van huishoudelijke en soortgelijke elektrische toestellen

– Algemene voorschriften

– voor tondeuses

Aesculap Suhl GmbH

12. Verwijdering

Elektrisch gereedschap, accessoires en verpakking moeten op een milieubewuste manier worden gerecycled.

12.1 Alleen voor EU-landen



Elektrisch gereedschap hoort niet bij het huishoudelijk afval!

Volgens de Europese Richtlijn 2012/19/EU inzake afgedankte elektrische en elektronische apparaten en de overeenkomstige nationale voorschriften moet afgedankt elektrisch gereedschap gescheiden worden verzameld en op een milieuverantwoorde wijze worden gerecycled.

12.2 Li-ion-accu

Werp Li-ion-accu's niet bij het huishoudelijk afval, in vuur of in het water. Defecte of verbruikte accu's moeten worden ingezameld, gerecycled of op milieuvriendelijke wijze worden verwijderd volgens richtlijn 2006/66/EG.

13. 2 Jaar garantie

Geachte klant,

Hartelijk dank dat u voor een product van Aesculap hebt gekozen.

De naam Aesculap staat al decennialang borg voor bewezen kwaliteit en voortreffelijke service. Wij bieden onze klanten innovatieve producten die topprestaties garanderen. Aesculap produceert kwaliteitsapparaten, die met de grootste zorg worden gefabriceerd uit hoogwaardige materialen. Wij willen u er graag op wijzen dat wij niet aansprakelijk zijn voor gebreken aan onze producten, wanneer het gebrek wordt veroorzaakt door onoordeelkundig gebruik, normale slijtage of doordat het product onoordeelkundig wordt toegepast of niet-passende of niet-perfect functionerende producten van vreemde makelij worden ingezet.

Onderdelen die gevoelig zijn voor slijtage en waarvoor wij om die reden niet aansprakelijk accepteren, zijn de accu en de scheerkop. Eveneens uitgesloten zijn gebreken die geen of nauwelijks invloed hebben op de waarde of goede werking van het product.

Indien wij in het kader van onze kwaliteitsgarantie de aansprakelijkheid aanvaarden, behouden wij ons voor het product te repareren of te vervangen.

Aesculap®

Klippemaskine Bonum til store dyr

Oversigt

Pos.	Varenr.	Betegnelse
1	GT647801	1 Klippehovedkabinet monteret
2	GT502	1 Nederste skæreplade
3	GT501	1 Øverste skæreplade (til kvæg)
	GT505	1 Øverste skæreplade (til heste)
4	GT610010	1 Klemskrue
5	GT367201	1 Svingningsgenerator
6	GT367202	2 Styretap
7	TA008295	6 Svingningsfjederblad
8	GT610307	1 Fjederbro
9	GT367207	2 Fikseringsskrue
10	GT640225	1 Reguleringsskrue
11	GT610405	2 Rouletmøtrik
12	GT640220	1 Hjulaksel med tandhjul
13	GT610304	1 Svingningsblokke
14	TA010017	2 Skrue, kryds, M4 x 16
15	TA005091	2 Skrue
16	GT367803	1 Afstandsstykke, højre
17	GT367802	1 Afstandsstykke, venstre
18	GT367804	1 Svingningsgenerator, monteret
19	GT146	1 Præcisionsjusteringshjælp, Torqui
20	GT800249	1 Tænd-/sluk-kontakt (med LED)
21	GT641 (3INR19/66-1)	1 Litium-ion-akkumulator
22	GT643 (LC40)	1 Opladningsapparat
a	-	1 Smørested på batteridrevet klippemaskine
b	-	1 Glidemøtrik
c	-	1 Tryklejebøsning
d	-	1 Fjederring
e	-	1 Låg til beklædning
f	-	1 Trykstang
g	-	1 Øjefjeder
-	GT604	1 Specialsmørelse til klippehoved og skæreplader
	GT605	1 Gearsømørelse (tube)

Symboler på produktet



OBS! Generelt advarselssymbol
OBS! Vær opmærksom på vedlagte dokumenter



Mærkning af el- og elektronikudstyr i henhold til direktiv 2012/19/EU (WEEE), se Bortskaffelse

Indholdsfortegnelse

1.	Sikker håndtering	75
2.	Apparatbeskrivelse	75
2.1	Leveringsomfang	75
2.2	Komponenter, der er nødvendige til drift	75
2.3	Anvendelsesformål	75
2.4	Funktionsmåde	76
3.	Forberedelse	76
4.	Arbejde med akkumulatordrevet klippemaskine, opladningsapparat og litium-ion-akkumulator	76
4.1	Klargøring	76
4.2	Funktionstest	76
4.3	Tilslut opladningsapparatet/oplad litium-ion-akkumulatoren ..	77
4.4	Litium-ion-akkumulator skiftes	78
4.5	Betjening af klippehovedet	78
4.6	Opbevaring	80
5.	Skæreplader	80
5.1	Skæreplader, der passer til klippehoved GT647 kvægversion/GT657 hesteversion	80
5.2	Anbefalede kombinationer	80
6.	Rensning	81
6.1	Rengøring/desinfektion	81
6.2	Kontrol og afprøvning	82
7.	Vedligeholdelse	82
8.	Fejlfinding og afhjælpning af fejl	82
8.1	Batteridrevet klippemaskine Bonum	82
8.2	Opladningsapparat og litium-ion-akkumulator	82
9.	Teknisk service	83
10.	Tilbehør/reservedele	84
11.	Tekniske specifikationer	85
11.1	Batteridrevet klippemaskine Bonum	85
11.2	Oplader GT643 (LC40)	85
11.3	Li-Ion-batteri GT621 (3INR19/66-1)	85
11.4	Konformitetserklæring	85
12.	Bortskaffelse	85

12.1	Kun EU-lande	85
12.2	Litium-ion-akkumulator	85
13.	2 års garanti	85

1. Sikker håndtering



Livsfare! Fare for elektrisk stød!

- ▶ Åbn ikke produktet.
- ▶ Produktet må kun tilsluttes til elforsyningsnet med jord.

- ▶ Før produktet anvendes skal det kontrolleres for korrekt funktionsduelighed og stand.
- ▶ Opladeren og Li-Ion-batterier skal opbevares ved rumtemperatur.
- ▶ Opladningsapparat og litium-ion-akkumulator skal holdes tørre.
- ▶ Inden første ibrugtagning skal litium-ion-akkumulatoren oplades.
- ▶ For at undgå skader som følge af u hensigtsmæssig opbygning eller drift og for at sikre producentens garanti og ansvar:
 - Anvend kun produktet i overensstemmelse med nærværende brugsanvisning.
 - Følg oplysningerne vedrørende sikkerheden og henvisninger til vedligeholdelses- og eftersynsarbejder.
 - Kombinér kun Aesculap-produkter med hinanden.
- ▶ Brugsanvisningen skal opbevares tilgængeligt for brugeren.
- ▶ Gældende standarder skal følges.
- ▶ Vær sikker på, at de elektriske installationer i rummet svarer til IEC-kravene.
- ▶ Netledninger tages ud af stikkontakten ved at trække i stikket og ikke i ledningen.
- ▶ Produktet må ikke anvendes på eksplosionsfarlige områder.
- ▶ Beskadigede eller defekte produkter må ikke anvendes. Et beskadiget produkt skal straks frasorteres.

2. Apparatbeskrivelse

2.1 Leveringsomfang

Varenr.	Betegnelse
GT640-BL	Klippemaskine Bonum til kvæg, blå
GT640-RO	Klippemaskine Bonum til heste, rosa
GT641 (3INR19/66-1)	Litium-ion-akkumulator
GT643 (LC40)	Oplader inkl. netledning (med stik)
TA015304	Brugsanvisning
TA009222	Skruetrækker
GT604	Olieflaske

2.2 Komponenter, der er nødvendige til drift

- Batteridrevet klippemaskine Bonum
- Opladningsapparat
- Strømtilslutningsledning (med stik)
- Litium-ion-akkumulator

2.3 Anvendelsesformål

Batteridrevet klippemaskine Bonum

Den batteridrevne klippemaskine Bonum anvendes til klipning af store dyr som kvæg, heste og store hunde.

Oplader GT643 (LC40)/Li-Ion-batteri GT641 (3INR19/66-1)

Opladeren GT643 (LC40) anvendes til opladning af Li-Ion-batteriet GT641 (3INR19/66-1).

Aesculap®

Klippemaskine Bonum til store dyr

2.4 Funktionsmåde

Batteridrevet klippemaskine Bonum

Den batteridrevne klippemaskine Bonum tændes og slukkes med tænd/sluk-tasten **20**.

Henvisning

For at undgå, at der ved en fejltagelse tændes eller slukkes for maskinen, reagerer tænd-/sluk-kontakten først 0,5 sekunder efter betjeningen.

Oplader GT643 (LC40)/Li-Ion-batteri GT641 (3INR19/66-1)

Opladeren GT643 (LC40) er konstrueret til et netspændingsområde på 220 V til 240 V og fra 50 Hz til 60 Hz.

For at gøre klar til drift, tilsluttes opladeren GT643 (LC40) med netstikket til forsyningsnettet.

Opladeren GT643 (LC40) er udstyret med en ladeskakt.

Når Li-Ion-batteriet indsættes i ladestationen, starter opladningen automatisk.

Opladningstiden afhænger af opladningstilstanden og litium-ion-akkumulatorens kapacitet.

Opladningsprincip

Litium-ion-akkumulator oplades med konstante strømimpulser.

Litium-ion-akkumulatorens ladetilstand overvåges under opladningen. Ved overvågningen af opladningskurven sikres en 100 %-opladning uden overbelastning.

Desuden overvåges akkumulatorens temperatur og opladningstid.

Ladetilstandsvisningen **f** på Li-ioner-akkumulatoren har 5 LED'er. Hver LED står for 20 % opladningsvolumen. Hvis akkumulatoren befinder sig under opladning, blinker LED'en for den pågældende ladetilstand. Når alle LED'er lyser vedvarende, er akkumulatoren helt opladet.

Opladningstid

Når den maksimale opladningstid er nået, afbrydes opladningen. Opladningstiden udgør ca. 53 min.

3. Forberedelse

Hvis de følgende forskrifter ikke overholdes, påtager Aesculap sig for så vidt intet ansvar.

- ▶ Ved opsætning og drift af produktet skal følgende overholdes:
 - de nationale installations- og brugerforskrifter,
 - de nationale forskrifter om brand og eksplosionsbeskyttelse,
 - Anvendelsesanvisninger iht. IEC-/VDE-bestemmelser.

4. Arbejde med akkumulatordrevet klippemaskine, opladningsapparat og litium-ion-akkumulator

4.1 Klargøring

Tilslutning af tilbehør

Tilbehørskombinationer, der ikke er nævnt i denne brugsanvisning, må udelukkende anvendes, hvis de udtrykkeligt er bestemt til den pågældende anvendelse. Ydelseskendetegn samt sikkerhedskrav må ikke påvirkes på en negativ måde.

4.2 Funktionstest

Batteridrevet klippemaskine Bonum

- ▶ Udfør visuel kontrol.
- ▶ Skub Li-Ion-batteriet **21** ind i maskinskakten, til det falder i hak.
- ▶ Driftsindikatoren **d** angiver ladetilstanden.

Henvisning

For at forhindre, at litium-ion-akkumulatoren aflader, når maskinen ikke bruges, afbrydes den elektroniske forbindelse mellem litium-ion-akkumulatoren og styringen af den akkumulatordrevne klippemaskine efter 1 time.

- ▶ Genaktivér Litium-ion-akkumulatoren **38**: tryk på **g**-tasten, se Fig. E. Alle LED'er i ladetilstandsindikatoren **f** lyser.

Opladningsapparat/litium-ion-akkumulator

- ▶ Udfør visuel kontrol.
- ▶ Før produktet tilsluttes elforsyningsnettet:
 - Kontrollér, om strømtilslutningsledningen eventuelt er beskadiget.
 - Kontrollér produktet for eventuelle beskadigelser (f.eks. skal kontakterne i batteriboksen kontrolleres for bøjede kontakter).
- ▶ Tilslut netstikket til en stikkontakt fra forsyningsnettet.
- ▶ Sæt Li-Ion-batteriet 21 ind i ladeskakt på opladeren og oplad det, se Fig. F.



FORSIGTIG

Tab af kapacitet/ydeevne for den afladede litium-ion-akkumulator på grund af opbevaring i længere tid!

- ▶ Ved længere tids opbevaring må litium-ion-akkumulatoren kun opbevares fuldt opladet og oplades igen én gang om måneden.

4.3 Tilslut opladningsapparatet/oplad litium-ion-akkumulatoren



ADVARSEL

Brandfare ved kortslutning af poler pga. væsker eller metaldele!

- ▶ Litium-ion-akkumulatoren må ikke kortslutte.



ADVARSEL

Fare for personskade på grund af en beskadiget strømtilslutningsledning!

- ▶ Kontrollér strømtilslutningsledningen for beskadigelser inden opladningen.
- ▶ En beskadiget strømtilslutningsledning skal udskiftes af producenten.



ADVARSEL

Der er fare for personskade og materiel skade på grund af en beskadiget litium-ion-akkumulator!

- ▶ Litium-ion-akkumulatoren skal kontrolleres for beskadigelser før opladningen.
- ▶ En beskadiget litium-ion-akkumulator må ikke anvendes eller oplades.



FORSIGTIG

Ødelæggelse af produkt, batteriboks eller litium-ion-akkumulator ved isætning af en forkert akkumulatortype i batteriboksen!

- ▶ Litium-ion-akkumulatoren må kun sættes i den dertil indrettede batteriboks.

Henvisning

Før idriftsættelsen skal det sikres, at netspændingen og netfrekvensen, som er angivet på typeskiltet, stemmer overens med data for strømnettet. Ved tilslutning af opladeren anbefales det som minimum at anvende en fejlstrømsafbryder af type F med en aktiveringsstrøm på maks. 30 mA.

Henvisning

Opladningsapparatet kan benyttes af børn fra 8 år og derover samt af personer med nedsatte fysiske, sensoriske eller mentale evner eller mangel på erfaring og viden, hvis de er under opsyn eller er blevet behørigt undervist i sikker brug af apparatet og forstår de farer, som det kan medføre.

- ▶ Børn må ikke få lov til at lege med apparatet.
- ▶ Rengøring og vedligeholdelse af opladningsapparatet må ikke udføres af børn, som ikke er under opsyn.

Aesculap®

Klippemaskine Bonum til store dyr

Henvisning

Litium-ion-akkumulatoren bliver let varm under opladningen.

Henvisning

Når der ikke arbejdes med opladningsapparatet, skal strømtilslutningsledningen tages ud af stikket.

- ▶ Anvend udelukkende Aesculap oplader GT643 (LC40) til opladning af Li-Ion-batteriet.
- ▶ Indsæt netstikket til opladeren 22.
LED'en på driftsindikatoren d og LED'en på advarselsindikatoren e lyser efter hinanden i ca. 1 sekund, se Fig. F.
- ▶ Indsæt Li-Ion-batteriet 21 helt til anslag i ladeskakten på opladeren 22, se Fig. F.
LED'en på driftsindikatoren d blinker og Li-Ion-batteriet 21 oplades.
Når LED'en på driftsindikatoren d lyser konstant, er Li-Ion-batteriet helt opladet.

4.4 Litium-ion-akkumulator skiftes

- ▶ Hold den batteridrevne klippemaskine g med klippehovedet nedad, så Li-Ion-batteriet 21 ikke falder af, hvis det løsnes, se Fig. 1.
- ▶ Løsn batterilåsen f med tommelfingeren.

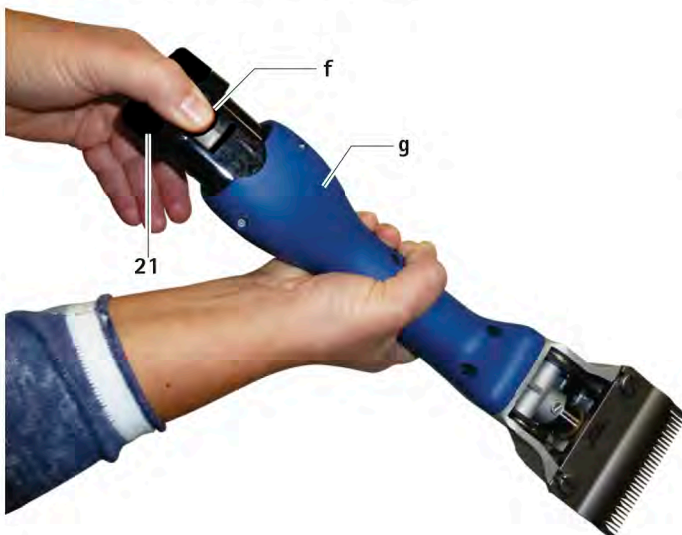


Fig. 1

- ▶ Træk Li-Ion-batteriet 21 ud, oplad det, og/eller skub det opladede Li-Ion-reservebatteri GT641 (31NR19/66-1) ind i den batteridrevne klippemaskine g, se Fig. 2.



Fig. 2

4.5 Betjening af klippehovedet

Smøring af klippehovedet



Klippemaskinen eller klippehovedet kan blive beskadiget af forkert smøring!

- ▶ Klippehovedet må kun smøres, når maskinen kører.
 - ▶ Maskine og klippehoved må ikke dyppes ned i væsker.
 - ▶ Anvend kun let smørelse GT604.
- ▶ Smør klippehovedet grundigt på smørepunktet a før klipning af hvert dyr, se Fig. A.
 - ▶ Smør fjederbladene 7 2-3 gange dagligt med 3-4 dråber olie, se Fig. C.

Smøring af tandhjul



FORSIGTIG

Klippemaskine eller tandhjul kan blive beskadiget af forkert smøring!

- ▶ **Anvend udelukkende gearsørelse GT605.**
- ▶ **Tandhjulet smøres 1–2 gange pr. klippesæson.**

- ▶ Frigør Li-Ion-batteriet **21** og afmonter det.
- ▶ Drej begge skruer **14** ud, se Fig. B.
- ▶ Når man ser på klippehovedet, skal dette drejes ca. 15° til venstre og fjernes fra motorbeklædningen.
- ▶ Påfør ca. 1 cm smørefedt på to steder over for hinanden på tandhjulet **12**, se Fig. C.
- ▶ Sæt klippehovedet forsigtigt på motoren. Her skal det sikres, at klippehovedet drejes ca. 15° til venstre, når det drejes på, og at det nederste stik griber ind i motorbeklædningens not.

Skift af skæreplader

- ▶ Frigør Li-Ion-batteriet **21** og afmonter det.
- ▶ Løsn rouletmøtrikken **11** og drej reguleringsskruen **10** ud med ca. 2 omdrejninger, se Fig. A.
- ▶ Løsn begge spændeskruer **4**, træk den nederste skæreplade **2** fremad og fjern den øverste skæreplade **3**, se Fig. A og Fig. E.
- ▶ Før den øverste skæreplade **3** indsættes, skal man sikre sig, at svingningsblokken **13** befinder sig i den tilhørende udsparring på svingningsgeneratoren **5**, se Fig. E.
- ▶ Indsæt den øverste skæreplade **3**. Sørg herved for, at begge spidser **b** på svingningsgeneratoren **5** griber præcist ind i borerne **c** på den øverste skæreplade **3**, se Fig. D.
- ▶ Skub den nederste skæreplade **2** under hovederne på spændeskruerne **4** helt til anslag på klippehovedkabinettet og stram begge spændeskruer **4**.
- ▶ Drej reguleringsskruen **10** ind, indtil begge skæreplader trykker let på hinanden, se Fig. A.

Rengøring af klippehovedet

- ▶ Klippehovedet rengøres mindst efter nogle klippedage eller ved tilsmudsning.
- ▶ Litium-ion-akkumulator **38** låses op og fjernes.
- ▶ Begge skruer **6** skrues ud, se Fig. B.
- ▶ Når man ser på klippehovedet, skal dette drejes ca. 15° til venstre og fjernes fra motorbeklædningen.
- ▶ Skærepladerne fjernes, se Skift af skæreplader.
- ▶ Klippehovedets indre rum og klippehovedets enkeltdele rengøres grundigt med en børste eller pensel.
- ▶ Skærepladernes lægges ind og spændes fast, se Skift af skæreplader.
- ▶ Tandhjul smøres, se Smøring af tandhjul.
- ▶ Klippehovedet anbringes forsigtigt på motoren. Her skal det sikres, at klippehovedet drejes ca. 15° til venstre, når det drejes på, og at det nederste stik griber ind i motorbeklædningens not.
- ▶ Klippehovedet smøres, se Smøring af klippehovedet.

Indstilling af pladetryk med præcisionsjusteringhjælp GT146 (fås som ekstraudstyr)

Henvisning

Producenten anbefaler præcisionsjusteringhjælp GT146 til optimal indstilling af pladetrykket.

- ▶ Stik præcisionsjusteringshjælpen GT146 **19** ind i de 2 huller på reguleringsskruen **10**

Henvisning

Rouletskruer på ældre klippehoveder, som ikke har 2 huller, kan eftermonteres med reguleringsskruen GT147.

Aesculap®

Klippemaskine Bonum til store dyr

Indstil pladetryk

Henvisning

Pladetrykkets indstilling skal ske, mens maskinen kører og uden hjælpværktøj.

Henvisning

Et for stort pladetryk fører til for høj opvarmning og et større slid på skærepladerne.

- ▶ Løsn rouletmøtrikken **11** og drej reguleringsskruen **10** forsigtigt ud, indtil den øverste skæreplade **3** ikke længere trykkes på den nederste skæreplade **2** (lys motortone), se Fig. A.
- ▶ Drej reguleringsskruen **10** ind, indtil du kan mærke en let modstand. Drej nu herfra ca en omdrejning videre og stram derefter rouletmøtrikken **11**.

Rengøring af klippehovedet

- ▶ Klippehovedet rengøres som minimum efter nogle klippedage eller ved tilsmudsning.
- ▶ Frigør Li-Ion-batteriet **21** og afmonter det.
- ▶ Drej begge skruer **14** ud, se Fig. B.
- ▶ Når man ser på klippehovedet, skal dette drejes ca. 15° til venstre og afmonteres fra motorbeklædningen.
- ▶ For afmontering af skæreplader, se Skift af skæreplader.
- ▶ Rengør klippehovedets indre rum og enkeltdele grundigt med en børste eller pensel.
- ▶ For indsættelse og tilspænding af skæreplader, se Skift af skæreplader.
- ▶ For indfedtning af tandhjul, se Indfedtning af tandhjul.
- ▶ Sæt klippehovedet forsigtigt på motoren. Her skal det sikres, at klippehovedet drejes ca. 15° til venstre, når det drejes på, og at det nederste stik griber ind i motorbeklædningens not.
- ▶ Smøring af klippehovedet se Smøring af klippehovedet

Skærepladerne efterslibes

- ▶ Til efterslibning af skærepladerne skal der rettes henvendelse til den tekniske service afdeling, se Teknisk service.

4.6 Opbevaring

- ▶ Klippemaskine og skærepladerne rengøres godt før opbevaring, se Rensning.
- ▶ Klippemaskinen opbevares i et tørt, mørkt og rent rum.

5. Skæreplader

5.1 Skæreplader, der passer til klippehoved GT647 kvægversion/GT657 hesteversion

Varenr.	Betegnelse
GT501	Øverste skæreplade med 15 tænder
GT502	Nederste skæreplade med 31 tænder, klippehøjde 3 mm
GT503	Øverste skæreplade med 17 tænder
GT504	Nederste skæreplade med 18 tænder, klippehøjde 3 mm
GT505	Øverste skæreplade med 23 tænder
GT506	Nederste skæreplade med 23 tænder, klippehøjde 3 mm
GT508	Nederste skæreplade med 51 tænder, klippehøjde 1 mm
GT510	Som GT506, skæringshøjde dog 5 mm
GT511	Som GT502, skæringshøjde dog 1 mm

5.2 anbefalede kombinationer

Kombination	Over-/underplade	Egnet til
Med tætsidende tænder	GT501/GT502	Kvæg og heste (normalt udstyr)
	GT501/GT511	Industriel klipning
	GT505/GT502	Heste og kvæg - glat klipning
	GT505/GT508	Heste, kvæg (yverklipning) og industriel klipning
Med mellemstore mellemrum mellem tænder	GT505/GT511	Heste og kvæg - til meget fin, glat klipning
	GT505/GT506	Kvæg, hunde og geder
Med brede tænder	GT505/GT510	Hunde og geder
	GT503/GT504	Kvæg, får og finuldsfår

6. Rensning

6.1 Rengøring/desinfektion



FARE

Fare for elektrisk stød og brand!

- ▶ Før rengøringen:
 - Tag netstikket ud af opladningsapparatet.
 - Litium-ion-akkumulatoren låses op og fjernes fra den akkumulatordrevne klippemaskine.
- ▶ Brændbare og eksplosionsfarlige rengørings- og desinfektionsmidler må ikke anvendes.
- ▶ Det skal sikres, at væske ikke kan trænge ind i produktet.



FORSIGTIG

Beskadigelse eller ødelæggelse af produktet som følge af maskinel rengøring/desinfektion!

- ▶ Produktet må kun rengøres/desinficeres manuelt.
- ▶ Produktet må aldrig steriliseres.



FORSIGTIG

Skader på produktet som følge af uegnede rengørings-/desinfektionsmidler!

- ▶ Til fladerengøring anvendes godkendte rengørings-/desinfektionsmidler i henhold til producentens anvisninger.
 - ▶ Læg aldrig produktet i vand eller rengøringsmiddel.
 - ▶ Der må ikke komme væske ind i batteriboksene.
 - ▶ Kontakterne i batteriboksen rengøres med største omhu.
- ▶ Produktets kabinet aftørres med en fnugfri klud, der er vædet med et almindeligt desinfektionsmiddel, der fås i handelen.
 - ▶ Efter behov kan rester af rengørings- og desinfektionsmiddel tørres af efter dets indvirkningstid med en fnugfri klud, der er vædet med rent vand.
 - ▶ Til aftørring anvendes en ren, fnugfri klud.
 - ▶ Kontakterne i batteriboksen rengøres med isopropanol eller ethylalkohol og en vatpind. Der må ikke anvendes korrosionsfremmende kemikalier.
 - ▶ Om nødvendigt gentages rengøringen/desinfektionen.

Aesculap®

Klippemaskine Bonum til store dyr

6.2 Kontrol og afprøvning

- ▶ Produktet nedkøles til stuetemperatur.
- ▶ Efter hver rengøring og desinfektion kontrolleres produktet for: renhed, funktion og skader.
- ▶ Produktet skal afprøves med hensyn til beskadigelser, unormal støj, alt for kraftig opvarmning eller for stærke vibrationer.
- ▶ Klippehovedet kontrolleres for brudte, beskadigede og sløve skær.
- ▶ Et beskadiget produkt skal straks frasorteres.

7. Vedligeholdelse

For at kunne garantere en pålidelig drift, anbefaler Aesculap vedligeholdelse **mindst én gang om året**.

8. Fejlfinding og afhjælpning af fejl

8.1 Batteridrevet klippemaskine Bonum

Fejl	Årsag	Afhjælpning
Den akkumulatordrevne klippemaskine kører ikke	Litium-ion-akkumulatoren er ikke opladet	Oplad litium-ion-akkumulatoren
	Litium-ion-akkumulator er defekt	Isæt en ny litium-ion-akkumulator
	Litium-ion-akkumulatoren er ikke isat	Isæt litium-ion-akkumulator
Den akkumulatordrevne klippemaskine står stille under driften	Litium-ion-akkumulatoren er blevet slukket af fejlstrømsrelæet	Frakobl og tilslut den akkumulatordrevne klippemaskine igen
	Litium-ion-akkumulator er tom	Isæt en ny litium-ion-akkumulator

8.2 Opladningsapparat og litium-ion-akkumulator

Fejl	Registrering	Årsag	Afhjælpning
Opladningsapparat uden funktion	LED-displayet "Akku" lyser ikke	Strømtilslutningsledningen er ikke sat i	Indsæt netledningen i stikdåsen til forsyningsnettet
	Litium-ion-akkumulatoren er ikke opladet	Strømtilslutningsledningen er defekt	Opladningsapparatet skal repareres af producenten, se Teknisk service
		Litium-ion-akkumulator er defekt	Litium-ion-akkumulator skal repareres af producenten, se Teknisk service

Fejl	Registrering	Årsag	Afhjælpning
Litium-ion-akkumulatoren er ikke opladet	Litium-ion-akkumulatoren er sat i, men ladetilstandsindikatoren lyser ikke	Kontakten på opladningsapparatet er tilsmudset	Rengør kontakten i batteriboksen, se Rensning
	-	Kontakten på opladningsapparatet er beskadiget	Opladningsapparatet skal repareres af producenten, se Teknisk service
	-	Litium-ion-akkumulator er defekt	Litium-ion-akkumulator skal repareres af producenten, se Teknisk service
	-	Opladningsapparatet er defekt	Opladningsapparatet skal repareres af producenten, se Teknisk service
	-	Under opladningen måles en for høj temperatur i litium-ion-akkumulatoren	Tag litium-ion-akkumulatoren ud af batteriboksen, lad den afkøle, og gentag opladningen Ved gentagne fejl: Lad Litium-ion-akkumulator repareres af producenten, se Teknisk service
	-	Fejl ved opladningen af litium-ion-akkumulatoren	Tag litium-ion-akkumulatoren ud af batteriboksen, og gentag opladningen Ved gentagne fejl: Lad Litium-ion-akkumulator repareres af producenten, se Teknisk service

9. Teknisk service



ADVARSEL

Fare for personskade og/eller fejlfunktion!

► **Produktet må ikke modificeres.**

Modifikationer på dette tekniske udstyr kan medføre, at garanti-/reklamationskrav samt eventuelle godkendelser bortfalder.

Serviceadresser

Albert Kerbl GmbH

Felizenzell 9

84428 Buchbach / Germany

Phone.: +49 (0) 8086 933-100

Fax: +49 (0) 8086 933 -500

E-mail: ats@aesculap.de

www.kerbl.com

Yderligere serviceadresser kan hentes via den ovenfor anførte adresse.

Aesculap®

Klippemaskine Bonum til store dyr

10. Tilbehør/reservedele

Varenr.	Betegnelse	Model	Li-Ion-batteri	Ladestation komplet	Tilbehør
GT644-BL	Bonum Kvægversion / Sæt med 1 batteri, blå	Europa uden for Storbritannien	GT641 (3INR19/66-1)	GT643 (LC40)	GT604 Specialsmørelse til skæreplader og klippehoved
GT646-BL	Bonum Kvægversion / Sæt med 2 batterier, blå				
GT654-RO	Bonum Hesteversion / Sæt med 1 batteri, rosa				
GT656-RO	Bonum Hesteversion / Sæt med 2 batterier, rosa				
GT654-BL	Bonum Hesteversion / Sæt med 1 batteri, blå				
GT656-BL	Bonum Hesteversion / Sæt med 2 batterier, blå				
GT644G-BL	Bonum Kvægversion / Sæt med 1 batteri, blå	Storbritannien		GT643G (LC40)	
GT646G-BL	Bonum Kvægversion / Sæt med 2 batterier, blå				
GT654G-RO	Bonum Hesteversion / Sæt med 1 batteri, rosa				
GT656G-RO	Bonum Hesteversion / Sæt med 2 batterier, rosa				
GT654G-BL	Bonum Hesteversion / Sæt med 1 batteri, blå				
GT656G-BL	Bonum Hesteversion / Sæt med 2 batterier, blå				
GT644K-BL	Bonum Kvægversion / Sæt med 1 batteri, blå	USA		GT643K (LC40)	
GT646K-BL	Bonum Kvægversion / Sæt med 2 batterier, blå				
GT654K-RO	Bonum Hesteversion / Sæt med 1 batteri, rosa				
GT656K-RO	Bonum Hesteversion / Sæt med 2 batterier, rosa				
GT654K-BL	Bonum Hesteversion / Sæt med 1 batteri, blå				
GT656K-BL	Bonum Hesteversion / Sæt med 2 batterier, blå				
GT644A-BL	Bonum Kvægversion / Sæt med 1 batteri, blå	Australien		GT643A (LC40)	
GT646A-BL	Bonum Kvægversion / Sæt med 2 batterier, blå				
GT654A-RO	Bonum Hesteversion / Sæt med 1 batteri, rosa				
GT656A-RO	Bonum Hesteversion / Sæt med 2 batterier, rosa				
GT654A-BL	Bonum Hesteversion / Sæt med 1 batteri, blå				
GT656A-BL	Bonum Hesteversion / Sæt med 2 batterier, blå				

11. Tekniske specifikationer

11.1 Batteridrevet klippemaskine Bonum

Slagtal	maks. 2 500 1/min
Driftstid for en litium-ion-akkumulator	ca. 70 min til 80 min
Nominal spænding	maks. 10,8 V
Kapacitet	maks. 2 A
Vægt (med klippehoved og akkumulator)	950 g

11.2 Oplader GT643 (LC40)

Netspændingsområder (strømforbrug)	220 V til 240 V
Frekvens	50 Hz til 60 Hz
Opladnings-/udgangsspænding	maks. 10,8 V
Opladnings-/udgangsstrøm	maks. 2,3 A
Vægt (med kabel og netdel)	360 g

11.3 Li-Ion-batteri GT621 (31NR19/66-1)

Celletype	Li
Nominal spænding	10,8 V
Kapacitet	2 Ah
Opladningstid	ca. 53 min
Vægt	190 g
Kontroltegn	TÜV-Süd, TÜV NRTL (US-C), CE

11.4 Konformitetserklæring



Vi erklærer med eget ansvar, at dette produkt stemmer overens med de følgende normer samt normative dokumenter:

2004/108/EF EMK-direktiv:

DIN EN 60335-1

DIN EN 60335-2-8

Sikkerhed ved elektriske apparater til privat brug og til lignende formål

– generelle krav

– til hårklippemaskiner

Aesculap Suhl GmbH

12. Bortskaffelse

Elværktøj, tilbehør og emballage skal afleveres på en miljøvenlig genbrugsstation.

12.1 Kun EU-lande



Elværktøj må ikke bortskaffes sammen med husholdningsaffaldet!

Ifølge det europæiske direktiv 2012/19/EU vedrørende elektronik og elektronikaffald og deres transponering inden for national lovgivning skal udtjente elværktøjsopsamlingsstationer opsamles separat og afleveres på en miljøvenlig genbrugsstation.

12.2 Litium-ion-akkumulator

Litium-ion-akkumulatorer må ikke bortskaffes sammen med husholdningsaffaldet og må ikke kastes i ild eller vand. Defekte eller udtjente litium-ion-akkumulatorer skal ifølge direktiv 2006/66/EF samles, genbruges eller bortskaffes på miljøvenlig måde.

13. 2 års garanti

Kære kunde,

Mange tak, fordi De har besluttet Dem for et produkt fra vores firma.

Navnet Aesculap har i årtier stået for afprøvet kvalitet og førsteklasses service. Vi tilbyder vores kunder innovative og effektive produkter. Aesculap fremstiller kvalitetsudstyr og garanterer Dem anvendelse af kvalitetsmaterialer og omhyggelig produktion. Vi vil gerne henvise til, at vi ikke kan påtage os ansvaret for mangler ved vores produkter, hvis disse er opstået på grund af ukorrekt brug, normalt slid eller ved, at produktet er blevet anvendt uhensigtsmæssigt, eller fordi der er isat fremmedprodukter, som ikke passer til eller som ikke fungerer upåklageligt.

Dele, som typisk bliver slidt, og som vi derfor ikke hæfter for, er akkumulatoren og klippehovedet. Ligeledes undtaget er mangler, som ikke eller kun i ubetydelig grad påvirker værdien eller funktionen.

Hvis vi hæfter inden for rammerne af vores garanti, forbeholder vi os retten til at reparere eller udskifte produktet.

Aesculap®

Batteridrevet klippemaskin Bonum for store dyr

Oversikt

Pos.	Art.nr.	Betegnelse
1	GT647801	1 Klippehodehus montert
2	GT502	1 Nedre klippeplate
3	GT501	1 Øvre klippeplate (for kyr)
	GT505	1 Øvre klippeplate (for hester)
4	GT610010	1 Klemskrue
5	GT367201	1 Oscillator
6	GT367202	2 Styrepinne
7	TA008295	6 Oscillatorfjærblad
8	GT610307	1 Fjærbro
9	GT367207	2 Festeskrue
10	GT640225	1 Justeringsskrue
11	GT610405	2 Fingermutter
12	GT640220	1 aksel med tannhjul
13	GT610304	1 Oscillatorklosser
14	TA010017	2 Skrue, stjerne, M4 x 16
15	TA005091	2 Skrue
16	GT367803	1 Avstandsstykke, høyre
17	GT367802	1 Avstandsstykke, venstre
18	GT367804	1 Oscillator montert
19	GT146	1 Presisjonsjusteringshjelp Torqui
20	GT800249	1 På/av-knapp (med LED)
21	GT641 (31NR19/66-1)	1 Li-ion-batteri
22	GT643 (LC40)	1 Lader
a	-	1 Smørepunkt batteridrevet klippemaskin
b	-	1 Vektstangmutter
c	-	1 Trykklagerhylse
d	-	1 Fjærring
e	-	1 Husdeksel
f	-	1 Trykkstang
g	-	1 Øyefjær
-	GT604	1 Spesialolje til klippehode og klippeplater
	GT605	1 Girfett (tube)

Symboler på produktet



Forsiktig, generelt varselsymbol
Forsiktig, les følgedokumenter



Merking av elektrisk og elektronisk utstyr i henhold til direktiv 2012/19/EF (WEEE), se Avfallsbehandling

Innholdsfortegnelse

1.	Sikker håndtering	87
2.	Beskrivelse av apparatet	87
2.1	Leveringsomfang	87
2.2	Komponenter som kreves til drift	87
2.3	Bruksområde	87
2.4	Funksjonsmåte	88
3.	Klargjøring	88
4.	Arbeide med batteridrevet klippemaskin, lader og li-ion-batteri	88
4.1	Klargjøring	88
4.2	Funksjonskontroll	88
4.3	Koble til lader/lade li-ion-batteri	89
4.4	Skifte li-ion-batteri	90
4.5	Håndtering av klippehodet	90
4.6	Lagring	92
5.	Klippeplater	92
5.1	Klippeflater som passer til klippehode GT647 Storfeversjon/GT657 Hesteversjon	92
5.2	Anbefalte kombinasjoner	92
6.	Klargjøring	93
6.1	Rengjøring og desinfisering	93
6.2	Kontroll og testing	94
7.	Service	94
8.	Oppdage og utbedre feil	94
8.1	Batteridrevet klippemaskin Bonum	94
8.2	Lader og li-ion-batteri	94
9.	Teknisk service	95
10.	Tilbehør/reservedeler	96
11.	Tekniske data	97
11.1	Batteridrevet klippemaskin Bonum	97
11.2	Lader GT643 (LC40)	97
11.3	Li-ionbatteri GT621 (31NR19/66-1)	97
11.4	Samsvarserklæring	97
12.	Avfallsbehandling	97
12.1	Bare for EU-land	97

12.2	Li-ion-batteri	97
13.	2 års garanti	97

1. Sikker håndtering



Livsfare pga. elektrisk støt!

- ▶ Produktet må ikke åpnes.
- ▶ Koble produktet kun til en jordet strømforsyning.

- ▶ Kontroller funksjon og riktig tilstand før produktet tas i bruk.
- ▶ Oppbevar lader og li-ionbatterier ved romtemperatur.
- ▶ Hold lader og li-ion-batteri tørt.
- ▶ Lad li-ion-batteriet før første gangs bruk.
- ▶ For å unngå skader forårsaket av feil montering eller bruk, og for at ikke at garanti og ansvar skal bortfalle:
 - Bruk produktet kun i henhold til bruksanvisningen.
 - Overhold sikkerhets- og vedlikeholdsinstruksjonene.
 - Kombiner kun Aesculap-produkter med hverandre.
- ▶ Oppbevar bruksanvisningen tilgjengelig for brukeren.
- ▶ Overhold gjeldende standarder.
- ▶ Sørg for at den elektriske installasjonen i rommet er i samsvar med IEC-krav.
- ▶ Strømkabelen må alltid trekkes ut i støpselet, aldri i kabelen.
- ▶ Bruk aldri produktet i eksplosjonsfarlige områder.
- ▶ Bruk aldri skadde eller defekte produkter. Fjern defekte produkter umiddelbart.

2. Beskrivelse av apparatet

2.1 Leveringsomfang

Art.nr.	Betegnelse
GT640-BL	Bonum klippemaskin for store dyr, for kyr, blå
GT640-RO	Bonum klippemaskin for store dyr, for hester, rosa
GT641 (3INR19/66-1)	Li-ion-batteri
GT643 (LC40)	Lader inkl. strømkabel (med støpsel)
TA015304	Bruksanvisning
TA009222	Skrutrekker
GT604	Oljeflaske

2.2 Komponenter som kreves til drift

- Batteridrevet klippemaskin Bonum
- Lader
- Strømkabel (med støpsel)
- Li-ion-batteri

2.3 Bruksområde

Batteridrevet klippemaskin Bonum

Den batteridrevne klippemaskinen Bonum brukes til klipping av store dyr, f.eks. storfe, hester og større hunder.

Lader GT643 (LC40)/Li-ionbatteri GT641 (3INR19/66-1)

Laderen GT643 (LC40) blir brukt til lading av li-ionbatteriet GT641 (3INR19/66-1).

Aesculap®

Batteridrevet klippemaskin Bonum for store dyr

2.4 Funksjonsmåte

Batteridrevet klippemaskin Bonum

Den batteridrevne klippemaskinen Bonum skrur av og på med på-/av-knappen **20**.

Merknad

For å unngå utilsiktet start av maskinen, reagerer på-/avknappen først >0,5 sek etter at den er trykket.

Lader GT643 (LC40)/Li-ionbatteri GT641 (3INR19/66-1)

Laderen GT643 (LC40) er beregnet på et nettspenningsområde fra 220 V til 240 V, og fra 50 Hz til 60 Hz.

For å klargjøre til bruk kobles GT643 (LC40) -laderen med støpselet til strømforsyningen.

GT643 (LC40) -laderen har et ladespor.

Ladeprosessen starter automatisk når li-ion-batteriet plasseres i laderen.

Ladetiden avhenger av ladestatus og kapasiteten på li-ion-batteriet.

Ladep prinsipp

Li-ion-batteriet lades med konstante strømimpulser.

Ladestatus på li-ion-batteriet overvåkes under lading. Ved å overvåke ladekurven sikres en 100 % opplading uten overopplading.

I tillegg overvåkes batteritemperatur og ladetid.

Indikatoren for ladetilstanden **f** til Li-ion-batteriet har 5 LED-lamper. Hver av LED-lampene angir 20 % av ladevolumet. Dersom batteriet er i en lade-prosess, blinker LED for hver ladetilstand. Hvis alle LED lyser kontinuerlig, er batteriet fulladet.

Ladetid

Ladingen stopper når maksimal ladetid er nådd. Ladetiden er ca. 53 minutter.

3. Klargjøring

Hvis kravene nedenfor ikke følges, fraskriver Aesculap derfor seg alt ansvar.

- ▶ Ved installasjon og drift av produktet må følgende overholdes:
 - Nasjonale installasjons- og driftsforskrifter,
 - Nasjonale forskrifter om brann- og eksplosjonsvern,
 - Bruksanvisninger i henhold til IEC-/VDE-bestemmelsene.

4. Arbeide med batteridrevet klippemaskin, lader og li-ion-batteri

4.1 Klargjøring

Koble til tilbehør

Tilbehørkombinasjoner som ikke er nevnt i veiledningen, kan bare brukes hvis de er spesielt utviklet for det beregnede formålet. Ytelse og sikkerhetskrav må ikke bli negativt påvirket.

4.2 Funksjonskontroll

Batteridrevet klippemaskin Bonum

- ▶ Utføre visuell inspeksjon.
- ▶ Skyv li-ionbatteriet **21** inn i maskinsporet inntil det låses.
- ▶ Driftsvisningen **d** viser ladestatusen.

Merknad

For å forhindre at Li-ion-batteriet lades ut når det brukes av maskinen, blir den elektroniske forbindelsen til Li-ion-batteriet avbrutt etter en time.

- ▶ For å aktivere Li-ion-batteriet **38** på nytt: Trykk på tasten **g**, se Fig. E. Alle LED-lampene på ladeindikatoren **f** tennes.

Lader/li-ion-batteri

- ▶ Utføre visuell inspeksjon.
- ▶ Før du kobler produktet til strømforsyningen:
 - Kontroller strømkabelen for skader.
 - Kontroller om produktet er skadet (f.eks. sjekk om kontaktene på ladestangen er bøyd).
- ▶ Stikk støpselet i stikkkontakten i strømnettet.
- ▶ Sett Li-ion-batteriet **21** i ladesporet i laderen igjen og lad det opp, se Fig. F.

4.3 Koble til lader/lade li-Ion-batteri



Brannfare ved kortslutning av polene med væske eller metallde-ler!

- ▶ Li-ion-batteriet må ikke kort-sluttes.



Fare for personskader på grunn av skadet strømkabel!

- ▶ Kontroller strømkabelen for ska-der før lading.
- ▶ La produsenten skifte ut en ska-det strømkabel.



Fare for personskader og materielle skader på grunn av skadet li-ion-batteri!

- ▶ Kontroller li-ion-batteriet for skader før lading.
- ▶ Ikke bruk eller lad opp et skadet li-ion-batteri.



Tap av kapasitet/ytelse på utladet li-ion-batteri ved lengre lagring!

- ▶ Ved lengre oppbevaring må li-ion-batteriet være fulladet, og lades opp igjen en gang i måneden.



Ødeleggelse av produktet, ladespo-ret eller li-ion-batteriet ved å sette inn feil batteritype i ladesporet!

- ▶ Li-ion-batteriet må kun plasse-res i det beregnede ladesporet.

Merknad

Før idriftsetting skal det sikres at nettspenningen og nettfrekvensen som er angitt på typeskiltet stemmer overens med egenskapene til strømnettet. Ved tilkobling av laderen anbefales det minst å bruke en feilstrømsver-nebryter av typen F med en utløsningsstrøm på maks. 30 mA.

Merknad

Laderen kan brukes av barn fra de er 8 år og personer med reduserte fysiske, sensoriske eller mentale evner eller mangel på erfaring og kunnskaper dersom de er under tilsyn eller har blitt instruert om sikker bruk av enheten og har forstått farene tilknyttet bruken.

- ▶ Barn må ikke leke med enheten.
- ▶ Rengjøring og vedlikehold av enheten må ikke utføres av barn uten til-syn.

Aesculap®

Batteridrevet klippemaskin Bonum for store dyr

Merknad

Li-ion-batteriet vil varmes opp litt under lading.

Merknad

Hvis man ikke jobber med laderen, må strømledningen kobles fra stikkontakten.

- ▶ Bare Aesculap lader GT643 (LC40) må brukes til opplading av Li-ion-batteriet.
- ▶ Sett inn strømstøpselet til laderen 22.
LED-en til driftsvisningen d og LED-en til varselampen e lyser etter hverandre i ca. 1 sekund, se Fig. F.
- ▶ Sett Li-ion-batteriet 21 i ladesporet i laderen 22, se Fig. F.
LED-en til driftsvisningen d blinker, og li-ionbatteriet 21 lades.
Når LED-en til driftsvisningen d lyser kontinuerlig, er li-ionbatteriet helt ladet.

4.4 Skifte li-ion-batteri

- ▶ Hold den batteridrevne klippemaskinen g med klippehodet ned, slik at li-ionbatteriet 21 ikke faller ned når det løsnes, se Fig. 1.
- ▶ Løsne batterilåsen f med tommelen.

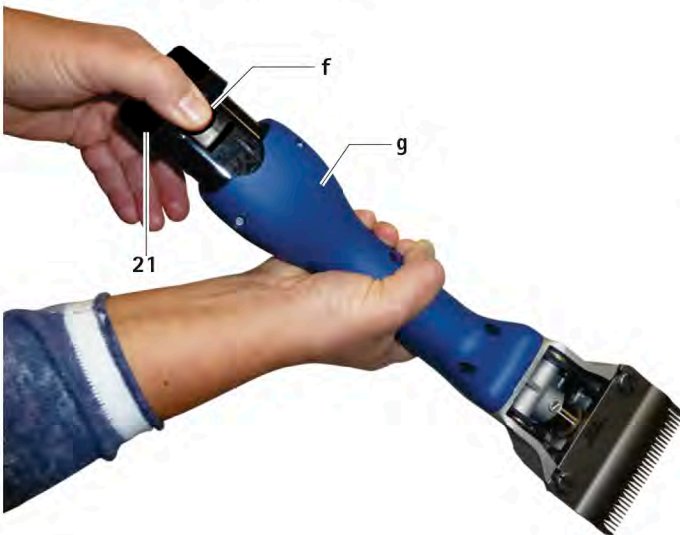


Fig. 1

- ▶ Trekk ut Li-ion-batteriet 21, lad det opp og/eller skyv inn et reserve li-ionbatteri GT641 (31NR19/66-1) i den batteridrevne klippemaskinen g, se Fig. 2.



Fig. 2

4.5 Håndtering av klippehodet

Smøre klippehodet



Skader på klippemaskinen eller klippehodet på grunn av feil olje!

- ▶ Smør klippehodet bare når maskinen er i gang.
- ▶ Dypp ikke maskin og klippehode i væske.
- ▶ Bruk kun lett smøreolje GT604.

- ▶ Smør klippehodet via smørepunktet a rikelig før du klipper hvert dyr, se Fig. A.
- ▶ Smør fjærblader 7 2-3 ganger daglig med 3-4 dråper olje, se Fig. C.

Smøre tannhullet med fett



Skader på klippemaskinen eller tannhullet på grunn av feil smøring med fett!

- ▶ **Bruk kun girfett GT605.**
- ▶ **Smør tannhullet med fett 1-2 ganger per klippesesong.**

- ▶ Lås opp og ta ut Li-ion-batteriet **21**.
- ▶ Skru ut begge skruene **14**, se Fig. B.
- ▶ Når du ser på klippehodet vrir du den ca. 15° mot venstre og tar den ut av motorhuset.
- ▶ Påfør ca. 1 cm fett på de to motstående punktene på tannhullet **12**, se Fig. C.
- ▶ Monter klippehodet forsiktig på motoren. Sørg for at klippehodet monteres ca. 15° mot venstre, og at den nederste nesene griper inn i sporet på motorhuset.

Skifte klippeplater

- ▶ Lås opp og ta ut Li-ion-batteriet **21**.
- ▶ Løsne fingermutteren **11** og skru ut justeringsskruen **10** ca. 2 omdreininger, se Fig. A.
- ▶ Løsne begge klemskruene **4**, trekk av nedre klippeplate **2** fremover og øvre klippeplate **3**, se Fig. D og Fig. E.
- ▶ Før du setter inn den øvre klippeplaten **3** må du sørge for at oscillator-klossene **13** befinner seg i fordypningene på oscillatoren **5**, se Fig. E.
- ▶ Sett inn øvre klippeplate **3**. Sørg for at begge spissene **b** på oscillatoren **5** griper nøyaktig inn i hullene **c** i øvre klippeplate **3**, se Fig. D.
- ▶ Skyv nedre klippeplate **2** under hodene på klemskruene **4** til den stopper på klippehodehuset og stram de to festeskruene **4**.
- ▶ Skru inn justeringsskruen **10** til begge klippeplatene presses lett mot hverandre, se Fig. A.

Rengjøre klippehodet

- ▶ Rengjør klippehodet minst etter et par dagers klipping eller ved forurensning.
- ▶ Lås opp og ta ut Li-ion-batteriet **38**.
- ▶ Skru ut begge skruene **6**, se Fig. B.
- ▶ Når du ser på klippehodet vrir du den ca. 15° mot venstre og tar den ut av motorhuset.
- ▶ Ta av klippeflatene, se Skifte klippeplater.
- ▶ Rengjør det innvendige rommet og de enkelte delene av klippehodet grundig med en børste eller pensel.
- ▶ Sett inn og fest klippeflatene, se Skifte klippeplater.
- ▶ Smør tannraden med fett, se Smøre tannhullet med fett.
- ▶ Monter klippehodet forsiktig på motoren. Sørg for at klippehodet monteres ca. 15° mot venstre, og at den nederste nesene griper inn i sporet på motorhuset.
- ▶ Olje klippeflaten, se Smøre klippehodet.

Still inn platetrykk med presisjonsjusteringshjelp GT146 (alternativt tilgjengelig)

Merknad

Produsenten anbefaler presisjonsjusteringshjelpen GT146 for optimal innstilling av platetrykket.

- ▶ Sett presisjonsjusteringshjelpen GT146 **19** inn i de 2 hullene på reguleringskruen **10**

Merknad

Fingerskruer på eldre klippehoder, som ikke har 2 hull, kan etterjusteres med reguleringskruen GT147.

Aesculap®

Batteridrevet klippemaskin Bonum for store dyr

Stille inn platetrykket

Merknad

Innstillingen av platetrykket må gjøres mens maskinen er i gang og uten hjelpeverktøy.

Merknad

Stort trykk på flaten fører til stor oppvarming og større slitasje på klippeflatene.

- ▶ Løsne fingermutteren **11** og skru ut justeringskruen **10** forsiktig til den øvre klippeplaten **3** ikke lenger trykker på den nederste klippeplaten **2** (lys motorlyd), se Fig. A.
- ▶ Skru inn justeringskruen **10** til du merker en svak motstand. Herfra fortsetter du å skru fingermutteren **11** ca. én omdreining og strammer den deretter.

Rengjøre klippehodet

- ▶ Rengjør klippehodet minst etter et par dagers klipping eller ved forurenning.
- ▶ Lås opp og ta ut Li-ion-batteriet **21**.
- ▶ Skru ut begge skruene **14**, se Fig. B.
- ▶ Når du ser på klippehodet vrir du den ca. 15° mot venstre og tar den ut av motorhuset.
- ▶ Fjern klippeplatene, se Skifte ut klippeplater.
- ▶ Rengjør det innvendige rommet og de enkelte delene av klippehodet grundig med en børste eller pensel.
- ▶ Legg inn og trekk til klippeplatene, se Skifte ut klippeplater.
- ▶ Smør tannhjulet med fett, se Smøre tannhjul.
- ▶ Monter klippehodet forsiktig på motoren. Sørg for at klippehodet monteres ca. 15° mot venstre, og at den nederste nesene griper inn i sporet på motorhuset.
- ▶ Smøre klippehodet se Smøre klippehodet

Etterslipe klippeplatene

- ▶ Henvend deg til teknisk service for å få slipt opp klippeflatene, se Teknisk service.

4.6 Lagring

- ▶ Før oppbevaringen må klippemaskinen og klippeplatene rengjøres godt, se Klargjøring.
- ▶ Lagre klippemaskinen på et tørt, mørkt og rent sted.

5. Klippeplater

5.1 Klippeplater som passer til klippehode GT647 Storfeversjon/GT657 Hesteversjon

Art.nr.	Betegnelse
GT501	Øvre klippeplate med 15 tenner
GT502	Nederste klippeplate med 31 tenner, 3 mm klippehøyde
GT503	Øvre klippeplate med 17 tenner
GT504	Nederste klippeplate med 18 tenner, 3 mm klippehøyde
GT505	Øvre klippeplate med 23 tenner
GT506	Nederste klippeplate med 23 tenner, 3 mm klippehøyde
GT508	Nederste klippeplate med 51 tenner, 1 mm klippehøyde
GT510	Som GT506, men klippehøyde 5 mm
GT511	Som GT502, men klippehøyde 1 mm

5.2 Anbefalte kombinasjoner

Kombinasjon	Over-/underplate	Egnet til
Tett tanning	GT501/GT502	Storfe og hester (normalutstyr)
	GT501/GT511	Industriklipping
	GT505/GT502	Hester og storfe – glatt standardklipp
	GT505/GT508	Hester, storfe (patteklipp) og industriell klipp
Middels tanning	GT505/GT506	Hester og storfe – for svært fin, glatt klipp
	GT505/GT510	Hunder og geiter
Bred tanning	GT503/GT504	Storfe, sau og sau med fin ull

6. Klargjøring

6.1 Rengjøring og desinfisering



FARE

Fare for elektrisk støt og brann!

- ▶ Før rengjøring:
 - Trekk ut støpselet fra laderen.
 - Lås opp li-ion-batteriet og fjern det fra klippemaskinen.
- ▶ Bruk ikke brennbare og eksplosive rengjørings- og desinfeksjonsmidler.
- ▶ Sørg for at ingen væsker kommer inn i produktet.



FORSIKTIG

Skader på eller ødeleggelse av produktet ved maskinell rengjøring/desinfeksjon!

- ▶ Produktet må kun rengjøres/desinfiseres manuelt.
- ▶ Steriliser aldri produktet.



FORSIKTIG

Skader på produktet på grunn av uegnet rengjørings-/desinfeksjonsmiddel!

- ▶ Bruk rengjørings-/desinfeksjonsmidler godkjent av produsenten til overflaterengjøring.
 - ▶ Legg aldri produktet i vann eller rengjøringsmiddel.
 - ▶ Ikke la væske trenge inn i ladesporene.
 - ▶ Rengjør kontaktene i sporet grundig.
- ▶ Produkthuset rengjøres med en lofri klut fuktet med vanlige desinfiserende middel til avtørkingsdesinfeksjon.
 - ▶ Tørk av ved behov rester etter rengjørings- og desinfeksjonsmidler en fuktet, lofri klut med rent vann.
 - ▶ Bruk en ren, lofri klut til tørking.
 - ▶ Rengjør kontaktene i ladesporene med isopropanol eller etylalkohol og en bomullspinne. Bruk ikke etsende kjemikalier.
 - ▶ Gjenta rengjørings-/desinfeksjonsprosessen om nødvendig.

Aesculap®

Batteridrevet klippemaskin Bonum for store dyr

6.2 Kontroll og testing

- ▶ La produktet avkjøles til romtemperatur.
- ▶ Etter hver rengjøring og desinfisering må det kontrolleres at det er rent, fungerer som det skal og at det ikke er skadet.
- ▶ Kontroller produktet for skader, uregelmessige støy, sterk varme eller overdreven vibrasjon.
- ▶ Kontroller klippehodet for ødelagte, skadde og sløve kniver.
- ▶ Fjern defekte produkter umiddelbart.

7. Service

For å sikre en pålitelig drift, anbefaler Aesculap at maskinen gjennomgår en service "minst en gang om året".

8. Oppdage og utbedre feil

8.1 Batteridrevet klippemaskin Bonum

Feil	Årsak	Utbedring
Klippemaskinen starter ikke	Li-ion-batteriet ikke ladet opp	Lad opp li-ion-batteriet
	Li-ion-batteriet er defekt	Sett inn et nytt li-ion-batteri
	Li-ion-batteriet ikke satt inn	Sett inn li-ion-batteriet
Klippemaskinen stopper under drift	Li-ion-batteriet slått av med vernebryteren	Slå klippemaskinen av og på
	Li-ion-batteriet er tomt	Sett inn et nytt li-ion-batteri

8.2 Lader og li-ion-batteri

Feil	Oppdage	Årsak	Utbedring
Lader uten funksjon	LED-indikator "Batteri" lyser ikke	Støpsel ikke plagget i stikkontakten	Stikk strømledningen i stikkontakten i strømnettet.
		Li-ion-batteriet ikke ladet opp	Få produsenten til å reparere laderen, se teknisk service
		Li-ion-batteriet er defekt	La produsenten reparere li-ion-batteriet, se Teknisk service

Feil	Oppdage	Årsak	Utbedring
Li-ion-batteriet lades ikke opp	Li-ion-batteriet er koblet til, ladeindikator lyser ikke	Skitten kontakt på laderen	Rengjør kontaktene i ladesporet, se Klargjøring
	-	Skadet kontakt på laderen	La produsenten reparere laderen, se Teknisk service
	-	Li-ion-batteriet er defekt	La produsenten reparere li-ion-batteriet, se Teknisk service
	-	Lader defekt	La produsenten reparere laderen, se Teknisk service
	-	Under lading vises for høy temperatur i li-ion-batteriet	Fjern li-ion-batteriet fra ladesporet, la det avkjøles og gjenta ladeprosedyren Hvis det oppstår en ny feil, få Li-ion-batteriet reparert av produsenten, se Teknisk service
	-	Ladesvikt eller li-ion-batteri defekt	Fjern li-ion-batteriet fra ladesporet og gjenta ladeprosedyren Hvis det oppstår en ny feil, få Li-ion-batteriet reparert av produsenten, se Teknisk service

9. Teknisk service



Fare for personskader og/eller feil-funksjon!

► Ikke modifier produktet.

Modifikasjoner av dette tekniske utstyret kan medføre tap av garanti/garantikrav i tillegg til mulige tillatelser.

Serviceadresser

Albert Kerbl GmbH

Felizenzell 9

84428 Buchbach / Germany

Phone: +49 (0) 8086 933-100

Fax: +49 (0) 8086 933-500

E-mail: info@kerbl.com

www.kerbl.com

Flere serviceadresser kan fås ved henvendelse til ovennevnte adresse.

Aesculap®

Batteridrevet klippemaskin Bonum for store dyr

10. Tilbehør/reservedeler

Art.nr.	Betegnelsen	Utførelse	Li-ion-batteri	Ladestasjon komplett	Tilbehør
GT644-BL	Bonum storfeversjon / sett med 1 batteri, blått	Europa unntatt Storbritannia	GT641 (31NR19/66-1)	GT643 (LC40)	GT604 Spesialolje til klippehode og klippeplater
GT646-BL	Bonum storfeversjon / sett med 2 batterier, blått				
GT654-RO	Bonum hestversjon / sett med 1 batteri, rosa				
GT656-RO	Bonum hestversjon / sett med 2 batterier, rosa				
GT654-BL	Bonum hestversjon / sett med 1 batteri, blått				
GT656-BL	Bonum hestversjon / sett med 2 batterier, blått				
GT644G-BL	Bonum storfeversjon / sett med 1 batteri, blått	Storbritannia		GT643G (LC40)	
GT646G-BL	Bonum storfeversjon / sett med 2 batterier, blått				
GT654G-RO	Bonum hestversjon / sett med 1 batteri, rosa				
GT656G-RO	Bonum hestversjon / sett med 2 batterier, rosa				
GT654G-BL	Bonum hestversjon / sett med 1 batteri, blått				
GT656G-BL	Bonum hestversjon / sett med 2 batterier, blått				
GT644K-BL	Bonum storfeversjon / sett med 1 batteri, blått	USA		GT643K (LC40)	
GT646K-BL	Bonum storfeversjon / sett med 2 batterier, blått				
GT654K-RO	Bonum hestversjon / sett med 1 batteri, rosa				
GT656K-RO	Bonum hestversjon / sett med 2 batterier, rosa				
GT654K-BL	Bonum hestversjon / sett med 1 batteri, blått				
GT656K-BL	Bonum hestversjon / sett med 2 batterier, blått				
GT644A-BL	Bonum storfeversjon / sett med 1 batteri, blått	Australia		GT643A (LC40)	
GT646A-BL	Bonum storfeversjon / sett med 2 batterier, blått				
GT654A-RO	Bonum hestversjon / sett med 1 batteri, rosa				
GT656A-RO	Bonum hestversjon / sett med 2 batterier, rosa				
GT654A-BL	Bonum hestversjon / sett med 1 batteri, blått				
GT656A-BL	Bonum hestversjon / sett med 2 batterier, blått				

11. Tekniske data

11.1 Batteridrevet klippemaskin Bonum

Turtall	maks. 2 500 1/min
Bruktid med et li-ion-batteri	ca. 70 min til 80 min
Nominell spenning	maks. 10,8 V
Kapasitet	maks. 2 A
Vekt (med klippehode og batteri)	950 g

11.2 Lader GT643 (LC40)

Nettspenningsområde (strømforbruk)	220 V til 240 V
Frekvens	50 Hz til 60 Hz
Lade-/utgangsspenning	maks. 10,8 V
Lade-/utgangsstrøm	maks. 2,3 A
Vekt (med kabel og strømadapter)	360 g

11.3 Li-ionbatteri GT621 (31NR19/66-1)

Celletype	Li
Nominell spenning	10,8 V
Kapasitet	2 Ah
Ladetid	ca. 53 min
Vekt	190 g
Godkjenningssmerke	TÜV-Süd, TÜV NRTL (US-C), CE

11.4 Samsvarserklæring



Vi erklærer på eget ansvar at dette produktet er i samsvar med følgende standarder eller normgivende dokumenter:

2004/108/EF EMK-retningslinje:

DIN EN 60335-1

DIN EN 60335-2-8

Sikkerhet for elektriske apparater til husholdningsbruk og lignende formål

- generelle krav
- til hårklippemaskiner

Aesculap Suhl GmbH

12. Avfallsbehandling

Elektroverktøy, tilbehør og emballasje skal kildesorteres for miljøvennlig resirkulering.

12.1 Bare for EU-land



Ikke kast elektroverktøy i husholdningsavfallet! Ifølge EF-direktiv 2012/19/EF om avfall fra elektrisk og elektronisk utstyr og gjennomføring i nasjonal rett skal brukt elektroverktøy samles inn og sorteres separat for miljøvennlig resirkulering.

12.2 Li-ion-batteri

Li-ion-batterier må ikke kastes i husholdningsavfall, ild eller vann. Defekte eller utbrukte li-ion-batterier skal samles inn resirkuleres eller kastes på en miljøvennlig måte i samsvar med direktiv 2006/66/EF.

13. 2 års garanti

Kjære kunde,

Takk for at du har valgt et produkt fra oss.

Navnet Aesculap står for utprøvd kvalitet og førsteklasses service i mange tiår. Vi tilbyr våre kunder innovative og effektive produkter. Aesculap produserer kvalitetsutstyr og sikrer deg bruk av kvalitetsmaterialer og grundig utførelse. Vi ønsker å påpeke at vi ikke er ansvarlige for feil på våre produkter, dersom disse ikke fungerer perfekt dersom dette er forårsaket av feil bruk, normal slitasje eller at produktet brukes feil eller det benyttes produkter fra andre leverandører som ikke fungerer riktig.

Delers som normalt er utsatt for slitasje, og som vi ikke er ansvarlige for, er batteriet og klippehodet. Også unntatt er feil som ikke påvirker verdien eller funksjonen, eller bare ubetydelig.

Dersom vi er ansvarlige under garantien, forbeholder vi oss retten til å reparere eller erstatte produktet.

Aesculap®

Bonum batteridrivna klippmaskin för stora djur

Översikt

Pos.	Art.-nr	Beteckning
1	GT647801	1 Klipp huvudkapsel monterad
2	GT502	1 Undre klipplatta
3	GT501	1 Övre klipplatta (för nötkreaturer)
	GT505	1 Övre klipplatta (för hästar)
4	GT610010	1 Klämskruv
5	GT367201	1 Oscillator
6	GT367202	2 Styrningsstift
7	TA008295	6 Svängfjäderblad
8	GT610307	1 Fjäderbrygga
9	GT367207	2 Fixeringskruv
10	GT640225	1 Inställningskruv
11	GT610405	2 Räckflad mutter
12	GT640220	1 Axel med kuggjul
13	GT610304	1 Svängkloss
14	TA010017	2 Skruv, kryss, M4 x 16
15	TA005091	2 Skruv
16	GT367803	1 Distansdel höger
17	GT367802	1 Distansdel, vänster
18	GT367804	1 Oscillator, monterad
19	GT146	1 Hjälpanordning för precisionsjustering Torqui
20	GT800249	1 Till-/Från-knapp (med LED)
21	GT641 (31NR19/66-1)	1 Litiumjonbatteri
22	GT643 (LC40)	1 Laddningsaggregat
a	-	1 Oljeställe batteridrivna klippmaskin
b	-	1 Vingmutter
c	-	1 Trycklagerhylsa
d	-	1 Fjäddering
e	-	1 Huslock
f	-	1 Tryckstång
g	-	1 Fjäder med öglor
-	GT604	1 Specialolja för klipp huvud och klipplattor
	GT605	1 Växellådsfett (tub)

Symboler på produkten



OBS! Allmän varningssymbol
OBS! Följ anvisningarna i medföljande dokument



Märkning av elektriska och elektroniska produkter enligt direktiv 2012/19/EU (WEEE), se Avfallshantering

Innehållsförteckning

1.	Säkert handhavande.....	99
2.	Beskrivning av enheten	99
2.1	Leveransbeskrivning	99
2.2	Komponenter som behövs för driften	99
2.3	Användningsändamål.....	99
2.4	Funktionssätt	100
3.	Förberedelse	100
4.	Arbete med batteridrivna klippmaskin, laddare och litiumjonbatteri.....	100
4.1	Ordningställande	100
4.2	Funktionskontroll	100
4.3	Ansluta laddaren/ladda litiumjonbatteriet.....	101
4.4	Byte av litiumjonbatteri.....	102
4.5	Hantering av klipp huvudet	102
4.6	Förvaring.....	104
5.	Klipplattor.....	104
5.1	Klipplattor passande till klipp huvud GT647, version för nötkreaturer/GT657, version för hästar	104
5.2	Rekommenderade kombinationer	104
6.	Förberedelser.....	105
6.1	Rengöring/desinficering	105
6.2	Kontroll och granskning.....	106
7.	Underhåll.....	106
8.	Identifiering och avhjälpande av fel	106
8.1	Batteridrivna klippmaskin Bonum.....	106
8.2	Laddare och litiumjonbatteri.....	106
9.	Teknisk service	107
10.	Tillbehör/reservdelar.....	108
11.	Tekniska data	109
11.1	Batteridrivna klippmaskin Bonum.....	109
11.2	Laddare GT643 (LC40)	109
11.3	Uppladdningsbart litiumjon-batteri GT621 (31NR19/66-1) ...	109
11.4	Försäkran om överensstämmelse.....	109
12.	Avfallshantering	109

12.1	Endast för EU-länder	109
12.2	Litiumjonbatteri	109
13.	2 års garanti	109

1. Säkert handhavande



Livsfara genom elektrisk stöt!

- ▶ **Öppna inte produkten.**
- ▶ **Anslut bara produkten till elnät med skyddsjord.**

- ▶ Kontrollera att produkten är funktionsduglig och i korrekt skick innan den används.
- ▶ Förvara laddare och uppladdningsbara litiumjon-batterier i rumstemperatur.
- ▶ Håll laddare och litiumjonbatterier torra.
- ▶ Ladda upp litiumjonbatterier före första användningen.
- ▶ För att undvika skador till följd av icke fackmässig montering eller drift och inte riskera att garantin och tillverkaransvaret går förlorade:
 - Använd bara produkten enligt denna bruksanvisning.
 - Följ säkerhetsinformation och reparationsanvisningar.
 - Kombinera endast Aesculap-produkter med varandra.
- ▶ Förvara bruksanvisningen så att den är tillgänglig för användaren.
- ▶ Följ gällande standarder.
- ▶ Kontrollera att elinstallationen i lokalen uppfyller IEC-kraven.
- ▶ Lossa nätkabeln genom att dra i stickproppen, inte genom att dra i kabeln.
- ▶ Använd inte produkten i utrymmen med explosionsrisk.
- ▶ Använd inte skadade eller defekta produkter. Sortera genast ut skadade produkter.

2. Beskrivning av enheten

2.1 Leveransbeskrivning

Art.-nr.	Beteckning
GT640-BL	Bonum klippmaskin för nötkreaturer, blå
GT640-RO	Bonum klippmaskin för hästar, rosa
GT641 (3INR19/66-1)	Litiumjonbatteri
GT643 (LC40)	Laddare inkl. nätsladd (med apparatkontakt)
TA015304	Bruksanvisning
TA009222	Skruvmejsel
GT604	Oljeflaska

2.2 Komponenter som behövs för driften

- Batteridriven klippmaskin Bonum
- Laddningsaggregat
- Nätslutningsledning (med apparatkontakt)
- Litiumjonbatteri

2.3 Användningsändamål

Batteridriven klippmaskin Bonum

Den batteridrivna klippmaskinen Bonum används för att klippa stora djur som nötkreaturer, hästar och stora hundar.

Laddare GT643 (LC40)/uppladdningsbart litiumjon-batteri GT641 (3INR19/66-1)

Laddaren GT643 (LC40) används till att ladda uppladdningsbara litiumjon-batterier GT641 (3INR19/66-1).

Aesculap®

Bonum batteridrivna klippmaskin för stora djur

2.4 Funktionssätt

Batteridrivna klippmaskin Bonum

Den batteridrivna klippmaskinen Bonum slås av och på med strömbrytaren **20**.

Tips

För att undvika att maskinen slås av oavsiktligt, så reagerar AV/PÅ-knappen först efter en aktivering >0,5 s.

Laddare GT643 (LC40)/uppladdningsbart litiumjon-batteri GT641 (3INR19/66-1)

Laddaren GT643 (LC40) är avsedd för ett nätspänningsområde från 220 V till 240 V samt från 50 Hz till 60 Hz.

För att kunna använda laddaren GT643 (LC40) ansluts den med sin nätkontakt till elnätet.

Laddaren GT643 (LC40) har ett laddningschakt.

När ett uppladdningsbart litiumjon-batteri sätts in i laddstationen startar laddningen automatiskt.

Laddningstiden är beroende av batteriets laddningstillstånd och kapacitet.

Laddningsprincip

Litiumjonbatterierna laddas upp mycket skonsamt med konstanta strömpulser.

Litiumjonbatteriernas laddningstillstånd ska kontinuerligt övervakas under uppladdningen. Genom att övervaka laddningskurvan säkerställs en 100 % laddning utan överladdning.

Dessutom övervakas batteritemperatur och laddningstiden.

Laddningsnivåsindikatorn **f** på litiumjonbatteriet har 5 lysdioder. Varje LED representerar 20 % laddningsvolym. Om batteriet laddas blinkar den respektive laddningsstatusens LED. Om alla LED:er lyser permanent är batteriet fulladdat.

Laddningstid

När den maximala laddningstiden uppnås avbryts laddningen. Laddningstiden är ca 53 min.

3. Förberedelse

Om följande föreskrifter inte följs tar Aesculap inte på sig något ansvar.

- ▶ Iaktta följande vid uppställning och användning av produkten:
 - nationella installations- och användarföreskrifter,
 - nationella föreskrifter om brand- och explosionskydd,
 - användningsanvisningar enligt IEC-/VDE-bestämmelser.

4. Arbete med batteridrivna klippmaskin, laddare och litiumjonbatteri

4.1 Iordningställande

Anslutning av tillbehör

Kombinationer av tillbehör som inte nämns i bruksanvisningen får bara användas om de uttryckligen är avsedda för den planerade användningen. De får inte inverka negativt på prestanda och säkerhetskrav.

4.2 Funktionskontroll

Batteridrivna klippmaskin Bonum

- ▶ Gör en visuell kontroll.
- ▶ Skjut in det uppladdningsbara litiumjon-batteriet **21** i batterifacket tills det snäpper fast.
- ▶ Laddindikatorn **d** visar laddstatusen.

Tips

För att förhindra att litiumjonbatteriet laddas ur när maskinen inte används, separeras den elektroniska anslutningen av litiumjonbatteriet för att styra batteriskärmen efter 1 timme.

- ▶ Återaktivera litiumjonbatteri **38**: Tryck på knappen **g**, se Fig. E. Alla LED lampor i laddningsstatus indikatorn **f** lyser upp.

Laddare/litiumjonbatteri

- ▶ Gör en visuell kontroll.
- ▶ Innan produkten ansluts till elnätet:
 - Kontrollera att nätanslutningskabeln inte är skadad.
 - Kontrollera produkten för eventuella skador (t.ex. kontrollera kontaktarna på laddningsaxeln så att kontaktarna inte är böjda).
- ▶ Stick in nätkontakten i vägguttaget.
- ▶ Ladda upp och ladda litiumjonbatteriet **21** i laddningslocket på laddaren, se Fig. F.

4.3 Ansluta laddaren/ladda litiumjonbatteriet



Brandfara om polerna kortsluts med vätskor eller metalledar!
▶ Kortslut inte litiumjonbatteriet.



Risk för personskador vid skadad nätanslutningsledning!
▶ Kontrollera innan laddningen att nätanslutningsledningen inte är skadad.
▶ Låt tillverkaren byta ut en skadad nätanslutningsledning.



Risk för personskador och skador på utrustning vid skadat litiumjonbatteri!
▶ Kontrollera innan laddningen att litiumjonbatteriet inte är skadat.
▶ Använd eller ladda inte ett skadat litiumjonbatteri.



Ett urladdat litiumjonbatteri förlorar sin kapacitet om det förvaras en längre tid!
▶ Förvara bara litiumjonbatteriet fulladdat vid en längre tids förvaring, och ladda om det en gång i månaden.



Risk för att produkten, laddningsfacket eller litiumjonbatteriet förstörs genom att fel typ av batteri placeras i laddningsfacket!

- ▶ Placera endast litiumjonbatteriet i ett laddningsfack som är avsett för detta.

Tips

Kontrollera före driftsättning att nätspänningen och nätfrekvensen som anges på typskylten överensstämmer med elnätets data. När laddaren ansluts rekommenderas det att använda minst jordfelsbrytaren av typ F med en utlösningström på max. 30 mA.

Tips

Laddaren kan användas av barn från 8 års ålder och av personer med reducerade fysiska, sensoriska eller mentala förmågor eller brist på erfarenheter och kunskaper om de står under uppsikt beträffande en säker användning av apparaten och förstår de risker som finns.

- ▶ Låt inte barn leka med apparaten.
- ▶ Rengöring och underhåll av laddaren får inte utföras av barn utan uppsikt.

Aesculap®

Bonum batteridrivna klippmaskin för stora djur

Tips

Litiumjonbatteriet värmer upp sig något vid laddningen.

Tips

När det inte arbetas med laddaren skall nätanslutningsledningen skiljas från uttaget.

- ▶ Använd endast Aesculap-laddaren GT643 (LC40) för att ladda de uppladdningsbara litiumjon-batterierna.
- ▶ Anslut laddarens 22 nätkontakt.
Laddindikatorns d lysdiod samt varningsindikatorns e lysdiod tänds efter varandra i ca 1 sekund, se Fig. F.
- ▶ Sätt in det uppladdningsbara litiumjon-batteriet 21 i laddarens laddningsschakt 22 tills det tar stopp, se Fig. F.
Laddindikatorns d lysdiod blinkar och det uppladdningsbara litiumjon-batteriet 21 laddas.
När laddindikatorns d lysdiod lyser med stadigt sken är det uppladdningsbara litiumjon-batteriet fulladdat.

4.4 Byte av litiumjonbatteri

- ▶ Håll den batteridrivna klippmaskinen g med klipphuvudet riktat nedåt så att det uppladdningsbara litiumjon-batteriet 21 inte faller av när det lossnar, se Fig. 1.
- ▶ Lossa batteriets spärr f med tummen.



Fig. 1

- ▶ Dra ut det uppladdningsbara litiumjon-batteriet 21, ladda det och/eller sätt in ett annat fulladdat litiumjon-batteri GT641 (31NR19/66-1) in i den batteridrivna klippmaskinen g, se Fig. 2.



Fig. 2

4.5 Hantering av klipphuvudet

Olja klipphuvudet



klippmaskinen eller klipphuvudet skadas vid felaktig inoljning!

- ▶ Olja endast in klipphuvudet när maskinen är igång.
- ▶ Doppa inte maskinen och klipphuvudet i vätska.
- ▶ Använd endast lättsmörjolja GT604.

- ▶ Olja in klipphuvudet rikligt via oljestället a innan varje djur, se Fig. A.
- ▶ Olja in fjäderbladen 7 2-3 gånger per dag med 3-4 droppar olja, se Fig. C.

Fetta in kugghjul



klippmaskinen eller kugghjulet skadas vid felaktig infettning!

- ▶ Använd endast växellådsfett GT605.
- ▶ Fetta in kugghjulet 1–2 ggr per säsong.

- ▶ Lås upp och ta bort litiumjonbatteri 21.
- ▶ Skruva bort båda skruvarna 14, se Fig. B.
- ▶ Vid blick mot klipp huvudet vrids detta ca. 15° åt vänster och tas av från motorhuset.
- ▶ Applicera ca 1 cm fett på de två motstående punkter på kugghjulet 12, se Fig. C.
- ▶ Sätt försiktigt på klipp huvudet på motorn. Kontrollera att klipp huvudet sätts på med ca. 15° vridning åt vänster och att den undre näsan griper in i motorkapslingens spår.

Byta klipplattor

- ▶ Lås upp och ta bort litiumjonbatteri 21.
- ▶ Lossa räfflad mutter 11 och skruva ur justeringsskruv 10 med ca 2 varv, se Fig. A.
- ▶ Lossa båda klämskruvar 4, dra av den nedre klipplattan 2 framåt och ta bort den övre klipplattan 3, se Fig. A och E.
- ▶ Kontrollera innan du sätter in den övre klipplattan 3 att oscilleringsklossen 13 sitter i avsedd ursparning på oscillatoren 5, se Fig. E.
- ▶ Sätt in den övre klipplattan 3. Kontrollera då att båda spetsarna b till oscillatoren 5 griper in exakt i borrhålen c till den övre klipplattan 3, se Fig. D.
- ▶ Skjut den nedre klipplattan 2 under klämskruvarnas 4 huvuden ända till anslaget mot klipp huvudets kapsel och dra åt båda klämskruvar 4.
- ▶ Skruva in justeringsskruv 10 tills båda klipplattor trycker lätt mot varandra, se Fig. A.

Rengöra klipp huvudet

- ▶ Klipp huvudet skall rengöras minst efter några dagars arbete eller vid nedsmutsning.
- ▶ Lås upp och ta bort litiumjonbatteri 38.
- ▶ Skruva bort båda skruvarna 6, se Fig. B.
- ▶ Vid blick mot klipp huvudet vrids detta ca. 15° åt vänster och tas av från motorhuset.
- ▶ Ta bort skärplattorna, se Byta klipplattor.
- ▶ Rengör klipp huvudets inre och dess enskilda delar med en borste eller en pensel.
- ▶ Sätt i och dra åt skärplattorna, se Byta klipplattor.
- ▶ Fetta verktygen, se Fetta in kugghjul.
- ▶ Sätt försiktigt på klipp huvudet på motorn. Kontrollera att klipp huvudet sätts på med ca. 15° vridning åt vänster och att den undre näsan griper in i motorkapslingens spår.
- ▶ Olja rakhuvudet, se Olja klipp huvudet.

Ställ in plattornas tryck med hjälpanordning för precisionsjustering GT146 (tillgänglig på förfrågan)

Tips

Tillverkaren rekommenderar att använda hjälpanordningen för precisionsjustering GT146 för att optimalt ställa in plattornas tryck.

- ▶ Sätt in hjälpanordning för precisionsjustering GT146 19 i de två öppningarna på justeringsskruven 10.

Tips

Räfflade skruvar på äldre klipp huvuden som inte har två öppningar kan utrustas med justeringsskruven GT147 i efterhand.

Aesculap®

Bonum batteridrivna klippmaskin för stora djur

Inställning av plattrycket

Tips

Inställningen av plattrycket skall ske när maskinen är igenom och utan hjälpverktyg.

Tips

Överdrivet tryck resulterar i hög uppvärmning och större slitage på skärplattorna.

- ▶ Lossa den räfflade muttern **11** och skruva försiktigt ut justeringsskruven **10** tills den övre klipplattan **3** inte längre trycks mot den nedre klipplattan **2** (ljus gångljud), se Fig. A.
- ▶ Skruva in justeringsskruven **10** tills ett lätt motstånd märks. Skruva från och med här in med endast cirka ett varv och dra sedan åt den räfflade muttern **11**.

Rengöra klipp huvudet

- ▶ klipp huvudet skall rengöras minst efter några dagars arbete eller vid nedsmutsning.
- ▶ Lås upp och ta bort uppladdningsbart litiumjon-batteri **21**.
- ▶ Skruva ut båda skruvar **14**, se Fig. B.
- ▶ Titta på klipp huvudet och vrid det med ca 15° åt vänster och ta av det från motorhuset.
- ▶ Ta av klippplattor, se Byta klippplattor.
- ▶ Rengör klipp huvudets inre och dess enskilda delar med en borste eller en pensel.
- ▶ Sätt i klippplattor och dra åt, se Byta klippplattor.
- ▶ Fetta in kugghjulet, se Fetta in kugghjul.
- ▶ Sätt försiktigt på klipp huvudet på motorn. Kontrollera att klipp huvudet sätts på med ca. 15° vridning åt vänster och att den undre näsan griper in i motorkapslingens spår.
- ▶ Olja klipp huvudet se Olja klipp huvudet

Efterslipa klippplattor

- ▶ För Att slipa skärplattorna, kontakta teknisk service, se Teknisk service.

4.6 Förvaring

- ▶ Rengör noggrant skärmaskinen och skärplattorna före förvaring, se Förberedelser.
- ▶ Förvara trimmaskinen i ett torrt, mörkt och jämnt tempererat utrymme.

5. Klippplattor

5.1 Klippplattor passande till klipp huvud GT647, version för nötkreaturer/GT657, version för hästar

Art.-nr.	Beteckning
GT501	Övre klipplatta med 15 tänder
GT502	Undre klipplatta med 31 tänder, klipp höjd 3 mm
GT503	Övre klipplatta med 17 tänder
GT504	Undre klipplatta med 18 tänder, klipp höjd 3 mm
GT505	Övre klipplatta med 23 tänder
GT506	Undre klipplatta med 23 tänder, klipp höjd 3 mm
GT508	Undre klipplatta med 51 tänder, klipp höjd 1 mm
GT510	Som GT506, dock med klipp höjden 5 mm
GT511	Som GT502, dock med klipp höjden 1 mm

5.2 Rekommenderade kombinationer

Kombination	Övre/undre platta	Lämplig för
Tätkuggad	GT501 / GT502	Nötkreaturer och hästar (normalutrustning)
	GT501 / GT511	Industriell klippning
	GT505 / GT502	Hästar oh nötkreaturer – slät standardklippning
	GT505 / GT508	Hästar, nötkreaturer (juverklippning) och industriell klippning
Medelkuggad	GT505 / GT511	Hästar, nötkreaturer – för väldigt fin, slät klippning
	GT505 / GT506	Nötkreatur, hundar och getter
Bredkuggad	GT505 / GT510	Hundar och getter
	GT503 / GT504	Nötkreaturer, får och får med mjuk ull

6. Förberedelser

6.1 Rengöring/desinficering



FARA

Risk för elektrisk stöt och brand!

- ▶ Innan rengöringen:
 - Dra ut nätstickkontakten ur laddaren.
 - Lås upp litiumjonbatteriet och ta ut det ur den batteridrivna klippmaskinen.
- ▶ Brännbara och explosiva rengörings- och desinfektionsmedel får inte användas.
- ▶ Se till att det inte tränger in vätska i produkten.



**OBSERVE-
RA**

Risk för att produkten skadas eller förstörs genom maskinell rengöring/desinficering!

- ▶ Rengör/desinficera bara produkten manuellt.
- ▶ Sterilisera aldrig produkten.



**OBSERVE-
RA**

Risk för att produkten skadas genom olämpliga rengörings-/desinfektionsmedel!

- ▶ Använd rengörings-/desinfektionsmedel som är tillåtna för rengöring av ytorna enligt tillverkarens anvisning.
- ▶ Lagg aldrig produkten i vatten eller rengöringsmedel.
- ▶ Låt det inte komma in vätska i laddningsfacken.
- ▶ Rengör kontakterna i laddningsfacket ytterst noga.

- ▶ Torka vid behov av rester av rengörings- och desinfektionsmedlet med en luddfri duk som fuktats i rent vatten efter verkningstiden.
- ▶ Torka av produktens hölje med en luddfri trasa, som fuktats vanligt medel för avtorkningsdesinficering.
- ▶ Använd en ren, luddfri trasa för torkningen.
- ▶ Rengör kontakterna i laddningsfacken med isopropanol eller etylalkohol och en bomullspinne. Använd inte korrosionsfrämjande kemikalier.
- ▶ Upprepa rengöringen/desinfektionen, om det behövs.

Aesculap®

Bonum batteridriven klippmaskin för stora djur

6.2 Kontroll och granskning

- ▶ Låt produkten svalna till rumstemperatur.
- ▶ Kontrollera efter varje rengöring och desinficering att produkterna är rena och fungerar och inte är skadade.
- ▶ Kontrollera produkten med avseende på skador, ovanliga lagerljud, kraftig uppvärmning eller kraftig vibration.
- ▶ Kontrollera att klipphuvudet inte är brutet, skadat eller har trubbiga egg.
- ▶ Sortera genast ut skadade produkter.

7. Underhåll

För att säkerställa pålitlig drift rekommenderar Aesculap service **minst en gång per år**.

8. Identifiering och avhjälpande av fel

8.1 Batteridriven klippmaskin Bonum

Störning	Orsak	Åtgärd
Den batteridrivna klippmaskinen startar inte	Litiumjonbatteriet inte laddat	Ladda litiumjonbatteriet
	Litiumjonbatteriet defekt	Sätt in ett nytt litiumjonbatteri
	Litiumjonbatteriet inte isatt	Sätt in ett nytt litiumjonbatteri
Den batteridrivna trimmern stannar under driften	Litiumjonbatteriet har stängts av skyddsavstängningen	Starta och stäng av den batteridrivna trimmern
	Litiumjonbatteriet är tomt	Sätt in ett nytt litiumjonbatteri

8.2 Laddare och litiumjonbatteri

Störning	Identifiering	Orsak	Åtgärd
Laddningsaggregat utan funktion	LED-lampan "Batteri" lyser inte	Nätanslutningskabeln inte isatt	Anslut nätkabeln till elnätets uttag
	Litiumjonbatteriet inte laddat	Nätanslutningskabeln defekt	Låt tillverkaren reparera laddaren, se Teknisk service
		Litiumjonbatteriet defekt	Låt tillverkaren reparera litiumjonbatteriet, se Teknisk service

Störning	Identifiering	Orsak	Åtgärd
Litiumjonbatteriet laddas inte	Litiumjonbatteriet isatt, laddningsstatusvisningen lyser inte	Laddningsaggregatets kontakter smutsiga	Rengör kontakter i laddningsfacket, se Förberedelser
	-	Laddarens kontakter är skadade	Låt tillverkaren reparera laddningsaggregatet, se Teknisk service
	-	Litiumjonbatteriet defekt	Låt tillverkaren reparera litiumjonbatteriet, se Teknisk service
	-	Laddaren trasig	Låt tillverkaren reparera laddningsaggregatet, se Teknisk service
	-	Under laddningen uppmäts en alltför hög temperatur i litiumjonbatteriet	Ta ut litiumjonbatteriet ur laddningsfacket, låt det svalna och upprepa laddningen Om ett nytt fel uppstår, få litiumjonbatteriet reparerat av tillverkaren, se Teknisk service
	-	Laddningsstörning eller så är litiumjonbatteriet defekt	Ta ut litiumjonbatteriet ur laddningsfacket och upprepa laddningen Om ett nytt fel uppstår, få litiumjonbatteriet reparerat av tillverkaren, se Teknisk service

9. Teknisk service



Risk för personskador och/eller felaktig funktion!

► **Modifiera inte produkten.**

Ändringar på denna tekniska utrustning kan leda till förlust av garanti-/garantianspråk samt eventuella godkännanden.

Service-adresser

Albert Kerbl GmbH

Felizenzell 9

84428 Buchbach / Germany

Phone: +49 (0) 8086 933-100

Fax: +49 (0) 8086 933-500

E-Mail: info@kerbl.com

www.kerbl.com

Ytterligare service-adresser kan fås via ovan nämnda adress.

Aesculap®

Bonum batteridrivna klippmaskin för stora djur

10. Tillbehör/reservdelar

Art.-nr.	Beteckning	Utförande	Litiumjonbatteri	Laddningsstation komplett	Tillbehör
GT644-BL	Bonum Version för nötkreaturer / set med 1 uppladdningsbart batteri, blå	Europa utom Storbritannien	GT641 (31NR19/ 66-1)	GT643 (LC40)	GT604 Specialolja för klipp huvud och klippplattor
GT646-BL	Bonum Version för nötkreaturer / set med 2 uppladdningsbara batterier, blå				
GT654-RO	Bonum Version för hästar / set med 1 uppladdningsbart batteri, rosa				
GT656-RO	Bonum Version för hästar / set med 2 uppladdningsbara batterier, rosa				GT605 Växellådsfett (tub)
GT654-BL	Bonum Version för hästar / set med 1 uppladdningsbart batteri, blå				
GT656-BL	Bonum Version för hästar / set med 2 uppladdningsbara batterier, blå				
GT644G-BL	Bonum Version för nötkreaturer / set med 1 uppladdningsbart batteri, blå	Storbritannien		GT643G (LC40)	
GT646G-BL	Bonum Version för nötkreaturer / set med 2 uppladdningsbara batterier, blå				
GT654G-RO	Bonum Version för hästar / set med 1 uppladdningsbart batteri, rosa				
GT656G-RO	Bonum Version för hästar / set med 2 uppladdningsbara batterier, rosa				
GT654G-BL	Bonum Version för hästar / set med 1 uppladdningsbart batteri, blå				
GT656G-BL	Bonum Version för hästar / set med 2 uppladdningsbara batterier, blå				
GT644K-BL	Bonum Version för nötkreaturer / set med 1 uppladdningsbart batteri, blå	USA		GT643K (LC40)	
GT646K-BL	Bonum Version för nötkreaturer / set med 2 uppladdningsbara batterier, blå				
GT654K-RO	Bonum Version för hästar / set med 1 uppladdningsbart batteri, rosa				
GT656K-RO	Bonum Version för hästar / set med 2 uppladdningsbara batterier, rosa				
GT654K-BL	Bonum Version för hästar / set med 1 uppladdningsbart batteri, blå				
GT656K-BL	Bonum Version för hästar / set med 2 uppladdningsbara batterier, blå				
GT644A-BL	Bonum Version för nötkreaturer / set med 1 uppladdningsbart batteri, blå	Australien		GT643A (LC40)	
GT646A-BL	Bonum Version för nötkreaturer / set med 2 uppladdningsbara batterier, blå				
GT654A-RO	Bonum Version för hästar / set med 1 uppladdningsbart batteri, rosa				
GT656A-RO	Bonum Version för hästar / set med 2 uppladdningsbara batterier, rosa				
GT654A-BL	Bonum Version för hästar / set med 1 uppladdningsbart batteri, blå				
GT656A-BL	Bonum Version för hästar / set med 2 uppladdningsbara batterier, blå				

11. Tekniska data

11.1 Batteridriven klippmaskin Bonum

Varvtal	max. 2 500 varv/min
Gångtid med ett litiumjonbatteri	ca 70 min till 80 min
Noninell spänning	max. 10,8 V
Kapacitet	max. 2 A
Vikt (med skärhuvud och batteri)	950 g

11.2 Laddare GT643 (LC40)

Nätspänningsområden (strömförbrukning)	220 V till 240 V
Frekvens	50 Hz till 60 Hz
Laddnings-/utspänning	max. 10,8 V
Laddnings-/utström	max. 2,3 A
Vikt (med kabel och nät-del)	360 g

11.3 Uppladdningsbart litiumjon-batteri GT621 (31NR19/66-1)

Celltyp	Li
Nominell spänning	10,8 V
Kapacitet	2 Ah
Laddningstid	ca. 53 min
Vikt	190 g
Märkningar	TÜV-sydSouth, TÜV NRTL (US-C), CE

11.4 Försäkran om överensstämmelse



Vi förklarar under ensamt ansvar att denna produkt stämmer överens med följande standarder eller standardiseringsdokument:

2004/108/EG Direktiv om elektromagnetisk kompatibilitet:

DIN EN 60335-1

DIN EN 60335-2-8

Säkerhet hos elektriska apparater för hushållsbruk och liknande ändamål

– allmänna krav

– för hårklippningsmaskiner

Aesculap Suhl GmbH

12. Avfallshantering

Elektriska verktyg, tillbehör och förpackning skall tillföras en miljövänlig återvinning.

12.1 Endast för EU-länder



Elektriska verktyg får inte slängas bland hushållsavfall! Enligt det europeiska direktivet 2012/19/EU gällande uttjänta elektriska och elektroniska apparater och dess omsättning till nationell rätt skall ej längre fungerande elektriska verktyg samlas in separat och tillföras en miljövänlig återanvändning.

12.2 Litiumjonbatteri

Litiumjonbatterier får inte kastas bland hushållsavfall, i öppen eld eller vatten. Defekta eller förbrukade litiumjonbatterier skall samlas in enligt direktivet 2006/66/EG, återvinnas eller avfallshandteras på ett miljövänligt sätt.

13. 2 års garanti

Bästa kund,

Tack för att du bestämt dig för en produkt från vårt företag.

Namnet Aesculap står sedan årtionden tillbaka för utprovad kvalitet och förstklassig service. Vi erbjuder våra kunder innovativa och kraftfulla produkter. Aesculap tillverkar högklassiga apparater och försäkrar att vi har använt material av hög kvalitet och att produkten är omsorgsfullt tillverkad och sammansatt. Vi vill påpeka att vi inte tar ansvar för materiella brister på våra produkter om dessa beror på en felaktig användning, normalt slitage eller för att produkten använts på ett felaktigt sätt eller om ej passande eller ej felfritt fungerande externa produkter använts.

Delar, som i vanliga fall utsätts för slitage och för vilka vi inte tar något ansvar är batteriet och klipp-huvudet. Även sådana brister, som inte på ett väsentligt sätt påverkar produktens värde eller funktion är undantagna.

Vid ett garantifall förbehåller vi oss rätten att antingen reparera produkten eller byta ut den.

Akumulátorový stříhací strojek Bonum pro velká zvířata

Přehled

Poz.	Kat. č.	Označení
1	GT647801	1 Pouzdro stříhací hlavy smontované
2	GT502	1 Spodní nožová deska
3	GT501	1 Horní nožová deska (pro skot)
	GT505	1 Horní nožová deska (pro koně)
4	GT610010	1 Upínací šroub
5	GT367201	1 Oscilátor
6	GT367202	2 Vodicí kolík
7	TA008295	6 Pružina oscilátoru
8	GT610307	1 Pružinový můstek
9	GT367207	2 Fixační šroub
10	GT640225	1 Regulační šroub
11	GT610405	2 Rýhovaná matice
12	GT640220	1 Hřídel s ozubeným kolečkem
13	GT610304	1 Oscilační špalík
14	TA010017	2 Šroub, kříž, M4 x 16
15	TA005091	2 Šroub
16	GT367803	1 Distanční kus, pravý
17	GT367802	1 Distanční kus, levý
18	GT367804	1 Oscilátor smontovaný
19	GT146	1 Pomůcka pro přesné nastavení Torqui
20	GT800249	1 Tlačítko vypnutí/zapnutí (s LED)
21	GT641 (3INR19/66-1)	1 Li-ion akumulátor
22	GT643 (LC40)	1 Nabíječka
a	-	1 Mazací místo akumulátorový stříhací strojek
b	-	1 Kyvný ořech
c	-	1 Tlakové ložiskové pouzdro
d	-	1 Pružná podložka
e	-	1 Víko pouzdra
f	-	1 Tlačná tyč
g	-	1 Pružina s okem
-	GT604	1 Speciální olej pro stříhací hlavu a nožové desky
	GT605	1 Převodové mazivo (tuba)

Symbole na produktu



Pozor, všeobecný varovný symbol
Pozor, respektujte průvodní dokumentaci



Označení elektrických a elektronických přístrojů dle směrnice 2012/19/EU (OEEZ), viz Likvidace

Obsah

1.	Bezpečná manipulace.....	111
2.	Popis výrobku	111
2.1	Rozsah dodávky	111
2.2	Komponenty potřebné k provozu	111
2.3	Účel použití	111
2.4	Způsob funkce.....	112
3.	Příprava	112
4.	Použití akumulátorového strojku, nabíječky a Li-ion akumulátoru	112
4.1	Příprava	112
4.2	Funkční zkouška	112
4.3	Zapojení nabíječky/nabíjení Li-ion akumulátoru	113
4.4	Výměna Li-ion akumulátoru	114
4.5	Zacházení se stříhací hlavou	114
4.6	Skladování.....	116
5.	Nožové desky	116
5.1	Nožové desky vhodné pro stříhací hlavu GT647 verze pro skot/GT657 verze pro koně	116
5.2	Doporučené kombinace	116
6.	Péče	117
6.1	Čištění/desinfekce.....	117
6.2	Kontrola a zkoušky	118
7.	Údržba	118
8.	Identifikace a odstraňování chyb	118
8.1	Akumulátorový stříhací strojek Bonum.....	118
8.2	Nabíječka a Li-ion akumulátor	118
9.	Technický servis	119
10.	Príslušenství/Náhradní díly	120
11.	Technické parametry	121
11.1	Akumulátorový stříhací strojek Bonum.....	121
11.2	Nabíječka GT643 (LC40).....	121
11.3	Lithium-iontový akumulátor GT62 (3INR19/66-1)	121
11.4	Prohlášení o shodě	121
12.	Likvidace	121

12.1	Pouze pro země EU	121
12.2	Li-ion akumulátor	121
13.	2 roky záruky	121

1. Bezpečná manipulace



Nebezpečí ohrožení života v důsledku zásahu elektrickým proudem!

- ▶ **Produkt neotvírejte.**
- ▶ **Produkt připojujte pouze k napájecí síti s ochranným vodičem.**

- ▶ Před použitím výrobku zkontrolujte jeho funkčnost a bezchybný stav.
- ▶ Nabíječku a lithium-iontové akumulátory uchovávejte při pokojové teplotě.
- ▶ Nabíječku a Li-ion akumulátor uchovávejte v suchu.
- ▶ Před prvním použitím Li-ion akumulátor nabijte.
- ▶ Aby se předešlo škodám v důsledku neodborné montáže nebo provozu a nebyl ohrožen nárok na záruku:
 - Používejte výrobek pouze podle pokynů uvedených v tomto návodu k použití.
 - Respektujte bezpečnostní informace a pokyny k provozní údržbě.
 - Navzájem kombinujte pouze výrobky Aesculap.
- ▶ Návod k použití uchovávejte na místě přístupném pro uživatele.
- ▶ Dodržujte platné normy.
- ▶ Zajistěte, aby elektrická instalace místnosti vyhovovala požadavkům IEC.
- ▶ Odpojte od sítě vytažením za vidlici, nikdy taháním za kabel.
- ▶ Výrobek nepoužívejte v místech s nebezpečím výbuchu.
- ▶ Nikdy nepoužívejte poškozený a nebo vadný výrobek. Poškozený výrobek okamžitě vyřadte.

2. Popis výrobku

2.1 Rozsah dodávky

Kat. č.	Název
GT640-BL	Stříhací strojek Bonum na skot, modrý
GT640-RO	Stříhací strojek Bonum na koně, růžový
GT641 (3INR19/66-1)	Li-ion akumulátor
GT643 (LC40)	Nabíječka vč. napájecího kabelu (se zástrčkou)
TA015304	Návod k použití
TA009222	Šroubovák
GT604	Láhev oleje

2.2 Komponenty potřebné k provozu

- Akumulátorový stříhací strojek Bonum
- Nabíječka
- Napájecí kabel (se zástrčkou)
- Li-ion akumulátor

2.3 Účel použití

Akumulátorový stříhací strojek Bonum

Akumulátorový stříhací strojek Bonum se používá ke stříhání velkých zvířat, jako je skot, koně a velcí psi.

Nabíječka GT643 (LC40)/lithium-iontový akumulátor GT641 (3INR19/66-1)

Nabíječka GT643 (LC40) slouží k nabíjení lithium-iontového akumulátoru GT641 (3INR19/66-1).

Aesculap®

Akumulátorový stříhací strojek Bonum pro velká zvířata

2.4 Způsob funkce

Akumulátorový stříhací strojek Bonum

Akumulátorový stříhací strojek Bonum se zapíná a vypíná tlačítkem zapnout/vypnout **20**.

Upozornění

K zabránění neúmyslnému zapnutí/vypnutí strojku reaguje tlačítko zap-vyp až po stisknutí delším než 0,5 s.

Nabíječka GT643 (LC40)/lithium-iontový akumulátor GT641 (3INR19/66-1)

Nabíječka GT643 (LC40) je dimenzována pro rozsah síťového napětí od 220 V do 240 V a od 50 Hz do 60 Hz.

Pro přípravu strojku k provozu je třeba nabíječku GT643 (LC40) zapojit pomocí síťové zástrčky do sítě.

Nabíječka GT643 (LC40) má nabíjecí slot.

Zasunutím lithium-iontových akumulátorů do nabíječky se automaticky spustí nabíjení.

Doba nabíjení závisí na stavu nabití a kapacitě Li-ion akumulátorů.

Princip nabíjení

Lithium-iontové akumulátory se nabíjí pomocí konstantních proudových impulzů.

Stav nabití Li-ion akumulátorů je během sledován. Sledováním nabíjecí křivky je zajištěno 100 % nabití bez přebíjení.

Navíc jsou monitorovány teplota akumulátoru a doba nabíjení.

Indikátor stavu nabití **F** Li-ion akumulátoru má 5 LED diod. Každá LED dioda představuje 20 % nabití. V procesu nabíjení akumulátoru bliká LED dioda příslušného stavu nabití. Když všechny LED diody trvale svítí, je akumulátor plně nabitý.

Nabíjecí čas

Při dosažení maximální doby nabíjení se proces nabíjení přeruší. Doba nabíjení je přibližně 53 minut.

3. Příprava

Pokud nebudou dodrženy následující předpisy, nepřebírá Aesculap žádnou zodpovědnost.

- ▶ Při instalaci a provozu výrobku dodržujte:
 - národní předpisy pro instalaci a provoz,
 - národní předpisy pro ochranu proti požáru a výbuchu,
 - Aplikační pokyny podle IEC-/VDE-ustanovení.

4. Použití akumulátorového strojku, nabíječky a Li-ion akumulátoru

4.1 Příprava

Připojení příslušenství

Kombinace příslušenství, které nejsou uvedeny v tomto návodu k použití, lze použít pouze tehdy, když jsou výslovně určeny k danému použití. Výkonové charakteristiky ani bezpečnostní požadavky tím nesmějí být negativně ovlivněny.

4.2 Funkční zkouška

Akumulátorový stříhací strojek Bonum

- ▶ Proveďte vizuální kontrolu.
- ▶ Lithium-iontový akumulátor **21** posuňte do otvoru ve strojku tak, aby zapadl.
- ▶ Indikátor stavu baterie **d** zobrazí stav nabití.

Upozornění

Aby se Li-ion akumulátor během nepoužívání strojku nevybijel, elektronické spojení Li-ion akumulátoru s řízením akumulátorového strojku se po 1 hodině odpojí.

- ▶ Opětovná aktivace akumulátoru **38**: Stiskněte tlačítko **g**, viz Obr. E. Všechny LED diody na indikátoru stavu nabití **f** se rozsvítí.

Nabíječka/Li-ion akumulátor

- ▶ Proveďte vizuální kontrolu.
- ▶ Před připojením výrobku k elektrické síti:
 - Zkontrolujte případná poškození napájecího kabelu.
 - Zkontrolujte případná poškození výrobku (např. ohnuté kontakty nabíjecího slotu).
- ▶ Síťovou zástrčku zapojte do zásuvky napájecí sítě.
- ▶ Zasuňte lithium-iontový akumulátor 21 do nabíjecího slotu a nabíjete, viz Obr. F.

4.3 Zapojení nabíječky/nabíjení Li-ion akumulátoru



Nebezpečí požáru při zkratu pólu vlivem kapaliny nebo kovových částí!

- ▶ Li-ion akumulátor nezkratujte.



Nebezpečí úrazu v důsledku poškozeného napájecího kabelu!

- ▶ Před nabíjením zkontrolujte případná poškození napájecího kabelu.
- ▶ Poškozený napájecí kabel nechte vyměnit výrobcem.



Nebezpečí úrazu a hmotných škod v důsledku poškozeného Li-ion akumulátoru!

- ▶ Před nabíjením zkontrolujte případná poškození Li-ion akumulátoru.
- ▶ Poškozený Li-ion akumulátor již nepoužívejte a znovu nenabíjete.



Ztráta kapacity/výkonu vybitého lithium-iontového akumulátoru v důsledku dlouhodobého skladování!

- ▶ V případě delšího skladování uskladněte Li-ion akumulátor pouze plně nabitý a jednou za měsíc jej dobijte.



Zničení výrobku, nabíjecího slotu nebo Li-ion akumulátoru v případě vložení nesprávného typu akumulátoru do nabíjecího slotu!

- ▶ Li-ion akumulátor vkládejte jen do určeného nabíjecího slotu.

Upozornění

Před uvedením do provozu zajistěte, aby síťové napětí a síťová frekvence uvedená na typovém štítku souhlasila s údaji v elektrické síti. Při připojení nabíječky doporučujeme použít minimálně ochranný spínač proti chybnému proudu typu F s vybavovacím proudem max. 30 mA.

Upozornění

Nabíječku smí používat děti od 8 let a výše i osoby se sníženými fyzickými, sensorickými nebo mentálními schopnostmi nebo nedostatkem zkušeností a vědomostí, pokud jsou pod dozorem, nebo pokud byly proškoleny ohledně bezpečného používání přístroje a chápou z toho plynoucí nebezpečí.

- ▶ Nenechávejte děti si s přístrojem hrát.
- ▶ Čištění a údržbu nabíječky nesmí provádět děti bez dozoru.

Aesculap®

Akumulátorový stříhací strojek Bonum pro velká zvířata

Upozornění

Li-ion akumulátory se v průběhu nabíjení lehce zahřívají.

Upozornění

Když právě s nabíječkou nepracujete, musí být napájecí kabel odpojen ze zásuvky.

- ▶ K nabíjení lithium-iontových akumulátorů používejte pouze nabíječku Aesculap GT643 (LC40).
- ▶ Zasuňte síťovou zástrčku nabíječky 22. LED indikátor provozního stavu d a LED výstražného ukazatele e svítí po sobě po dobu cca 1 vteřiny, viz Obr. F.
- ▶ Lithium-iontový akumulátor 21 zasuňte až nadoraz do nabíjecího slotu nabíječky 22 a nabijte, viz Obr. F. LED indikátoru provozního stavu d bliká a lithium-iontový akumulátor 21 se nabíjí. Když LED indikátoru provozního stavu d trvale svítí, je lithium-iontový akumulátor plně nabitý.

4.4 Výměna Li-ion akumulátoru

- ▶ Akumulátorový stříhací strojek g držte stříhací hlavou směrem dolů, aby lithium-iontový akumulátor 21 při uvolnění nespadol, viz Obr. 1.
- ▶ Aretaci akumulátoru f uvolněte palcem.



Obr. 1

- ▶ Lithium-iontový akumulátor 21 vytáhněte, nabijte a/nebo vložte do stříhacího strojku g náhradní lithium-iontový akumulátor GT641 (31NR19/66-1), viz Obr. 2.



Obr. 2

4.5 Zacházení se stříhací hlavou

Mazání stříhací hlavy



Poškození stříhacího strojku nebo stříhací hlavy v důsledku nesprávného mazání!

- ▶ Stříhací hlavu mažte jen na spuštěném strojku.
- ▶ Strojek a stříhací hlavu nenamáčejte do kapalin.
- ▶ Používejte pouze lehký mazací olej GT604.

- ▶ Stříhací hlavu vydatně namažte přes mazací místo a před každým zvířetem, viz Obr. A.
- ▶ Listy pružiny 7 naolejujte 2–3 krát denně 3–4 kapkami oleje, viz Obr. C.

Mazání ozubeného kola



POZOR

Poškození stříhacího strojku nebo ozubeného kola v důsledku nesprávného mazání!

- ▶ **Používejte pouze převodové mazivo GT605.**
- ▶ **Ozubené kolo mažte 1–2 x za sezónu stříhání.**

- ▶ Li-ion akumulátor **21** odjistěte a vyjměte.
- ▶ Vyšroubujte oba šrouby **14**, viz Obr. B.
- ▶ Při pohledu na stříhací hlavu ji otočte o cca 15° doleva a sejměte z tělesa motoru.
- ▶ Naneste cca 1 cm mazacího tuku na dvě protilehlá místa ozubeného kola **12**, Obr. C.
- ▶ Opatrně nasadte stříhací hlavu na motor. Přitom se ujistěte, že stříhací hlava je nasazena vytočená o cca 15° doleva a spodní výčnělek zapadá do drážky v pouzdru motorku.

Výměna nožových desek

- ▶ Li-ion akumulátor **21** odjistěte a vyjměte.
- ▶ Uvolněte rýhovanou matici **11** a regulační šroub **10** vyšroubujte o cca 2 otočení, viz Obr. A.
- ▶ Uvolněte oba svorkové šrouby **4**, spodní nožovou desku **2** vytáhněte směrem dopředu a sejměte horní nožovou desku **3**, viz Obr. A a Obr. E.
- ▶ Před vložením horní nožové desky **3** zajistěte, aby se oscilační špalík **13** nacházel v příslušném otvoru oscilátoru **5**, viz Obr. E.
- ▶ Vložte horní nožovou desku **3**. Zajistěte přitom, aby obě špičky **b** oscilátoru **5** přesně zapadly do otvorů **c** v horní nožové desce **3**, viz Obr. D.
- ▶ Spodní nožovou desku **2** nasuňte pod hlavami svorkových šroubů **4** až na doraz na pouzdro stříhací hlavice a oba svorkové šrouby **4** dotáhněte.
- ▶ Zašroubujte regulační šroubu **10**, až na sebe obě nožové desky lehce tlačí, Obr. A.

Čištění stříhací hlavy

- ▶ Stříhací hlavu čistěte nejméně po několika dnech stříhání nebo při znečištění.
- ▶ Li-ion akumulátor **38** odjistěte a vyjměte.
- ▶ Vyšroubujte oba šrouby **6**, viz Obr. B.
- ▶ Při pohledu na stříhací hlavu ji otočte o cca 15° doleva a sejměte z tělesa motoru.
- ▶ Odejměte nožové desky, viz Výměna nožových desek.
- ▶ Vnitřní prostor a jednotlivé části stříhací hlavy důkladně vyčistěte kartáčkem nebo štětcem.
- ▶ Nožové desky vložte a pevně utáhněte, viz Výměna nožových desek.
- ▶ Namažte ozubené kolo, viz Mazání ozubeného kola.
- ▶ Opatrně nasadte stříhací hlavu na motor. Přitom se ujistěte, že stříhací hlava je nasazena vytočená o cca 15° doleva a spodní výčnělek zapadá do drážky v pouzdru motorku.
- ▶ Stříhací hlavu namažte, viz Mazání stříhací hlavy.

Nastavení tlaku desek s pomůckou pro přesné nastavení GT146 (k dostání volitelně)

Upozornění

Pro optimální nastavení tlaku desky doporučuje výrobce používat pomůcku pro přesné nastavení GT146.

- ▶ Pomůcku pro přesné nastavení GT146 **19** nasuňte do 2 otvorů regulačního šroubu **10**.

Upozornění

Šrouby s rýhovanou hlavou starších nožových hlav, které 2 otvory nemají, lze dodatečně vybavit regulačním šroubem GT147.

Aesculap®

Akumulátorový stříhací strojek Bonum pro velká zvířata

Nastavení přitlaku desek

Upozornění

Nastavení přitlaku desek se musí provádět na běžícím strojku a bez použití náradí.

Upozornění

Příliš vysoký tlak desek vede k vysokému zahřívání a většímu opotřebení nožových desek.

- ▶ Rýhovanou matici 11 uvolněte a regulační šroub 10 opatrně vyšroubujte do té míry, aby horní nožová deska 3 již nebyla přitlačována ke spodní nožové desce 2 (jasný zvuk chodu), viz Obr. A.
- ▶ Zašroubujte regulační šroub 10, dokud neucítíte lehký odpor. Od tohoto okamžiku otočte šroub ještě zhruba o jedno otočení a pak dotáhněte rýhovanou matici 11.

Čištění stříhací hlavy

- ▶ Stříhací hlavu čistěte nejméně po několika dnech stříhání nebo při znečištění.
- ▶ Lithium-iontový akumulátor 21 uvolněte a vyjměte.
- ▶ Vyšroubujte oba šrouby 14, viz Obr. B.
- ▶ Při pohledu na stříhací hlavu ji otočte o cca 15° doleva a sejměte z krytu motoru.
- ▶ Sejměte nožové desky, viz výměna nožových desek
- ▶ Vnitřní prostor a jednotlivé části stříhací hlavy důkladně vyčistěte kartáčkem nebo štětcem.
- ▶ Nožové desky vložte a pevně utáhněte, viz výměna nožových desek
- ▶ Namažte ozubené kolečko, viz mazání ozubeného kolečka.
- ▶ Opatrně nasadte stříhací hlavu na motor. Přitom se ujistěte, že stříhací hlava je nasazena vytočená o cca 15° doleva a spodní výčnělek zapadá do drážky v pouzdru motorku.
- ▶ Mazání stříhací hlavy viz Mazání stříhací hlavy

Broušení nožových desek

- ▶ V případě potřeby nabroušení nožových desek se obraťte na Technický servis, viz Technický servis.

4.6 Skladování

- ▶ Stříhací strojek a nožové desky před uskladněním důkladně vyčistěte, viz Péče.
- ▶ Stříhací strojek skladujte v suché, tmavé a čisté místnosti.

5. Nožové desky

5.1 Nožové desky vhodné pro stříhací hlavu GT647 verze pro skot/GT657 verze pro koně

Kat. č.	Název
GT501	Horní nožová deska s 15 zuby
GT502	Spodní nožová deska se 31 zuby, výška stříhu 3 mm
GT503	Horní nožová deska se 17 zuby
GT504	Spodní nožová deska se 18 zuby, výška stříhu 3 mm
GT505	Horní nožová deska s 23 zuby
GT506	Spodní nožová deska s 23 zuby, výška stříhu 3 mm
GT508	Spodní nožová deska s 51 zuby, výška stříhu 1 mm
GT510	Jako GT506, avšak výška stříhu 5 mm
GT511	Jako GT502, avšak výška stříhu 1 mm

5.2 Doporučené kombinace

Kombinace	Horní / dolní deska	Vhodná pro
Úzké ozubení	GT501/GT502	Skot a koně (normální výbava)
	GT501/GT511	Průmyslové stříhání
	GT505/GT502	Skot a koně – standardní hladké stříhání
	GT505/GT508	Koně, skot (stříhání vemene) a průmyslové stříhání
Střední ozubení	GT505/GT506	Skot, psi a kozy
	GT505/GT510	Psi a kozy
Široké ozubení	GT503/GT504	Pkot, ovce a ovce s jemnou vlnou

6. Péče

6.1 Čištění/desinfekce



NEBEZPEČÍ

Nebezpečí zásahu elektrickým proudem a požáru!

- ▶ Před čištěním:
 - Vytáhněte síťovou zástrčku nabíječky.
 - Li-ion akumulátor odjistěte a vyjměte z akumulátorového strojku.
- ▶ Nepoužívejte žádné hořlavé nebo výbušné čisticí a dezinfekční prostředky.
- ▶ Zajistěte, aby do produktu nevnikla žádná kapalina.



POZOR

Nebezpečí poškození nebo zničení produktu v důsledku strojního čištění/dezinfekce!

- ▶ Produkt čistěte/dezinfikujte pouze ručně.
- ▶ Produkt nikdy nesterilizujte.



POZOR

Nebezpečí poškození produktu v důsledku použití nevhodného čisticího/dezinfekčního prostředku!

- ▶ K čištění ploch používejte povolené čisticí/dezinfekční prostředky podle pokynů výrobce.
- ▶ Produkt nevkládejte nikdy do vody nebo do čisticího prostředku.
- ▶ Do nabíjecích šachet neaplikujte žádnou tekutinu.
- ▶ Kontakty v nabíjecím slotu čistěte s maximální pečlivostí.

- ▶ Otřete kryt výrobku hadříkem bez chlupů, navlhčeném v běžném dezinfekčním prostředku.
- ▶ V případě potřeby otřete zbytky čisticího a dezinfekčního prostředku po uplynutí doby působení utěrkou, která nepouští vlas, navlhčenou čistou vodou.
- ▶ K vysušení použijte čistou utěrku, která nepouští vlas.
- ▶ Kontakty v nabíjecích šachtách vyčistěte izopropanolem resp. etylalkoholem a vatovou tyčinkou. Nepoužívejte žádné chemikálie, které by podporovaly korozi.
- ▶ V případě potřeby čištění/dezinfekci zopakujte.

Aesculap®

Akumulátorový stříhací strojek Bonum pro velká zvířata

6.2 Kontrola a zkoušky

- ▶ Výrobek nechejte vychladnout na teplotu místnosti.
- ▶ Výrobek po každém čištění a desinfekci zkontrolujte na: čistotu, funkci a případná poškození.
- ▶ Produkt zkontrolujte na poškození, nepravidelné zvuky za chodu, nadměrné zahřívání nebo příliš silné vibrace.
- ▶ Zkontrolujte stříhací hlavu, případně poškozené nebo tupé břity.
- ▶ Poškozený výrobek okamžitě vyřadte.

7. Údržba

K zajištění spolehlivého provozu doporučuje Aesculap údržbu **alespoň jednou za rok**.

8. Identifikace a odstraňování chyb

8.1 Akumulátorový stříhací strojek Bonum

Porucha	Příčina	Odstranění
Akumulátorový stříhací strojek se nerozběhne	Li-ion akumulátor není nabitý	Nabijte Li-ion akumulátor
	Li-ion akumulátor je vadný	Vložte nový Li-ion akumulátor
	Li-ion akumulátor není vložený	Vložte Li-ion akumulátor
Akumulátorový stříhací strojek se zastaví během provozu	Li-ion akumulátor vypnut ochranným obvodem	Akumulátorový stříhací strojek vypněte a znovu zapněte
	Li-ion akumulátor je prázdný	Vložte nový Li-ion akumulátor

8.2 Nabíječka a Li-ion akumulátor

Porucha	Identifikace	Příčina	Odstranění
Nabíječka nefunguje	LED indikátor "Aku" nesvítí	Síťový kabel není zapojený	Síťovou zástrčku s kabelem zapojte do zásuvky napájecí sítě.
		Li-ion akumulátor není nabitý	Nabíječku nechte opravit u výrobce, viz Technický servis
		Li-ion akumulátor je vadný	Li-ion akumulátor nechte opravit u výrobce, viz Technický servis

Porucha	Identifikace	Příčina	Odstranění
Li-ion akumulátor se nenabíjí	Li-ion akumulátor je vložený, indikátor stavu nabití nesvítí	Kontakty nabíječky jsou znečištěné	Vyčistěte kontakty v nabíjecím slotu, viz Péče
	-	Kontakty nabíječky jsou poškozeny	Nabíječku nechte opravit u výrobce, viz Technický servis
	-	Li-ion akumulátor je vadný	Li-ion akumulátor nechte opravit u výrobce, viz Technický servis
	-	Nabíječka je vadná	Nabíječku nechte opravit u výrobce, viz Technický servis
	-	Během procesu nabíjení se v lithium-iontovém akumulátoru změří příliš vysoká teplota	Li-ion akumulátor vyjměte z nabíjecího slotu, nechte vychladnout a nabíjení opakujte V případě opakování poruchy: Li-ion akumulátor nechte opravit u výrobce, viz Technický servis
	-	Chyba nabíjení resp. vadný Li-ion akumulátor	Li-ion akumulátor vyjměte z nabíjecího slotu a nabíjení opakujte V případě opakování poruchy: Li-ion akumulátor nechte opravit u výrobce, viz Technický servis

9. Technický servis



Nebezpečí úrazu a/nebo nesprávné funkce!

► Na výrobku neprovádějte změny.

Úpravy tohoto technického zařízení mohou vést ke ztrátě záruky/odpovědnosti za produkt i případných schválení.

Adresy servisů

Albert Kerbl GmbH

Felizenzell 9

84428 Buchbach / Germany

Phone: +49 (0) 8086 933-100

Fax: +49 (0) 8086 933-500

E-mail: info@kerbl.com

www.kerbl.com

Adresy dalších servisů se dozvíte prostřednictvím výše uvedené adresy.

10. Příslušenství/Náhradní díly

Kat. č.	Název	Provedení	Lithium-ion- tový akumu- látor	Nabíjecí sta- nice, kom- pletní	Příslušenství
GT644-BL	Bonum Verze pro skot / sada s 1 akumulátorem, modrá	Evropa kromě Velké Británie	GT641 (3INR19/66-1)	GT643 (LC40)	GT604 Speciální olej pro stříhací hlavy a nožové desky
GT646-BL	Bonum Verze pro skot / sada s 2 akumulátory, modrá				
GT654-RO	Bonum Verze pro koně / sada s 1 akumulátorem, růžová				
GT656-RO	Bonum Verze pro koně / sada s 2 akumulátory, růžová				
GT654-BL	Bonum Verze pro koně / sada s 1 akumulátorem, modrá				
GT656-BL	Bonum Verze pro koně / sada s 2 akumulátory, modrá				
GT644G-BL	Bonum Verze pro skot / sada s 1 akumulátorem, modrá	Velká Británie		GT643G (LC40)	GT605 Převodové mazivo (tuba)
GT646G-BL	Bonum Verze pro skot / sada s 2 akumulátory, modrá				
GT654G-RO	Bonum Verze pro koně / sada s 1 akumulátorem, růžová				
GT656G-RO	Bonum Verze pro koně / sada s 2 akumulátory, růžová				
GT654G-BL	Bonum Verze pro koně / sada s 1 akumulátorem, modrá				
GT656G-BL	Bonum Verze pro koně / sada s 2 akumulátory, modrá				
GT644K-BL	Bonum Verze pro skot / sada s 1 akumulátorem, modrá	USA		GT643K (LC40)	
GT646K-BL	Bonum Verze pro skot / sada s 2 akumulátory, modrá				
GT654K-RO	Bonum Verze pro koně / sada s 1 akumulátorem, růžová				
GT656K-RO	Bonum Verze pro koně / sada s 2 akumulátory, růžová				
GT654K-BL	Bonum Verze pro koně / sada s 1 akumulátorem, modrá				
GT656K-BL	Bonum Verze pro koně / sada s 2 akumulátory, modrá				
GT644A-BL	Bonum Verze pro skot / sada s 1 akumulátorem, modrá	Austrálie		GT643A (LC40)	
GT646A-BL	Bonum Verze pro skot / sada s 2 akumulátory, modrá				
GT654A-RO	Bonum Verze pro koně / sada s 1 akumulátorem, růžová				
GT656A-RO	Bonum Verze pro koně / sada s 2 akumulátory, růžová				
GT654A-BL	Bonum Verze pro koně / sada s 1 akumulátorem, modrá				
GT656A-BL	Bonum Verze pro koně / sada s 2 akumulátory, modrá				

11. Technické parametry

11.1 Akumulátorový stříhací strojek Bonum

Počet zdvihů	max. 2 500 1/min
Doba běhu na jeden Li-ion akumulátor	cca 70 až 80 min
Jmenovité napětí	max. 10,8 V
Kapacita	max. 2 A
Hmotnost (se stříhací hlavou a akumulátorem)	950 g

11.2 Nabíječka GT643 (LC40)

Rozsahy síťového napětí (proudový příkon)	220 V až 240 V
Frekvence	50 Hz až 60 Hz
Nabíjecí/výstupní napětí	max. 10,8 V
Nabíjecí/výstupní proud	max. 2,3 A
Hmotnost (s kabelem a napáječem)	360 g

11.3 Lithium-iontový akumulátor GT62 (3INR19/66-1)

Typ akumulátoru	Li
Jmenovité napětí	10,8 V
Kapacita	2 Ah
Nabíjecí čas	cca 53 min
Hmotnost	190 g
Schvalovací značky	TÜV-Süd, TÜV NRTL (US-C), CE

11.4 Prohlášení o shodě



Tímto na vlastní odpovědnost prohlašujeme, že tento výrobek je v souladu s následujícími normami nebo normativními dokumenty:

2004/108/ES Směrnice EMC:

DIN EN 60335-1

DIN EN 60335-2-8

Bezpečnost elektrických spotřebičů pro domácnost a podobné účely

– obecné požadavky

– na stříhače vlasů

Aesculap Suhl GmbH

12. Likvidace

Elektrické nářadí, příslušenství a obaly by měly být po jejich životnosti odevzdány k ekologické recyklaci.

12.1 Pouze pro země EU



Nikdy nevyhazujte elektrické nářadí do komunální odpadu!

Podle Evropské směrnice 2012/19/ES o starých elektrických a elektronických zařízeních a jejího začlenění do vnitrostátního práva musí být již nepoužívané elektrické nářadí shromažďováno samostatně a odevzdáno k ekologické recyklaci.

12.2 Li-ion akumulátor

Li-ion akumulátor nevyhazujte do komunálního odpadu, do ohně ani do vody. Vadné nebo opotřebené lithium-iontové akumulátory musí být shromažďovány, recyklovány nebo ekologickým způsobem likvidovány v souladu se směrnicí 2006/66/ES.

13. 2 roky záruky

Vážená zákaznice, Vážený zákazníku, srdečně děkujeme za Váš nákup výrobku naší firmy.

Aesculap je již po desetiletí symbolem osvědčené kvality a prvotřídního servisu. Naším zákazníkům nabízíme inovativní a výkonné produkty. Aesculap vyrábí vysoce kvalitní zařízení a zaručuje Vám použití vysoce kvalitních materiálů a pečlivou výrobu. Upozorňujeme však, že neneseme odpovědnost za závady našich produktů, pokud nastanou v důsledku nesprávného použití, normálního opotřebení nebo jako důsledek používání výrobku v rozporu s určením nebo používání nevhodných či nesprávně fungujících cizích produktů.

Díly, které obvykle podléhají opotřebení, a za které proto neneseme odpovědnost, jsou akumulátor a stříhací hlava. Z odpovědnosti vyloučeny jsou rovněž vady, které neovlivňují hodnotu nebo funkci vůbec nebo jen nepatrně.

V případě naší odpovědnosti v rámci záruky si vyhrazujeme právo produkt opravit nebo vyměnit.

Akumulatorowa maszynka do strzyżenia Bonum dużych zwierząt

Przeгляд

Poz.	Nr artykułu	Nazwa
1	GT647801	1 Obudowa głowicy strzygącej zamontowana
2	GT502	1 Dolna płytką tnącą
3	GT501	1 Górna płytką tnącą (dla krów)
	GT505	1 Górna płytką tnącą (dla koni)
4	GT610010	1 Śruba zaciskowa
5	GT367201	1 Element oscylujący
6	GT367202	2 Kołek prowadzący
7	TA008295	6 Płytką sprężynowa
8	GT610307	1 Mostek sprężynujący
9	GT367207	2 Śruba mocująca
10	GT640225	1 Śruba regulacyjna
11	GT610405	2 Nakrętka radełkowana
12	GT640220	1 Wał z kołem zębatym
13	GT610304	1 Klocek oscylujący
14	TA010017	2 Śruba, krzyżak, M4 x 16
15	TA005091	2 Śruba
16	GT367803	1 Element dystansowy, prawy
17	GT367802	1 Element dystansowy, lewy
18	GT367804	1 Element oscylujący zamontowany
19	GT146	1 Przyrząd do precyzyjnej regulacji Torqui
20	GT800249	1 Włącznik/wyłącznik (z diodą)
21	GT641 (3INR19/66-1)	1 Akumulator litowo-jonowy
22	GT643 (LC40)	1 Ładowarka
a	-	1 Punkt smarowania olejem akumulatorowej maszynki do strzyżenia
b	-	1 Kamień ślizgowy
c	-	1 Tuleja łożyska wzdłużnego
d	-	1 Podkładka sprężysta
e	-	1 Pokrywa obudowy
f	-	1 Dźwążek naciskowy
g	-	1 Sprężyna oczkowa

Poz.	Nr artykułu	Nazwa
-	GT604	1 Specjalny olej do głowicy strzygącej i płytek tnących
	GT605	1 Smar przekładniowy (w tubce)

Oznaczenia na produkcie



Uwaga, ogólny znak ostrzegawczy
Uwaga, przestrzegać informacji zawartych w dokumentacji towarzyszącej



Oznakowanie urządzeń elektrycznych i elektronicznych wg dyrektywy 2012/19/UE (WEEE), patrz Utylizacja

Spis treści

1.	Bezpieczne posługiwanie się urządzeniem.....	123
2.	Opis urządzenia	123
2.1	Zakres dostawy	123
2.2	Komponenty niezbędne do eksploatacji urządzenia	123
2.3	Przeznaczenie	123
2.4	Zasada działania	124
3.	Czynności przygotowawcze	124
4.	Praca z użyciem akumulatorowej maszynki do strzyżenia, ładowarki i akumulatora litowo-jonowego	124
4.1	Czynności przygotowawcze	124
4.2	Kontrola działania	124
4.3	Podłączanie ładowarki/ładowanie akumulatora litowo-jonowego	125
4.4	Wymiana akumulatora litowo-jonowego	126
4.5	Posługiwanie się głowicą strzygącą	126
4.6	Przechowywanie	128
5.	Płytki tnące	128
5.1	Płytki tnące pasujące do głowicy strzygącej GT647 wersja dla krów/GT657 wersja dla koni	128
5.2	Zalecane zestawienia	128
6.	Przygotowanie	129
6.1	Czyszczenie/dezynfekcja	129
6.2	Kontrola i testowanie	130
7.	Konserwacja	130
8.	Wykrywanie i usuwanie usterek	130
8.1	Akumulatorowa maszynka do strzyżenia Bonum	130
8.2	Ładowarka i akumulator litowo-jonowy	130

9.	Serwis techniczny	131
10.	Akcesoria/części zamienne	132
11.	Dane techniczne	133
11.1	Akumulatorowa maszynka do strzyżenia Bonum	133
11.2	Ładowarka GT643 (LC40)	133
11.3	Akumulator litowo-jonowy GT621 (3INR19/66-1)	133
11.4	Deklaracja zgodności	133
12.	Utylizacja	133
12.1	Tylko kraje UE	133
12.2	Akumulator litowo-jonowy	133
13.	2 lata gwarancji	133

1. Bezpieczne posługiwanie się urządzeniem



Zagrozenie życia wskutek porażenia prądem!

- ▶ Nie otwierać produktu
- ▶ Produkt przyłączać wyłącznie do sieci z wykorzystaniem przewodu PE.

- ▶ Przed użyciem produktu sprawdzić poprawność działania i prawidłowy stan urządzenia.
- ▶ Ładowarkę oraz akumulatory litowo-jonowe należy przechowywać w temperaturze pokojowej.
- ▶ Nie zamaczać ładowarki i akumulatorów litowo-jonowych.
- ▶ Naładować akumulator litowo-jonowy przed pierwszym użyciem.
- ▶ Aby uniknąć szkód spowodowanych przez niewłaściwe złożenie lub użytkowanie i nie ryzykować utraty gwarancji i odpowiedzialności:
 - Użytkować produkt wyłącznie zgodnie z niniejszą instrukcją obsługi.
 - Przestrzegać przepisów bezpieczeństwa i informacji na temat utrzymania sprawności.
 - Zestawiać wzajemnie tylko wyroby firmy Aesculap.
- ▶ Instrukcję obsługi należy przechowywać w miejscu dostępnym dla osoby stosującej urządzenie.
- ▶ Przestrzegać obowiązujących norm.
- ▶ Upewnić się, czy instalacja elektryczna w pomieszczeniu spełnia standardy IEC.
- ▶ Urządzenie odłączać od sieci przez wyciągnięcie wtyczki przyrządowej – nie ciągnąć za kabel.
- ▶ Produktu nie wolno stosować w strefach zagrożenia wybuchem.
- ▶ Nie używać uszkodzonego lub zepsutego produktu. Uszkodzony produkt należy natychmiast wybrakować.

2. Opis urządzenia

2.1 Zakres dostawy

Nr artykułu	Oznaczenie
GT640-BL	Maszynka do strzyżenia Bonum dużych zwierząt dla krów, niebieska
GT640-RO	Maszynka do strzyżenia Bonum dużych zwierząt dla koni, różowa
GT641 (3INR19/66-1)	Akumulator litowo-jonowy
GT643 (LC40)	Ładowarka z przewodem sieciowym (z wtyczką przyrządową)
TA015304	Instrukcja użycia
TA009222	Śrubokręt
GT604	Butelka z olejem

2.2 Komponenty niezbędne do eksploatacji urządzenia

- Akumulatorowa maszynka do strzyżenia Bonum
- Ładowarka
- Przewód sieciowy (z wtyczką przyrządową)
- Akumulator litowo-jonowy

2.3 Przeznaczenie

Akumulatorowa maszynka do strzyżenia Bonum

Akumulatorowa maszynka do strzyżenia Bonum jest przeznaczona do strzyżenia sierści dużych zwierząt, takich jak krowy, konie i duże psy.

Ładowarka GT643 (LC40)/akumulator litowo-jonowy GT641 (3INR19/66-1)

Ładowarka GT643 (LC40) jest stosowana do ładowania akumulatora litowo-jonowego GT641 (3INR19/66-1).

Aesculap®

Akumulatorowa maszynka do strzyżenia Bonum dużych zwierząt

2.4 Zasada działania

Akumulatorowa maszynka do strzyżenia Bonum

Akumulatorową maszynkę do strzyżenia owiec Bonum włącza się i wyłącza za pomocą włącznika/wyłącznika **20**.

Notyfikacja

Aby uniknąć przypadkowego włączenia lub wyłączenia maszynki, włącznik/wyłącznik reaguje dopiero po naciśnięciu >0,5 sekundy.

Ładowarka GT643 (LC40)/akumulator litowo-jonowy GT641 (3INR19/66-1)

Ładowarka GT643 (LC40) jest przystosowana do napięć zasilających od 220 V do 240 V i od 50 Hz do 60 Hz.

W celu uzyskania stanu gotowości do pracy ładowarkę GT643 (LC40) należy podłączyć do sieci elektrycznej za pomocą kabla zasilającego.

Ładowarka GT643 (LC40) ma jedno gniazdo ładowania.

Z chwilą włożenia akumulatora litowo-jonowego do gniazda ładowania automatycznie rozpoczyna się proces ładowania.

Czas ładowania jest zależny od stopnia rozładowania i pojemności akumulatora litowo-jonowego.

Zasada ładowania

Akumulatory litowo-jonowe są ładowane stałymi impulsami prądu.

Stan naładowania akumulatora litowo-jonowego jest nadzorowany przez cały czas ładowania. Kontrola krzywej ładowania gwarantuje naładowanie bez przeładowania na poziomie 100 %.

Dodatkowo nadzorowane są temperatura akumulatora i czas ładowania.

Wskaźnik poziomu naładowania **f** akumulatora litowo-jonowego składa się z 5 diod. Każda dioda symbolizuje 20 % pojemności ładowania. Jeżeli trwa ładowanie akumulatora, miga dioda danego stanu naładowania. Jeżeli przez cały czas świecą wszystkie diody, oznacza to, że akumulator jest w pełni naładowany.

Czas ładowania

Po osiągnięciu maksymalnego czasu ładowania proces ładowania zostanie przerwany. Czas ładowania wynosi ok. 53 min.

3. Czynności przygotowawcze

Jeśli poniższe przepisy nie będą przestrzegane, to firma Aesculap nie ponosi odpowiedzialności za sprawność urządzenia.

- ▶ Podczas montażu i eksploatacji produktu należy przestrzegać:
 - krajowych przepisów dotyczących instalacji i użytkowania,
 - krajowych przepisów dotyczących ochrony przeciwpożarowej i przeciwwybuchowej,
 - wskazówek dotyczących stosowania, a wynikających z przepisów IEC/VDE.

4. Praca z użyciem akumulatorowej maszynki do strzyżenia, ładowarki i akumulatora litowo-jonowego

4.1 Czynności przygotowawcze

Podłączanie wyposażenia

Kombinacje dotyczące elementów wyposażenia, których nie wymieniono w instrukcji obsługi, mogą być stosowane tylko wówczas, gdy są przeznaczone do danego zastosowania. Charakterystyka wydajnościowa oraz wymagania dotyczące bezpieczeństwa nie mogą być niekorzystnie zmienione.

4.2 Kontrola działania

Akumulatorowa maszynka do strzyżenia Bonum

- ▶ Skontrolować wzrokowo.
- ▶ Wsunąć akumulator litowo-jonowy **21** w gniazdo maszyny, aż się zazębi.
- ▶ Wskaźnik roboczy **d** wskazuje poziom naładowania.

Notyfikacja

Aby zapobiec rozładowywaniu się akumulatora litowo-jonowego, gdy maszynka nie jest używana, połączenie elektryczne akumulatora ze sterowaniem akumulatorowej maszynki do strzyżenia zostaje odłączone po upływie 1 godziny.

- ▶ Reaktywacja akumulatora litowo-jonowego **38**: nacisnąć przycisk **g**, patrz Rys. E.
Wszystkie diody wskaźnika poziomu naładowania **f** świecą.

Ładowarka/akumulator litowo-jonowy

- ▶ Skontrolować wzrokowo.
- ▶ Przed podłączeniem produktu do sieci zasilania elektrycznego:
 - Sprawdzić, czy przewód zasilający nie jest uszkodzony.
 - Produkt należy zbadać pod kątem możliwych uszkodzeń (np. czy styki gniazda ładowarki nie są wygięte).
- ▶ Wtyczkę sieciową włożyć do gniazdka sieci elektrycznej.
- ▶ Włożyć akumulator litowo-jonowy 21 do gniazda ładowania i naładować go, patrz Rys. F.

4.3 Podłączanie ładowarki/ładowanie akumulatora litowo-jonowego



OSTRZEŻENIE

Niebezpieczeństwo pożaru w razie wystąpienia zwarcia biegunów przez płyny lub części metalowe!

- ▶ Nie należy zwierać akumulatora litowo-jonowego.



OSTRZEŻENIE

Niebezpieczeństwo zranienia przez uszkodzony przewód sieciowy!

- ▶ Przed rozpoczęciem ładowania należy sprawdzić, czy przewód sieciowy nie jest uszkodzony.
- ▶ Wymianę uszkodzonego przewodu sieciowego należy zlecić producentowi.



OSTRZEŻENIE

Niebezpieczeństwo zranienia lub spowodowania szkód materialnych przez uszkodzony akumulator litowo-jonowy!

- ▶ Przed rozpoczęciem ładowania należy sprawdzić, czy akumulator litowo-jonowy nie jest uszkodzony.
- ▶ Nie należy używać ani ładować uszkodzonego akumulatora litowo-jonowego.



PRZESTROGA

Dłuższe przechowywanie rozładowanego akumulatora litowo-jonowego powoduje utratę ich pojemności/wydajności!

- ▶ W razie dłuższego przechowywania akumulator litowo-jonowy należy magazynować w stanie całkowicie naładowanym i raz w miesiącu doładowywać.



PRZESTROGA

Włożenie niewłaściwego akumulatora litowo-jonowego do gniazda ładowarki grozi zniszczeniem produktu, gniazda ładowarki lub akumulatora!

- ▶ Akumulator litowo-jonowy wkładać tylko do przewidzianego dla niego gniazda.

Notyfikacja

Przed uruchomieniem należy się upewnić, że podane na tabliczce znamionowej napięcie sieciowe i częstotliwość sieciowa są zgodne z danymi sieci elektrycznej. W przypadku podłączenia ładowarki zaleca się stosowanie co najmniej wyłącznika ochronnego różnicowo-prądowego typu F o prądzie załączenia maks. 30 mA.

Notyfikacja

Urządzenie może być używane przez dzieci powyżej 8 roku życia oraz osoby z ograniczonymi zdolnościami ruchowymi, czuciowymi lub umysłowymi bądź nieposiadające doświadczenia i wiedzy, jeżeli pozostają one pod nadzorem osoby odpowiedzialnej za ich bezpieczeństwo lub otrzymały od niej wskazówki dotyczące bezpiecznego użytkowania urządzenia i rozumieją niebezpieczeństwo związane z użytkowaniem urządzenia.

- ▶ Nie zezwalać dzieciom na zabawę urządzeniem.
- ▶ Prace związane z czyszczeniem i konserwacją ładowarki nie powinny być wykonywane przez dzieci bez nadzoru.

Aesculap®

Akumulatorowa maszynka do strzyżenia Bonum dużych zwierząt

Notyfikacja

Akumulator litowo-jonowy nagrzewa się podczas ładowania.

Notyfikacja

Gdy ładowarka nie jest używana, należy odłączyć jej przewód sieciowy od gniazda zasilającego.

- ▶ Do ładowania akumulatorów litowo-jonowych stosować tylko ładowarkę GT643 (LC40) marki Aesculap.
- ▶ Włożyć wtyczkę sieciową ładowarki 22.

Dioda LED wskaźnika roboczego d oraz dioda LED wskaźnika ostrzegawczego e zapalają się po kolei na ok. 1 sekundę, patrz Rys. F.

- ▶ Włożyć akumulator litowo-jonowy 21 do oporu do gniazda ładowania ładowarki 22, patrz Rys. F.

Dioda LED wskaźnika roboczego d miga, a akumulator litowo-jonowy 21 jest ładowany.

Jeżeli dioda LED wskaźnika roboczego świeci przez cały czas, oznacza to, że akumulator jest w pełni naładowany.

4.4 Wymiana akumulatora litowo-jonowego

- ▶ Ustawioną w dół akumulatorową maszynkę do strzyżenia g przytrzymać za głowicę strzygącą tak, aby akumulator litowo-jonowy 21 nie wypadł podczas wyciągania, patrz Rys. 1.
- ▶ Kciukami zwolnić blokadę akumulatora f.



Rys. 1

- ▶ Wyciągnąć akumulator litowo-jonowy 21, naładować i/lub wsunąć naładowany zapasowy akumulator litowo-jonowy GT641 (31NR19/66-1) do akumulatorowej maszynki do strzyżenia g, patrz Rys. 2.



Rys. 2

4.5 Posługiwanie się głowicą strzygącą

Oliwienie głowicy strzygącej



Uszkodzenie maszynki do strzyżenia lub głowicy strzygącej na skutek użycia niewłaściwego oleju!

- ▶ Głowicę strzygącą oliwić tylko wówczas, gdy maszynka pracuje.
- ▶ Nie umieszczać maszynki ani głowicy strzygącej w cieczach.
- ▶ Używać wyłącznie lekkiego oleju smarowego GT604.

- ▶ Przed użyciem u kolejnego zwierzęcia głowicę strzygącą dokładnie nasmarować przez punkt smarowania olejem a, patrz Rys. A.
- ▶ Płytki sprężynowe 7 oliwić 2-3 razy dziennie 3-4 kroplami oleju, patrz Rys. C.

Smarowanie koła zębatego



Uszkodzenie maszyny do strzyżenia lub koła zębatego na skutek użycia niewłaściwego środka smarnego!

- ▶ **Używać wyłącznie smaru do przekładni GT605.**
- ▶ **Koło zębate smarować 1–2 razy w sezonie strzyżenia.**

- ▶ Odblokować i wyjąć akumulator litowo-jonowy **21**.
- ▶ Wykręcić obie śruby **14**, patrz Rys. B.
- ▶ Ustawić się na wprost głowicy strzygącej, obrócić ją o ok. 15° w lewo i zdjąć z obudowy silnika.
- ▶ Nanieść ok. 1 cm smaru na dwa przeciwległe miejsca na kole zębatym **12**, patrz Rys. C.
- ▶ Ostrożnie założyć głowicę strzygącą na silnik. Zwrócić przy tym uwagę, aby nakładać głowicę strzygącą przekręconą w lewo o ok. 15° oraz aby dolny nosek wszedł w rowek w obudowie silnika.

Wymiana płytek tnących

- ▶ Odblokować i wyjąć akumulator litowo-jonowy **21**.
- ▶ Odkręcić nakrętkę radełkowaną **11** i wykręcić śrubę regulacyjną **10** o około 2 obroty, patrz Rys. A.
- ▶ Odkręcić obie śruby zaciskowe **4**, ściągnąć dolną płytkę tnącą **2** do przodu i zdjąć górną płytkę tnącą **3**, patrz Rys. A i Rys. E.
- ▶ Przed założeniem górnej płytki tnącej **3** zwrócić uwagę, by klocek oscylujący **13** znajdował się w przewidzianym do tego wycięciu elementu oscylującego **5**, patrz Rys. E.
- ▶ Założyć górną płytkę tnącą **3**. Upewnić się, że obie końcówki **b** elementu oscylującego **5** wchodzi dokładnie w otwory **c** górnej płytki tnącej **3**, patrz Rys. D.
- ▶ Dolną płytkę tnącą **2** wsunąć pod łbami śrub zaciskowych **4** do oporu na obudowę głowicy strzygącej i dokręcić obie śruby zaciskowe **4**.
- ▶ Wkręcić śrubę regulacyjną **10**, aż obie płytki tnące zostaną lekko dociśnięte, patrz Rys. A.

Czyszczenie głowicy strzygącej

- ▶ Głowicę strzygącą należy wyczyścić po kilku dniach strzyżenia lub w razie zabrudzenia.
- ▶ Odblokować i wyjąć akumulator litowo-jonowy **38**.
- ▶ Wykręcić obie śruby **6**, patrz Rys. B.
- ▶ Ustawić się na wprost głowicy strzygącej, obrócić ją o ok. 15° w lewo i zdjąć z obudowy silnika.
- ▶ Zdejmowanie płytek tnących, patrz Wymiana płytek tnących.
- ▶ Wnętrze głowicy strzygącej oraz inne pojedyncze części należy dokładnie czyścić za pomocą szczoteczki lub pędzelka.
- ▶ Wkładanie i przykręcanie płytek tnących, patrz Wymiana płytek tnących.
- ▶ Smarowanie koła zębatego, patrz Smarowanie koła zębatego.
- ▶ Ostrożnie założyć głowicę strzygącą na silnik. Zwrócić przy tym uwagę, aby nakładać głowicę strzygącą przekręconą w lewo o ok. 15° oraz aby dolny nosek wszedł w rowek w obudowie silnika.
- ▶ Oliwienie głowicy strzygącej, patrz Oliwienie głowicy strzygącej.

Ustawianie docisku płytki przy użyciu przyrządu do GT146 (opcjonalnie dostępna)

Notyfikacja

W celu optymalnego ustawienia docisku płytki producent zaleca przyrząd do precyzyjnej regulacji GT146.

- ▶ Włożyć przyrząd do precyzyjnej regulacji GT146 **19** w 2 otwory śruby regulacyjnej **10**

Notyfikacja

Śruby radełkowane starszego modelu głowic strzygących, które nie mają 2 otworów, można domontować przy użyciu śruby regulacyjnej GT147.

Aesculap®

Akumulatorowa maszyna do strzyżenia Bonum dużych zwierząt

Ustawianie docisku płytek

Notyfikacja

Ustawienia docisku płytek należy dokonać, gdy maszyna pracuje, ale bez narzędzi pomocniczych.

Notyfikacja

Zbyt silny docisk płytek tnących powoduje ich przegrzanie i większe zużycie.

- ▶ Najpierw odkręcić nakrętkę radełkowaną 11 i ostrożnie wykręcić śrubę regulacyjną 10, aż górna płytka tnąca 3 przestanie dociskać do dolnej płytki tnącej 2 (delikatne odgłosy pracy), patrz Rys. A.
- ▶ Wkręcić śrubę regulacyjną 10 aż do napotkania niewielkiego oporu. Dokręcić jeszcze o około jeden obrót, a następnie dokręcić nakrętkę radełkowaną 11.

Czyszczenie głowicy strzygącej

- ▶ Głowicę strzygącą należy wyczyścić po kilku dniach strzyżenia lub w razie zabrudzenia.
- ▶ Odblokować i wyjąć akumulator litowo-jonowy 21.
- ▶ Wykręcić obie śruby 14, patrz Rys. B.
- ▶ Ustawić się na wprost głowicy strzygącej, obrócić ją o ok. 15° w lewo i zdjąć z obudowy silnika.
- ▶ Zdjąć płytki tnące, patrz Wymiana płytek tnących.
- ▶ Wnętrze głowicy strzygącej oraz inne pojedyncze części należy dokładnie czyścić za pomocą szczoteczki lub pędzelka.
- ▶ Włożyć płytki tnące i dokręcić, patrz Wymiana płytek tnących.
- ▶ Nasmarować koło zębate, patrz Smarowanie koła zębatego.
- ▶ Ostrożnie założyć głowicę strzygącą na silnik. Zwrócić przy tym uwagę, aby nakładać głowicę strzygącą przekręconą w lewo o ok. 15° oraz aby dolny nosek wszedł w rowek w obudowie silnika.
- ▶ Oliwienie głowicy strzygącej patrz Oliwienie głowicy strzygącej

Ostrzenie płytek tnących

- ▶ W celu przeszlifowania płytek tnących zwrócić się do serwisu technicznego, patrz Serwis techniczny.

4.6 Przechowywanie

- ▶ Przed przechowywaniem dokładnie wyczyścić maszynkę do strzyżenia i płytki tnące, patrz Przygotowanie.
- ▶ Maszynkę do strzyżenia przechowywać w suchym, ciemnym i czystym miejscu.

5. Płytki tnące

5.1 Płytki tnące pasujące do głowicy strzygącej GT647 wersja dla krów/GT657 wersja dla koni

Nr artykułu	Oznaczenie
GT501	Górna płytka tnąca z 15 zębami
GT502	Dolna płytka tnąca z 31 zębami, wysokość cięcia 3 mm
GT503	Górna płytka tnąca z 17 zębami
GT504	Dolna płytka tnąca z 18 zębami, wysokość cięcia 3 mm
GT505	Górna płytka tnąca z 23 zębami
GT506	Dolna płytka tnąca z 23 zębami, wysokość cięcia 3 mm
GT508	Dolna płytka tnąca z 51 zębami, wysokość cięcia 1 mm
GT510	Jak GT506, ale wysokość cięcia wynosi 5 mm
GT511	Jak GT502, ale wysokość cięcia wynosi 1 mm

5.2 Zalecane zestawienia

Zestawienie	Płytki górna/dolna	Przeznaczenie
Zęby ciasno rozmieszczone	GT501/GT502	Krowy i konie (wersja standardowa)
	GT501/GT511	Strzyżenie przemysłowe
	GT505/GT502	Konie i krowy – gładkie strzyżenie standardowe
Zęby średnio rozmieszczone	GT505/GT508	Konie, krowy (strzyżenie wymion) i strzyżenie przemysłowe
	GT505/GT511	Konie i krowy – bardzo precyzyjne strzyżenie gładkie
Zęby rzadko rozmieszczone	GT505/GT506	Krowy, psy i kozy
	GT505/GT510	Psy i kozy
Zęby rzadko rozmieszczone	GT503/GT504	Krowy, psy i owce o delikatnej wełnie

6. Przygotowanie

6.1 Czyszczenie/dezynfekcja



Niebezpieczeństwo porażenia prądem i powstania pożaru!

- ▶ **Przed czyszczeniem:**
 - Wyciągnąć wtyczkę ładowarki z gniazda sieciowego.
 - Odblokować akumulator litowo-jonowy i wyjąć go z akumulatorowej maszynki do strzyżenia.
- ▶ Nie stosować łatwopalnych i wybuchowych środków czyszczących i dezynfekujących.
- ▶ Upewnić się, że płyny nie przedostały się do wnętrza produktu.



Mycie maszynowe/dezynfekcja grozi uszkodzeniem produktu!

- ▶ Produkt należy myć i dezynfekować wyłącznie ręcznie!
- ▶ Nigdy nie sterylizować produktu.



Zastosowanie niewłaściwych środków czyszczących/dezynfekcyjnych może doprowadzić do uszkodzenia produktu!

- ▶ Do czyszczenia powierzchni stosować tylko środki czyszczące/dezynfekcyjne dopuszczonego typu, zgodnie z zaleceniami ich producenta.
- ▶ Nigdy nie wkładać produktu do wody lub do płynu myjącego.
- ▶ Nie wlewać płynów do gniazd ładowarki.
- ▶ Z największą starannością czyścić styki gniazda ładowarki.

- ▶ Obudowę produktu wycierać niepozostawiającą kłaczek ściereczką nawilżoną dostępnym w handlu środkiem do dezynfekcji.
- ▶ W razie potrzeby po upływie czasu oddziaływania resztki środka myjącego i dezynfekcyjnego zmyć za pomocą zwilżonej wodą, niepozostawiającą kłaczek ściereczki.
- ▶ Do osuszenia używać suchych, niepozostawiających kłaczek ściereczek.
- ▶ Styki w gniazdach ładowarki czyścić patyczkiem kosmetycznym i izopropanolem lub alkoholem etylowym. Nie stosować środków chemicznych wywołujących korozję.
- ▶ W razie potrzeby czyszczenie/dezynfekcję należy powtórzyć.

Aesculap®

Akumulatorowa maszynka do strzyżenia Bonum dużych zwierząt

6.2 Kontrola i testowanie

- ▶ Ostudzić produkt do temperatury pokojowej.
- ▶ Każdorazowo po zakończeniu czyszczenia i dezynfekcji sprawdzić urządzenie pod kątem czystości, prawidłowości działania i obecności uszkodzeń.
- ▶ Sprawdzić, czy produkt podczas pracy nie wydaje nieoczekiwanych odgłosów, nie nagrzewa się nadmiernie bądź zbyt silnie nie drga.
- ▶ Sprawdzić, czy ostrza głowicy strzygącej nie są uszkodzone, odłamane lub tępe.
- ▶ Uszkodzony produkt należy natychmiast wybrakować.

7. Konserwacja

Aby zapewnić bezawaryjną pracę, firma Aesculap zaleca konserwację **co najmniej raz do roku**.

8. Wykrywanie i usuwanie usterek

8.1 Akumulatorowa maszynka do strzyżenia Bonum

Usterka	Przyczyna	Sposób usunięcia
Akumulatorowa maszynka do strzyżenia nie włącza się	Akumulator litowo-jonowy nie jest naładowany	Naładować akumulator litowo-jonowy
	Akumulator litowo-jonowy uszkodzony	Włożyć nowy akumulator litowo-jonowy
	Akumulator litowo-jonowy nie jest włożony	Włożyć akumulator litowo-jonowy
Akumulatorowa maszynka do strzyżenia przerywa pracę	Akumulator litowo-jonowy wyłączony przez wyłącznik automatyczny	Wyłączyć i ponownie włączyć akumulatorową maszynkę do strzyżenia
	Akumulator litowo-jonowy jest rozładowany	Włożyć nowy akumulator litowo-jonowy

8.2 Ładowarka i akumulator litowo-jonowy

Usterka	Rozpoznanie	Przyczyna	Sposób usunięcia
Ładowarka nie działa	Wskaźnik diodowy akumulatora nie świeci	Nie podłączony przewód zasilający	Przewód przyłącza sieciowego włożyć do gniazdka sieci elektrycznej
		Uszkodzenie przewodu zasilającego	Oddać ładowarkę do naprawy w serwisie producenta, patrz serwis techniczny
	Akumulator litowo-jonowy nie jest naładowany	Akumulator litowo-jonowy uszkodzony	Zlecić naprawę akumulatora litowo-jonowego w serwisie producenta, patrz Serwis techniczny

Usterka	Rozpoznanie	Przyczyna	Sposób usunięcia
Akumulator litowo-jonowy nie ładuje się	Akumulator litowo-jonowy włożony, ale nie świeci wskaźnik poziomu naładowania	Zanieczyszczone styki ładowarki	Oczyścić styki w gnieździe ładowarki, patrz Przygotowanie
	-	Uszkodzone styki ładowarki	Oddać ładowarkę do naprawy w serwisie producenta, patrz Serwis techniczny
	-	Akumulator litowo-jonowy uszkodzony	Zlecić naprawę akumulatora litowo-jonowego w serwisie producenta, patrz Serwis techniczny
	-	Ładowarka uszkodzona	Oddać ładowarkę do naprawy w serwisie producenta, patrz Serwis techniczny
	-	Podczas ładowania wykryto zbyt wysoką temperaturę akumulatora litowo-jonowego	Wyciągnąć akumulator litowo-jonowy z gniazda, ochłodzić i ponownie rozpocząć proces ładowania W razie ponownych zakłóceń: przekazać akumulator litowo-jonowy do naprawy w serwisie producenta, patrz Serwis techniczny
	-	Usterka podczas ładowania lub uszkodzony akumulator litowo-jonowy	Wyjąć akumulator litowo-jonowy z gniazda i ponownie rozpocząć proces ładowania W razie ponownych zakłóceń: przekazać akumulator litowo-jonowy do naprawy w serwisie producenta, patrz Serwis techniczny

9. Serwis techniczny



OSTRZEŻENIE

Niebezpieczeństwo skaleczenia i/lub niewłaściwego działania!

► **Wprowadzanie zmian konstrukcyjnych do produktu jest zabronione.**

Wprowadzanie zmian konstrukcyjnych w urządzeniach technicznych może skutkować utratą roszczeń z tytułu gwarancji lub rękojmi, jak również ewentualnych atestów.

Adresy punktów serwisowych

Albert Kerbl GmbH

Felizenzell 9

84428 Buchbach / Germany

Phone: +49 (0) 8086 933-100

Fax: +49 (0) 8086 933-500

E-mail: info@kerbl.com

www.kerbl.com

Adresy pozostałych punktów serwisowych można uzyskać pod powyższym adresem.

10. Akcesoria/części zamienne

Nr artykułu	Oznaczenie	Wersja	Akumulator litowo-jonowy	Stacja ładowania, kompletna	Wyposażenie
GT644-BL	Bonum wersja dla krów / zestaw z 1 akumulatorem, niebieski	Europa poza Wielką Brytanią	GT641 (3INR19/66-1)	GT643 (LC40)	GT604 Specjalny olej do płytek tnących i głowicy strzygącej
GT646-BL	Bonum wersja dla krów / zestaw z 2 akumulatorami, niebieski				
GT654-RO	Bonum wersja dla koni / zestaw z 1 akumulatorem, różowy				
GT656-RO	Bonum wersja dla koni / zestaw z 2 akumulatorami, różowy				
GT654-BL	Bonum wersja dla koni / zestaw z 1 akumulatorem, niebieski				
GT656-BL	Bonum wersja dla koni / zestaw z 2 akumulatorami, niebieski				
GT644G-BL	Bonum wersja dla krów / zestaw z 1 akumulatorem, niebieski	Wielką Brytanią		GT643G (LC40)	GT605 Smar przekładniowy (w tubce)
GT646G-BL	Bonum wersja dla krów / zestaw z 2 akumulatorami, niebieski				
GT654G-RO	Bonum wersja dla koni / zestaw z 1 akumulatorem, różowy				
GT656G-RO	Bonum wersja dla koni / zestaw z 2 akumulatorami, różowy				
GT654G-BL	Bonum wersja dla koni / zestaw z 1 akumulatorem, niebieski				
GT656G-BL	Bonum wersja dla koni / zestaw z 2 akumulatorami, niebieski				
GT644K-BL	Bonum wersja dla krów / zestaw z 1 akumulatorem, niebieski	USA		GT643K (LC40)	
GT646K-BL	Bonum wersja dla krów / zestaw z 2 akumulatorami, niebieski				
GT654K-RO	Bonum wersja dla koni / zestaw z 1 akumulatorem, różowy				
GT656K-RO	Bonum wersja dla koni / zestaw z 2 akumulatorami, różowy				
GT654K-BL	Bonum wersja dla koni / zestaw z 1 akumulatorem, niebieski				
GT656K-BL	Bonum wersja dla koni / zestaw z 2 akumulatorami, niebieski				
GT644A-BL	Bonum wersja dla krów / zestaw z 1 akumulatorem, niebieski	Australia		GT643A (LC40)	
GT646A-BL	Bonum wersja dla krów / zestaw z 2 akumulatorami, niebieski				
GT654A-RO	Bonum wersja dla koni / zestaw z 1 akumulatorem, różowy				
GT656A-RO	Bonum wersja dla koni / zestaw z 2 akumulatorami, różowy				
GT654A-BL	Bonum wersja dla koni / zestaw z 1 akumulatorem, niebieski				
GT656A-BL	Bonum wersja dla koni / zestaw z 2 akumulatorami, niebieski				

11. Dane techniczne

11.1 Akumulatorowa maszynka do strzyżenia Bonum

Prędkość skokowa	maks. 2 500 obr./min
Pracy z akumulatorem litowo-jonowym	ok. 70 min do 80 min
Napięcie znamionowe	maks. 10,8 V
Pojemność	maks. 2 A
Masa (z głowicą strzygącą i akumulatorem)	950 g

11.2 Ładowarka GT643 (LC40)

Zakresy napięcia sieciowego (pobór prądu)	220 V do 240 V
Częstotliwość	50 Hz do 60 Hz
Napięcie ładowania/napięcie wyjściowe	maks. 10,8 V
Prąd ładowania/prąd wyjściowy	maks. 2,3 A
Masa (z przewodem zasilającym i zasilaczem)	360 g

11.3 Akumulator litowo-jonowy GT621 (3INR19/66-1)

Typ akumulatora	Li
Napięcie znamionowe	10,8 V
Pojemność	2 Ah
Czas ładowania	ok. 53 min
Masa	190 g
Znak kontrolny	TÜV-Süd, TÜV NRTL (US-C), CE

11.4 Deklaracja zgodności



Oświadczamy na własną odpowiedzialność, że niniejszy produkt jest zgodny z następującymi normami lub dokumentami normatywnymi:

2004/108/WE dyrektywa o zgodności elektromagnetycznej:

DIN EN 60335-1

DIN EN 60335-2-8

Bezpieczeństwo urządzeń elektrycznych do użytku domowego i innych celów

- - wymagania ogólne

- - dla golarek do włosów

Aesculap Suhl GmbH

12. Utylizacja

Narzędzia elektryczne, akcesoria i opakowanie należy przekazać do utylizacji zgodnie z przepisami o ochronie środowiska.

12.1 Tylko kraje UE



Nie należy wyrzucać narzędzi elektrycznych do pojemników na odpady z gospodarstw domowych!

Zgodnie z dyrektywą europejską 2012/19/UE w sprawie zużytego sprzętu elektrycznego i elektronicznego oraz właściwymi krajowymi przepisami nieużyteczne narzędzia elektryczne należy gromadzić osobno i przekazać do utylizacji zgodnie z przepisami o ochronie środowiska.

12.2 Akumulator litowo-jonowy

Nie wyrzucać akumulatorów litowo-jonowych do pojemników na odpady z gospodarstw domowych, do ognia ani wody. Uszkodzone lub zużyte akumulatory litowo-jonowe zgodnie z dyrektywą 2006/66/UE należy gromadzić, poddać recyklingowi lub zutylizować zgodnie z przepisami o ochronie środowiska.

13. 2 lata gwarancji

Szanowni Klienci,

dziękujemy za wybór produktu naszej firmy.

Marka Aesculap od wielu dziesięcioleci symbolizuje sprawdzoną jakość oraz pierwszorzędną serwis. Naszym Klientom oferujemy innowacyjne i wydajne produkty. Aesculap wytwarza wysokiej klasy produkty i gwarantuje użycie wysokogatunkowych materiałów oraz staranne wykonanie. Jednocześnie zwracamy uwagę, że nie odpowiadamy za wady fizyczne naszych produktów, jeżeli powstają one w wyniku nieprawidłowego użycia, normalnego zużycia bądź stosowania nieodpowiednich lub niesprawnych produktów obcych producentów.

Do części, które podlegają normalnemu zużyciu i za które nie odpowiadamy, należą akumulator i głowica strzygąca. Z odpowiedzialności producenta wyłączone są także wady fizyczne, które nie wpływają bądź wpływają jedynie nieznacznie na wartość lub działanie produktu.

W ramach naszego świadczenia gwarancyjnego zastrzegamy sobie prawo do naprawy lub wymiany produktu.

Aesculap®

Akkumulátoros nyírógép Bonum nagy állatokhoz

Áttekintés

Poz.	Cikkszám	Megnevezés
1	GT647801	1 Szerelt alsó nyírófejház
2	GT502	1 Az alsó vágólap
3	GT501	1 Felső vágólap (szarvasmarhához)
	GT505	1 Felső vágólap (lovakhoz)
4	GT610010	1 Rögzítőcsavar
5	GT367201	1 Billentő
6	GT367202	2 Vezetőrúd
7	TA008295	6 A billentő rugós lapja
8	GT610307	1 Rugós híd
9	GT367207	2 Rögzítőcsavar
10	GT640225	1 Szabályozócsavar
11	GT610405	2 Recézett anya
12	GT640220	1 Tengely fogaskerékkel
13	GT610304	1 Billentőék
14	TA010017	2 Csavar, keresztfejű, M4 x 16
15	TA005091	2 Csavar
16	GT367803	1 Távtartó egység, jobb
17	GT367802	1 Távtartó egység, bal
18	GT367804	1 Billentő felszerelve
19	GT146	1 Precíziós beállítási segéd, Torqui
20	GT800249	1 Be-/kikapcsoló gomb (LED-del)
21	GT641 (3INR19/66-1)	1 Li-ion akkumulátor
22	GT643 (LC40)	1 Töltőkészülék
a	-	1 Az akkumulátoros nyírógép olajozási helye
b	-	1 Lengő dió
c	-	1 Támcsapágy persely
d	-	1 Szorítógyűrű
e	-	1 Készülékfedél
f	-	1 Nyomórúd
g	-	1 Fűles rugó
-	GT604	1 Speciális olaj a vágófejhez és a vágólemez- zekhez
	GT605	1 Hajtóműolaj (tubus)

Jelek a terméken



Figyelem, általános figyelmeztető jelzés
Figyelem, be kell tartani a kísérődokumentumokban fog-
laltakat



Az elektromos és elektronikus készülékek jelölése a
2012/19/EU irányelvnek (WEEE) megfelelően történik,
lásd Leselejtezés

Tartalomjegyzék

1.	Biztonságos kezelés	135
2.	A készülék leírása	135
2.1	Szállítási terjedelem	135
2.2	Az üzemeltetéshez szükséges szerkezeti elemek	135
2.3	Felhasználási terület	135
2.4	Működési elve	136
3.	Előkészületek	136
4.	Az akkumulátoros nyírógéppel, a töltőkészülékkel és a Li-ion akkumulátorokkal való munkavégzés	136
4.1	Rendelkezésre állítás	136
4.2	A funkciók ellenőrzése	136
4.3	A töltőkészülék csatlakoztatása/A Li-ion akkumulátor feltöltése	137
4.4	A Li-ion akkumulátor cseréje	138
4.5	A nyírófej kezelése	138
4.6	Tárolás	140
5.	A vágólemez	140
5.1	A GT647 (szarvasmarha)/GT657 (ló) vágófejhez illeszkedő vágólemez	140
5.2	Javasolt kombinációk	140
6.	Előkészítés	141
6.1	Tisztítás/fertőtlenítés	141
6.2	Ellenőrzés és vizsgálat	142
7.	Karbantartás	142
8.	A hibák felismerése és elhárítása	142
8.1	Akkumulátoros nyírógép Bonum	142
8.2	A töltőkészülék és a Li-ion akkumulátor	142
9.	Műszaki szerviz	143
10.	Tartozékok/pótalkatrészek	144
11.	Műszaki adatok	145
11.1	Akkumulátoros nyírógép Bonum	145
11.2	Töltőkészülék GT643 (LC40)	145
11.3	Lítium-ion akkumulátor GT621 (3INR19/66-1)	145
11.4	Megfelelőségi nyilatkozat	145
12.	Leselejtezés	145

12.1	Csak az EU tagországokban	145
12.2	Li-ion akkumulátor	145
13.	2 év garancia	145

1. Biztonságos kezelés



VESZÉLY

Az elektromos áramütés életveszélyes!

- ▶ **Ne nyissa fel a készülék burkolatát.**
- ▶ **A készüléket csak védőföldeléssel ellátott elektromos hálózatra csatlakoztassa.**

- ▶ A készülék használatának megkezdése előtt ellenőrizze annak működőképességét és rendeltetésszerű állapotát.
- ▶ A töltőkészüléket és a lítiumion akkumulátorokat szobahőmérsékleten tárolja.
- ▶ A töltőkészüléket és a Li-ion akkumulátorokat száraz helyen tárolja.
- ▶ Töltse fel a Li-ion akkumulátorokat az első használatba vétel előtt.
- ▶ A szakszerűtlen összeszerelés, vagy használat által okozott károk elkerülése és a garancia, illetve szavatosság megőrzése érdekében:
 - A terméket csak a jelen kezelési utasításban foglaltak szerint használja.
 - Tartsa be a biztonságtechnikai figyelmeztetéseket és a karbantartási utasításokat.
 - Csak Aesculap termékeket kombináljon egymással.
- ▶ Tegye a felhasználó számára elérhetővé a kezelési utasítást.
- ▶ Tartsa be a vonatkozó szabványokat.
- ▶ Győződjön meg arról, hogy a helyiség elektromos rendszerei megfeleljenek az IEC követelményeinek.
- ▶ Az elektromos kapcsolatokat mindig a csatlakozónál és sohasem a kábelnél fogva szüntesse meg.
- ▶ Ne helyezze üzembe a készüléket robbanásveszélyes környezetben.
- ▶ Ne használjon sérült, vagy hibás terméket. A sérült terméket azonnal selejtezze le.

2. A készülék leírása

2.1 Szállítási terjedelem

Cikkszám	Megnevezés
GT640-BL	Nyírógép Bonum szarvasmarhához, kék
GT640-RO	Nyírógép Bonum lovakhoz, rózsaszín
GT641 (3INR19/66-1)	Lí-ion akkumulátor
GT643 (LC40)	Töltőkészülék és hálózati csatlakozó kábel (készülék oldali csatlakozóval)
TA015304	Használati utasítás
TA009222	Csavaros kar
GT604	Olajos flakon

2.2 Az üzemeltetéshez szükséges szerkezeti elemek

- Akkumulátoros nyírógép Bonum
- Töltőkészülék
- Hálózati csatlakozó kábel (készülék oldali csatlakozóval)
- Lí-ion akkumulátor

2.3 Felhasználási terület

Akkumulátoros nyírógép Bonum

A Bonum akkumulátoros nyírógép nagy állatok nyírásához használható, mint amilyen a szarvasmarha, a ló vagy nagyobb kutyák.

Töltőkészülék GT643 (LC40/Lítium-ion akkumulátor GT641 (3INR19/66-1))

A GT643 (LC40) töltőkészülék a GT641 (3INR19/66-1) lítium-ion akkumulátor töltéséhez használható.

Aesculap[®]

Akkumulátoros nyírógép Bonum nagy állatokhoz

2.4 Működési elve

Akkumulátoros nyírógép Bonum

A Bonum akkumulátoros nyírógép be- és kikapcsolása a be-/kikapcsológomb **20** megnyomásával történik.

Felhívás

A gép véletlen be-/kikapcsolásának elkerülése érdekében csak a bekapcsolás után >0,5 másodperccel reagál a kapcsológomb.

Töltőkészülék GT643 (LC40)/Lítium-ion akkumulátor GT641 (3INR19/66-1)

A GT643 (LC40) töltőkészülék 220V és 240V közötti hálózat feszültségteremtővel és 50 Hz és 60 Hz közötti értékeken használható.

Az üzemi állapot biztosítására a GT643 (LC40) töltőkészüléket a hálózati csatlakozó segítségével az elektronos hálózatra kell csatlakoztatni.

A GT643 (LC40) töltőkészülék egy töltőfiókkal is el van látva.

A töltési művelet sor a lítium-ion akkumulátor töltőfiókba helyezésével automatikusan indul.

A töltési idő a Li-ion akkumulátor állapotától és töltöttségi szintjétől függ.

A töltési elv

A Li-ion akkumulátorok töltése állandó áramimpulzusokkal történik.

A töltőkészülék folyamatosan figyeli a Li-ion akkumulátor töltöttségi szintjét a töltés alatt. A töltési görbe folyamatos figyelése eredményeként túltöltés nélkül biztosítható a 100 %-os töltés.

A rendszer emellett az akkumulátor hőmérsékletét és a töltési időt is figyeli.

A Li-ion akkumulátorok **f** töltési állapot kijelzőjén 5 LED világító diódát találunk. Mindegyik LED a töltési szint 20 %-ának felel meg. Az adott töltöttségi szintnek megfelelő LED lámpa villog a töltési folyamat alatt. Teljesen fel van töltve az akkumulátor, ha mindegyik LED folyamatosan világít.

A töltési idő

Leáll a töltési folyamat, miután elérte a megengedett teljes töltési időt a töltés. A töltési idő kb. 53 perc.

3. Előkészületek

Semmilyen felelősséget sem vállal az Aesculap, ha nem tartották be az alábbi előírásokat.

- ▶ A készülék felállítása és üzemeltetése során az alábbiakat kell betartania:
 - a nemzeti üzemi helyezési és üzemeltetési előírásokat,
 - a nemzeti tűzvédelmi és robbanás elleni előírásokat,
 - az IEC/VDE szabványok szerinti alkalmazási előírásokat.

4. Az akkumulátoros nyírógéppel, a töltőkészülékkel és a Li-ion akkumulátorokkal való munkavégzés

4.1 Rendelkezésre állítás

A tartozékok csatlakoztatása

Csak akkor használhat a használati leírásban kifejezetten meg nem nevezett tartozék kombinációt, ha az kifejezetten a tervezett felhasználásra készült. Nem befolyásolható a készülék teljesítménye és a biztonságtechnikai követelményszintje károsan.

4.2 A funkciók ellenőrzése

Akkumulátoros nyírógép Bonum

- ▶ Szemrevételezés.
- ▶ Tolja be a lítium-ion akkumulátort **21** a gép nyílásába, míg az be nem kattan.
- ▶ A **d** üzemi kijelző mutatja a töltöttségi szintet.

Felhívás

A készülék 1 óra múlva automatikusan bontja a Li-ion akkumulátor és a vezérlés közötti elektromos kapcsolatot annak elkerülése érdekében, hogy használat hiányában a készülékben süljön ki a Li-ion akkumulátor.

- ▶ A **38** Li-ion akkumulátor újra bekapcsolása: Nyomja meg a **g** gombot, lásd Ábra E.
Az **f** töltöttségi szint jelző valamennyi LED jelzőlámpája világítani fog.

Töltőkészülék/Lí-ion akkumulátor

- ▶ Szemrevételezés.
- ▶ Mielőtt az elektromos hálózatra csatlakoztatná a készüléket:
 - Ellenőrizze a hálózati csatlakozó kábel esetleges sérüléseit.
 - Vizsgálja meg hogy nincs-e esetleg sérülés a készüléken (például ellenőrizze, hogy nem görbültek-e el a töltőfiók érintkezői).
- ▶ Csatlakoztassa a hálózati csatlakozó dugót az elektromos hálózathoz.
- ▶ Helyezze be a 21 lítium-ion akkumulátort a töltőkészülék töltőfiókjába és töltsen fel, lásd Ábra F.



Tönkremehet a termék, a töltőfiók, vagy a Lí-ion akkumulátor, ha nem a megfelelő típusú akkumulátort dugja a töltőfiókba!

- ▶ **Csak a megfelelő töltőfiókba helyezze a Lí-ion akkumulátorokat.**

4.3 A töltőkészülék csatlakoztatása/A Lí-ion akkumulátor feltöltése



Tűzveszélyt jelent, ha folyadékkal, vagy fém szerkezettel rövidre zárja a pólusokat!

- ▶ **Ne zárja rövidre a Lí-ion akkumulátorokat! .**



A sérült hálózati csatlakozó bal-esetveszélyt jelent!

- ▶ **Éppen ezért a töltés előtt ellenőrizze a hálózati csatlakozó kábel épségét.**
- ▶ **Cseréltesse ki a gyártóval az esetleg sérült hálózati tápkábelt.**



A sérült Lí-ion akkumulátor sérülést és jelentős anyagi kárt okozhat!

- ▶ **A töltés előtt ellenőrizze a Lí-ion akkumulátorok épségét.**
- ▶ **Ne használja és ne is töltsen fel a sérült Lí-ion akkumulátort.**



A lemerült akkumulátor hosszas tárolása során csökkenhet a Lí-ion akkumulátor kapacitása/teljesítőképessége!

- ▶ **Csak teljesen feltöltött állapotban tárolja hosszabb időn át a Lí-ion akkumulátorokat és havonta egyszer töltsen után azokat.**

Felhívás

Az üzembe vétel előtt győződjön meg arról, hogy a típustáblán megadott hálózati feszültség és hálózati frekvenciaérték megfelel az áramhálózati értékeknek. A töltőkészülék csatlakoztatása előtt javasolt legalább F típusú hibaáram-védőkapcsolót használni max. 30 mA értékkel.

Felhívás

A töltőkészüléket a 8 évnél idősebb gyermekek és a fizikailag mozgásukban korlátozott, vagy mentálisan sérült felnőttek, illetve a kellő tapasztalattal nem rendelkező személyek csak tapasztalt felnőtt jelenlétében, vagy a készülék kezelésére és biztonságos használatára irányuló oktatás után használhatják, feltéve, hogy tisztában vannak a készülék használata és üzemeltetése jelentette veszélyekkel.

- ▶ A gyermekek nem játszhatnak a készülékkel.
- ▶ A gyermekek felügyelet nélkül nem is tisztíthatják és tarthatják karban a töltőkészüléküket.

Aesculap®

Akkumulátoros nyírógép Bonum nagy állatokhoz

Felhívás

A töltés alatt enyhén felmelegszik a Li-ion akkumulátor.

Felhívás

Használaton kívül mindig húzza ki a töltőkészülék tápkábelének elektromos csatlakozóját a csatlakozó aljzatból.

- ▶ Kizárólag GT643 (LC40) Aesculap töltőkészüléket használjanak a lítium-ion akkumulátor töltéséhez.
- ▶ Dugják be a töltőkészülék hálózati csatlakozóját **22**.
A d üzemműködés LED-je és az e figyelmeztető kijelző LED-je egymás után kb. 1 másodpercre felvillannak. Lásd az F. ábrát.
- ▶ Tolja be a lítium-ion akkumulátort **21** ütközésig a töltőkészülék töltőnyílásába **22**, lásd Ábra F.
A d üzemműködés LED-je villog és a lítium-ion akkumulátor **21** töltése megkezdődik.
Ha a d üzemi kijelző LED-je tartósan világít, akkor a lítium-ion akkumulátor töltése befejeződött.

4.4 A Li-ion akkumulátor cseréje

- ▶ A vágófejjel lefele vegye kézbe a **g** akkumulátoros nyírógépet, hogy a felnyitásokor ki ne essen a **21** lítium-ion akkumulátor, lásd Ábra 1.
- ▶ Nyissa fel a hüvelykujjával az **f** akkumulátorfiók reteszelését.



Ábra 1

- ▶ Húzza ki a lítium-ion akkumulátort **21** és helyezzen be egy feltöltött lítium-ion akkumulátort a GT641 (31NR19/66-1) akkumulátoros nyírógépbe **g**, lásd Ábra 2.



Ábra 2

4.5 A nyírófej kezelése

A nyírófej olajozása



A helytelen olajozással sérülhet a nyírógép, vagy nyírófej!

- ▶ Csak a gép működése közben olajozza a nyírófejet.
- ▶ Ne mártsa folyadékba a nyírógépet és a nyírófejet.
- ▶ Csak GT604 könnyű kenőolajat használjon.

- ▶ A nyírófej olajozási helyét a minden állat előtt bőven olajozza meg, lásd Ábra A.
- ▶ A rugós lapokat 7 naponta 2-3 alkalommal olajozza, 3-4 csepp olajjal, lásd Ábra C.

A fogaskerék zsírzása



A helytelen zsírással sérülhet a nyírógép, vagy a nyírófej!

- ▶ Csak GT605 készülékzsírt használjon.
- ▶ Vágási szezononként 1–2 alkalommal zsírozza meg a fogaskereket.

- ▶ Reteszelje ki és vegye ki a 21 lítium-ion akkumulátort.
- ▶ Tekerje ki mindkét 14 csavart, lásd Ábra B.
- ▶ A vágófejet nézve forgassa el azt kb. 15°-kal lefele és vegye le a motorházról.
- ▶ Hordjon fel kb. 1 cm zsírt a 12 fogaskerék egymással szembenező pontjaira, lásd Ábra C.
- ▶ Óvatosan dugja rá a vágófejet a motorra. Ügyeljen rá, hogy a vágófejet mintegy 15°-kal balra elfordítva dugja fel a motorra, hogy az alsó orra a motorház hornyába illeszkedjék.

A vágólemezek cseréje

- ▶ Reteszelje ki és vegye ki a 21 lítium-ion akkumulátort.
- ▶ Oldja ki a recézett anyákat 11 és forgassa ki a szabályozócsavart 10 kb. 2 fordulattal, lásd Ábra A.
- ▶ Oldja ki a két rögzítőcsavart 4, húzza ki előre az alsó vágólapot 2, és vegye ki a felső vágólapot 3. Erről lásd Ábra és E.
- ▶ A felső vágólap 3 behelyezése előtt győződjön meg arról, hogy a billentőék 13 a számára kialakított mélyedésben van a billentőben 5, lásd Ábra E.
- ▶ Helyezze be a felső vágólapot 3. Ennek során ügyeljen arra, hogy a billentő 5 két b hegye pontosan a felső vágólap 3 c furataiban helyezkedik el, lásd Ábra D.
- ▶ Tolja be az alsó vágólapot 2 a rögzítőcsavarok 4 feje alá ütközésig a nyírófej házába és szorítsa rá mindkét rögzítőcsavart 4.
- ▶ Csavarozza be mindkét szabályozócsavart 10, míg a két vágólap finoman egymáshoz nem nyomódik, lásd Ábra A.

A nyírófej tisztítása

- ▶ A szennyeződéstől függően, de legalább néhány naponta tisztítsa meg a nyírófejet.
- ▶ Reteszelje ki és vegye ki a 38 Li-ion akkumulátort.
- ▶ Tekerje ki mindkét 6 csavart, lásd Ábra B.
- ▶ A vágófejet nézve forgassa el azt kb. 15°-kal lefele és vegye le a motorházról.
- ▶ A vágólemezek leszerelése, lásd A vágólemezek cseréje.
- ▶ Egy kefével, vagy ecsettel gondosan tisztítsa meg a vágófej belsejét.
- ▶ Helyezze be és rögzítse a helyükön a vágólapokat, lásd A vágólemezek cseréje.
- ▶ Zsírozza meg a fogaskereket, lásd A fogaskerék zsírzása.
- ▶ Óvatosan dugja rá a vágófejet a motorra. Ügyeljen rá, hogy a vágófejet mintegy 15°-kal balra elfordítva dugja fel a motorra, hogy az alsó orra a motorház hornyába illeszkedjék.
- ▶ A nyírófej olajozása, lásd A nyírófej olajozása.

A lapnyomás beállítása GT146 precíziós beállítósegéddel (opcionálisan kapható)

Felhívás

A gyártó a lapok nyomásának optimális beállításához javasolja a GT146 precíziós beállítósegéd használatát.

- ▶ A GT146 precíziós beállítósegéd 19 behelyezése a szabályozócsavarok 10 két furatába.

Felhívás

Régebbi nyírófejek recézett csavarjai, melyek nem rendelkeznek 2 furattal, a GT147 szabályozócsavarral szerelhetők fel.

Aesculap®

Akkumulátoros nyírógép Bonum nagy állatokhoz

A lemeznyomás beállítása

Felhívás

A lemeznyomás beállítását a gép működése közben, külső segédeszköz használata nélkül kell elvégezni.

Felhívás

A túl nagy lemeznyomás a gép felmelegedését és a vágólapok gyorsabb kopását okozza.

- ▶ Oldja ki a recézett anyát **11** és forgassa ki óvatosan a szabályozócsavart **10**, míg a felső vágólap **3** nem nyomódik az alsó vágólapra **2** (magas menethang). Lásd az A ábrát.
- ▶ A szabályozócsavar beforgatása **10**, míg ellenállás nem érezhető. Forgassa innentől egy forgatással tovább, majd húzza le a recézett anyát **11**.

A nyírófej tisztítása

- ▶ A szennyeződéstől függően, de legalább néhány naponta tisztítsa meg a nyírófejet.
- ▶ Reteszelve ki és vegye ki a **21** lítium-ion akkumulátort.
- ▶ Forgassa ki a két csavart **14**. Lásd a B ábrát.
- ▶ A vágófejet nézve forgassa el azt kb. 15° -kal lefele és vegye le a motorháztól.
- ▶ Vegye le a vágólapokat. Lásd a vágólapok cseréjéről szóló részt.
- ▶ Egy kefével, vagy ecsettel gondosan tisztítsa meg a vágófej belsejét.
- ▶ Helyezze be a vágólapokat és szorítsa rá azokat. Lásd a vágólapok cseréjéről szóló részt.
- ▶ Kenje be a fogaskereket. Erről lásd a fogaskerekek kenéséről szóló részt.
- ▶ Óvatosan dugja rá a vágófejet a motorra. Ügyeljen rá, hogy a vágófejet mintegy 15° -kal balra elfordítva dugja fel a motorra, hogy az alsó orra a motorház hornyába illeszkedjék.
- ▶ A nyírófej olajozása lásd A nyírófej olajozása

A vágólemezek utánélezése

- ▶ A vágólapok utánélezését bízta a műszaki szervizszolgálatra, lásd Műszaki szerviz.

4.6 Tárolás

- ▶ Az elraktározás előtt alaposan tisztítsa meg a nyírógépet és a vágólapokat, lásd Előkészítés.
- ▶ A nyírógépet száraz, sötét, tiszta helyiségben tárolja.

5. A vágólemezek

5.1 A GT647 (szarvasmarha)/GT657 (ló) vágófejhez illeszkedő vágólemezek

Cikkszám	Megnevezés
GT501	Felső vágólap 15 foggal
GT502	Alsó vágólap 31 foggal, vágási magasság 3 mm
GT503	Felső vágólap 17 foggal
GT504	Alsó vágólap 18 foggal, vágási magasság 3 mm
GT505	Felső vágólap 23 foggal
GT506	Alsó vágólap 23 foggal, vágási magasság 3 mm
GT508	Alsó vágólap 51 foggal, vágási magasság 1 mm
GT510	Mint a GT506 esetén, de 5 mm-es vágási magassággal
GT511	Mint a GT502 esetén, de 1 mm-es vágási magassággal

5.2 Javasolt kombinációk

Kombináció	Felső/alsó lap	Alkalmas az alábbiakhoz
Sűrű fogazású	GT501/GT502	Szarvasmarha és ló (normál felszerelés)
	GT501/GT511	Ipari nyírás
	GT505/GT502	Szarvasmarha és ló – sima standard vágás
	GT505/GT508	Ló, szarvasmarha (tőgynyírás) és ipari nyírás
	GT505/GT511	Ló és szarvasmarha – nagyon finom, sima nyírás
Közepes fogazású	GT505/GT506	Szarvasmarha, kutya és kecske
	GT505/GT510	Kutya és kecske
Széles fogazású	GT503/GT504	Szarvasmarha, juhok és finom gyapjú juhok

6. Előkészítés

6.1 Tisztítás/fertőtlenítés



VESZÉLY

Áramütés és tűzveszély!

- ▶ A tisztítás előtt:
 - Válassza le a hálózati tápkábelt a töltőkészülekről.
 - Reteszelve ki és vegye ki a Li-ion akkumulátort a nyírógép-ből.
- ▶ Ne használjon gyúlékony, vagy robbanásveszélyes tisztítószer-t.
- ▶ Ügyeljen arra, hogy ne kerüljön folyadék a készülék belsejébe.



VIGYÁZAT

A gépi tisztítással/fertőtlenítéssel károsodhat, vagy tönkre is mehet a készülék!

- ▶ Éppen ezért csak kézzel tisztítsa/fertőtlenítsen a készüléket.
- ▶ Sohase sterilizálja a készüléket.



VIGYÁZAT

A nem megfelelő tisztítás/fertőtlenítés károsodást okozhat a készülékben!

- ▶ A gyártó ajánlása szerinti tisztító- és fertőtlenítőszer használjon a készülék külső tisztítási-sához.
- ▶ Sohase fektesse a készüléket vízbe vagy tisztítószeres folyadékba.
- ▶ Ne kerüljön víz, vagy folyadék a töltőfiókba.
- ▶ Nagyon óvatosan tisztítsa a töltőfiókban található érintkezőket.

- ▶ A készülék házát nem szőszölő, a kereskedelmi forgalomban beszerezhető tisztítószerszel átitatott törölkendővel törölje át.
- ▶ Szükség szerint a kellő hatás kifejtése után távolítsa el a tisztító-, illetve fertőtlenítőszer maradékot egy tiszta, nem szőszölő törölkendővel a készülékről.
- ▶ A szárazra törléshez is tiszta, nem szőszölő törölkendőt használjon.
- ▶ A töltőfiók érintkezőit izopropil alkohollal, illetve etilalkohollal átitatott vattapálcikával törölje át. Ne használjon a korróziót elősegítő vegyszereket.
- ▶ Szükség esetén ismételje meg a tisztítást/fertőtlenítést.

Aesculap®

Akkumulátoros nyírógép Bonum nagy állatokhoz

6.2 Ellenőrzés és vizsgálat

- ▶ Hagyni kell a terméket szobahőmérsékletűre lehűlni.
- ▶ Minden tisztítás és fertőtlenítés után vizsgálja meg a készüléket az alábbiak szerint: Tisztaság, funkció, esetleges károsodások.
- ▶ Különösen ügyeljen a károsodásokra, a szokatlan gépzajokra, a túlzott melegedésre, vagy a túl erős rázkódásra.
- ▶ A vágófejnél a letört, sérült, vagy életlen vágófelületeket ellenőrizze.
- ▶ A sérült terméket azonnal selejtezze le.

7. Karbantartás

A zavarmentes üzem biztosítása érdekében az Aesculap **legalább évente egyszer** alapos karbantartást javasol.

8. A hibák felismerése és elhárítása

8.1 Akkumulátoros nyírógép Bonum

Hibajelenség	Lehetséges oka	Elhárítása
Nem indul be az akkumulátoros nyírógép	Nincs feltöltve a Li-ion akkumulátor	Töltse fel a Li-ion akkumulátort
	Hibás a Li-ion akkumulátor	Tegyen be új Li-ion akkumulátort
	Nem helyezett be Li-ion akkumulátort	Tegyen be egy Li-ion akkumulátort
Leáll üzem közben az akkumulátoros nyírógép	A védőáramkör lekapcsolta a Li-ion akkumulátort	Kapcsolja ki, majd be az akkumulátoros nyírógépet
	Lemerült a Li-ion akkumulátor	Tegyen be új Li-ion akkumulátort

8.2 A töltőkészülék és a Li-ion akkumulátor

Hibajelenség	Felismerése	Lehetséges oka	Elhárítása
Nem működik a töltőkészülék	Nem világít az "Akku" LED jelzőlámpa	Nem csatlakoztatta a készüléket a hálózathoz	Csatlakoztass a hálózati csatlakozó vezetékét az elektromos hálózat dugaszába.
		Hibás a hálózati tápkábel	Javíttassa meg a gyártóval a töltőkészüléket, lásd a műszaki szakszervíz c. részt.
	Nincs feltöltve a Li-ion akkumulátor	Hibás a Li-ion akkumulátor	Javíttassa meg a gyártóval a Li-ion akkumulátort, lásd Műszaki szervíz

Hibajelenség	Felismerése	Lehetséges oka	Elhárítása
Nincs feltöltve a Li-ion akkumulátor	Be van helyezve a Li-ion akkumulátor, de nem világít a töltöttségi szint jelzés	Elszennyeződtek a töltőkészülék érintkezői	Tisztítsa meg az érintkezőket a töltőfiókban, lásd Előkészítés
	-	Megsérültek a töltőkészülék érintkezői	Javíttassa meg a gyártóval a töltőkészüléket, lásd Műszaki szerviz
	-	Hibás a Li-ion akkumulátor	Javíttassa meg a gyártóval a Li-ion akkumulátort, lásd Műszaki szerviz
	-	Hibás a töltőkészülék	Javíttassa meg a gyártóval a töltőkészüléket, lásd Műszaki szerviz
	-	Túl magas hőmérsékletet észlel a Li-ion akkumulátoroknál a töltés során	Vegye ki a Li-ion akkumulátort a töltőfiókból, hagyja lehűlni és ismétlje meg a töltési művelet-sort Ismételt hiba esetén: Javíttassa meg a Li-ion akkumulátort a gyártóval, lásd Műszaki szerviz
	-	Zavar a töltésnél, vagy hibás a lítium-akkumulátor	Vegye ki a Li-ion akkumulátort a töltőfiókból és ismétlje meg a töltési műveletsort Ismételt hiba esetén: Javíttassa meg a Li-ion akkumulátort a gyártóval, lásd Műszaki szerviz

9. Műszaki szerviz



Sérülésveszély és/vagy hibás működés!

► **A terméken nem végezhető módosítás.**

A készülék meg nem engedett műszaki módosításával elveszhet a készülékre adott garancia/szavatosság és a használatba vételi engedély is érvényét veszítheti.

Szervizcímek

Albert Kerbl GmbH

Felizenzell 9

84428 Buchbach / Germany

Phone: +49 (0) 8086 933-100

Fax: +49 (0) 8086 933-500

E-Mail: info@kerbl.com

www.kerbl.com

A további szervizek címeiről a fenti címen kérhet tájékoztatást.

Aesculap®

Akkumulátoros nyírógép Bonum nagy állatokhoz

10. Tartozékok/pótalkatrészek

Cikkszám	Megnevezés	Kivitel	Lítium-ion akkumulátor	Komplett töltőállomás	Tartozékok
GT644-BL	Bonum Szarvasmarhákhoz / készlet 1 akkumulátorral, kék	Európa, kivéve Nagy-Britanniát	GT641 (3INR19/66-1)	GT643 (LC40)	GT604 A vágólapokhoz és a nyírófejhez alkalmas speciális olaj
GT646-BL	Bonum Szarvasmarhákhoz / készlet 2 akkumulátorral, kék				
GT654-RO	Bonum Lovakhoz / készlet 1 akkumulátorral, rózsaszín				
GT656-RO	Bonum Lovakhoz / készlet 2 akkumulátorral, rózsaszín				
GT654-BL	Bonum Lovakhoz / készlet 1 akkumulátorral, kék				
GT656-BL	Bonum Lovakhoz / készlet 2 akkumulátorral, kék				
GT644G-BL	Bonum Szarvasmarhákhoz / készlet 1 akkumulátorral, kék	Nagy-Britannia		GT643G (LC40)	GT605 Hajtóműolaj (tubus)
GT646G-BL	Bonum Szarvasmarhákhoz / készlet 2 akkumulátorral, kék				
GT654G-RO	Bonum Lovakhoz / készlet 1 akkumulátorral, rózsaszín				
GT656G-RO	Bonum Lovakhoz / készlet 2 akkumulátorral, rózsaszín				
GT654G-BL	Bonum Lovakhoz / készlet 1 akkumulátorral, kék				
GT656G-BL	Bonum Lovakhoz / készlet 2 akkumulátorral, kék				
GT644K-BL	Bonum Szarvasmarhákhoz / készlet 1 akkumulátorral, kék	USA		GT643K (LC40)	
GT646K-BL	Bonum Szarvasmarhákhoz / készlet 2 akkumulátorral, kék				
GT654K-RO	Bonum Lovakhoz / készlet 1 akkumulátorral, rózsaszín				
GT656K-RO	Bonum Lovakhoz / készlet 2 akkumulátorral, rózsaszín				
GT654K-BL	Bonum Lovakhoz / készlet 1 akkumulátorral, kék				
GT656K-BL	Bonum Lovakhoz / készlet 2 akkumulátorral, kék				
GT644A-BL	Bonum Szarvasmarhákhoz / készlet 1 akkumulátorral, kék	Ausztrália		GT643A (LC40)	
GT646A-BL	Bonum Szarvasmarhákhoz / készlet 2 akkumulátorral, kék				
GT654A-RO	Bonum Lovakhoz / készlet 1 akkumulátorral, rózsaszín				
GT656A-RO	Bonum Lovakhoz / készlet 2 akkumulátorral, rózsaszín				
GT654A-BL	Bonum Lovakhoz / készlet 1 akkumulátorral, kék				
GT656A-BL	Bonum Lovakhoz / készlet 2 akkumulátorral, kék				

11. Műszaki adatok

11.1 Akkumulátoros nyírógép Bonum

Löketszám	max. 2 500 1/min
Futásidő egy Li-ion akkumulátorral	kb. 70 - 80 perc
Névleges feszültség	max. 10,8 V
Kapacitás	max. 2 A
Tömege (vágófejjel és akkumulátorral)	950 g

11.2 Töltőkészülék GT643 (LC40)

Hálózati feszültségtartomány (áramfelvétel)	220 - 240 V
Frekvencia	50 - 60 Hz
Töltő-/kimenő feszültség	max. 10,8 V
Töltő-/kimenő áram	max. 2,3 A
Tömege (a kábellel és a tápegységgel)	360 g

11.3 Lítium-ion akkumulátor GT621 (3INR19/66-1)

Cellatípus	Li
Névleges feszültség	10,8 V
Kapacitás	2 Ah
A töltési idő	kb. 53 perc
Súly	190 g
Tanúsítványok	TÜV-Süd, TÜV NRTL (US-C), CE

11.4 Megfelelőségi nyilatkozat



Teljes felelősségünk tudatában kijelentjük, hogy ez a termék megfelel az alábbi szabványoknak és szabványértékű dokumentumoknak:

2004/108/EK EMV irányelvek:

DIN EN 60335-1

DIN EN 60335-2-8

A háztartásban és egyéb célokra használt elektromos eszközök biztonsága

– általános követelmények

– a haj- és szőrvágó berendezésekre vonatkozóan

Aesculap Suhl GmbH

12. Leselejtezés

Az elektromos szerszámokat, tartozékait és csomagolását a környezetvédelmi szempontoknak megfelelően kell újrahasznosítani, vagy ártalmatlanítani.

12.1 Csak az EU tagországokban



Ne dobja az elektromos kéziszerszámokat a háztartási hulladékgyűjtőbe!

Az elektromos és elektronikus használt készülékekre vonatkozó 2012/19/EU irányelveknek és azok nemzeti jogrendbe való átültetésének megfelelően a már használatra alkalmatlan, vagy felesleges elektromos szerszámokat külön kell gyűjteni és a környezetvédelmi szempontoknak megfelelően kell azokat újrahasznosítani.

12.2 Li-ion akkumulátor

Ne dobja a Li-ion akkumulátorokat a háztartási hulladékgyűjtőbe, tűzbe, vagy vízbe. A hibás, vagy használhatatlan Li-ion akkumulátorokat a 2006/66/EK irányelvnek megfelelően külön kell gyűjteni, újrahasznosítani, vagy a környezetvédelmi szempontok betartásával ártalmatlanítani.

13. 2 év garancia

Tisztelt Ügyfelünk!

Köszönjük, hogy cégünk termékét választotta.

Az Aesculap név évtizedek óta egyet jelent az ellenőrzött minőséggel és az első osztályú szervizzel. Innovatív és nagy teljesítményű eszközöket kínálunk az ügyfeleinknek. Az Aesculap csúcsmínőségű készülékeket és eszközöket gyárt, a gyártásukhoz értékes anyagokat használ és a gyártás során is alapos gondot fordít. Készséggel hívjuk fel arra a figyelmüket, hogy nem tartozunk felelősséggel a termékeinkkel kapcsolatos meghibásodásért, ha azokat az adott eszköz szakszerűtlen használata, a normál kopás okozza, vagy úgy keletkeztek, hogy az adott terméket nem rendeltetésszerűen használták, ahhoz hozzá nem illő, vagy nem kifogástalanul működő idegen eszközöket, tartozékokat illesztettek.

Az akkumulátor és a vágófej tipikusan olyan kopó alkatrész, amelyért nem vállalunk felelősséget. Ugyancsak kivételt jelent a készülék értékét, vagy funkcióját csak csekély mértékben csökkentő anyaghiba.

A garanciális kötelezettségeink teljesítése keretén belül fenntartjuk a jogot a készülék javítására, vagy cseréjére.

Aesculap®

Akumulatorski strižni aparat za velike živali Bonum

Pregled

Pol.	Št. izdelka	Poimenovanje
1	GT647801	1 Montirano ohišje strižne glave
2	GT502	1 Spodnja rezalna ploščica
3	GT501	1 Zgornja rezalna ploščica (za govedo)
	GT505	1 Zgornja rezalna ploščica (za konje)
4	GT610010	1 Vpenjalni vijak
5	GT367201	1 Vibrator
6	GT367202	2 Vodilni zatič
7	TA008295	6 List vibracijske vzmeti
8	GT610307	1 Vzmetni mostiček
9	GT367207	2 Vijak za fiksiranje
10	GT640225	1 Vijak za reguliranje
11	GT610405	2 Narebrena matica
12	GT640220	1 Gred z zobnikom
13	GT610304	1 Vibracijska ploščica
14	TA010017	2 Vijak, križni, M4 x 16
15	TA005091	2 Vijak
16	GT367803	1 Distančnik, desni
17	GT367802	1 Distančnik, levi
18	GT367804	1 Montiran vibrator
19	GT146	1 Pripomoček za natančno nastavljanje Torqui
20	GT800249	1 Tipka za vklop/izklop (z LED-lučko)
21	GT641 (3INR19/66-1)	1 Litij-ionski akumulator
22	GT643 (LC40)	1 Polnilnik
a	-	1 Mazalno mesto akumulatorskega strižnega aparata
b	-	1 Nihajna krogla
c	-	1 Puša tlačnega ležaja
d	-	1 Vzmetni obroček
e	-	1 Pokrov ohišja
f	-	1 Tlačna palica
g	-	1 Vzmet z ušesom

Pol.	Št. izdelka	Poimenovanje
-	GT604	1 Posebno olje za strižno glavo in rezalne ploščice
	GT605	1 Olje za gonila (tuba)

Simboli na izdelku



Pozor, splošni opozorilni znak
Pozor, upoštevajte priložene dokumente



Označitev električnih in elektronskih naprav v skladu s smernico 2012/19/EU (WEEE), glejte Odlaganje med odpadke

Kazalo

1.	Varna uporaba	147
2.	Opis naprave	147
2.1	Vsebina kompleta	147
2.2	Komponente, potrebne za delovanje	147
2.3	Namen uporabe	147
2.4	Princip delovanja	148
3.	Priprava	148
4.	Delo z akumulatorskim strižnim aparatom, polnilnikom in litij-ionskim akumulatorjem	148
4.1	Razpoložljivost	148
4.2	Preverjanje delovanja	148
4.3	Priključitev polnilnika/polnjenje litij-ionskega akumulatorja ..	149
4.4	Zamenjava litij-ionskega akumulatorja	150
4.5	Ravnanje s strižno glavo	150
4.6	Hranjenje	152
5.	Rezalni ploščici	152
5.1	Rezalne ploščice za strižno glavo GT647 (različica za govedo)/GT657 (različica za konje)	152
5.2	Priporočene kombinacije	152
6.	Priprava	153
6.1	Čiščenje/razkuževanje	153
6.2	Kontrola in preverjanje	154
7.	Vzdrževanje	154
8.	Prepoznavanje in odpravljanje napak	154
8.1	Akumulatorski strižni aparat Bonum	154
8.2	Polnilnik in litij-ionski akumulator	154
9.	Tehnični servis	155

10.	Pribor/nadomestni deli	156
11.	Tehnični podatki	157
11.1	Akumulatorski strižni aparat Bonum	157
11.2	Polnilnik GT643 (LC40)	157
11.3	Litij-ionski akumulator GT621 (3INR19/66-1)	157
11.4	Izjava o skladnosti	157
12.	Odlaganje med odpadke	157
12.1	Samo za države EU	157
12.2	Litij-ionski akumulator	157
13.	2 leti garancije	157

1. Varna uporaba



NEVARNOST

Smrtna nevarnost zaradi električnega udara!

- ▶ Ne odpirajte izdelka.
- ▶ Izdelek priključite samo na električno omrežje z zaščitnim vodnikom.

- ▶ Pred uporabo izdelka preverite, če deluje in je v ustreznem stanju.
- ▶ Polnilnik in liti-ionske akumulatorje hranite pri sobni temperaturi.
- ▶ Polnilnik in litij-ionski akumulator morata ostati suha.
- ▶ Pred prvo uporabo napolnite litij-ionski akumulator.
- ▶ Da ne pride do poškodb zaradi neustreznega sestavljanja ali uporabe in da se ohranita garancija in jamstvo:
 - Izdelek uporabljajte samo v skladu s temi navodili za uporabo.
 - Upoštevajte varnostne informacije in napotke za vzdrževanje.
 - Med seboj kombinirajte samo izdelke Aesculap.
- ▶ Navodila za uporabo naj bodo dostopna uporabniku.
- ▶ Upoštevajte veljavne standarde.
- ▶ Prepričajte se, da električna napeljava v prostoru ustreza zahtevam IEC.
- ▶ Napravo od električnega omrežja odklopite tako, da potegnete za vtič naprave, nikoli za kabel.
- ▶ Izdelka ne smete uporabljati v potencialno eksplozivnih okoljih.
- ▶ Ne uporabljajte poškodovanega ali okvarjenega izdelka. Poškodovan izdelek takoj izločite.

2. Opis naprave

2.1 Vsebina kompleta

Št. izdelka	Oznaka
GT640-BL	Strižni aparat za velike živali Bonum (za govedo), moder
GT640-RO	Strižni aparat za velike živali Bonum (za konje), rožnat
GT641 (3INR19/66-1)	Litij-ionski akumulator
GT643 (LC40)	Polnilnik z električnim priključnim kablom (z vtičem naprave)
TA015304	Navodila za uporabo
TA009222	Izvičaj
GT604	Steklenička z oljem

2.2 Komponente, potrebne za delovanje

- Akumulatorski strižni aparat Bonum
- Polnilnik
- Električni priključni kabel (z vtičem)
- Litij-ionski akumulator

2.3 Namen uporabe

Akumulatorski strižni aparat Bonum

Akumulatorski strižni aparat Bonum se uporablja za striženje velikih živali, kot so govedo, konji in veliki psi.

Polnilnik GT643 (LC40)/litij-ionski akumulator GT641 (3INR19/66-1)

Polnilnik GT643 (LC40) se uporablja za polnjenje litij-ionskega akumulatorja GT641 (3INR19/66-1).

Aesculap®

Akumulatorski strižni aparat za velike živali Bonum

2.4 Princip delovanja

Akumulatorski strižni aparat Bonum

Akumulatorski strižni aparat Bonum vklopite s tipko za vklop/izklop **20**.

Napotek

Da preprečite neželeni vklop/izklop aparata, se tipka za vklop/izklop šele, ko jo držite pritisnjeno več kot 0,5 sekunde.

Polnilnik GT643 (LC40)/litij-ionski akumulator GT641 (31NR19/66-1)

Polnilnik GT643 (LC40) je zasnovan za razpon električne napetosti od 220 V do 240 V in od 50 Hz do 60 Hz.

Da je aparat pripravljen na uporabo, priključite električni vtič polnilnika GT643 (LC40) na električno omrežje.

Polnilnik GT643 (LC40) ima polnilno režo.

Ko litij-ionski akumulator vtaknete v polnilno postajo, se ta začne samodejno polniti.

Čas polnjenja je odvisen od stanja napoljenosti in kapacitete litij-ionskega akumulatorja.

Princip polnjenja

Litij-ionski akumulatorji se polnijo s konstantnimi električnimi impulzi.

Med polnjenjem se nadzoruje stanje napoljenosti litij-ionskega akumulatorja. Z nadzorovanjem polnilne krivulje se zagotovi 100 % napoljenost brez prekomerne napoljenosti.

Nadzorujeta se tudi temperatura akumulatorja in čas polnjenja.

Prikaz stanja napoljenosti **f** litij-ionskega akumulatorja ima 5 LED-diod. Vsaka LED-dioda pomeni 20 % kapacitete. Če se akumulator polni, utripa LED-dioda zadevnega stanja napoljenosti. Če neprekinjeno svetijo vse LED-diode, je akumulator povsem napolnjen.

Čas polnjenja

Ko je dosežen maksimalni čas polnjenja, se postopek polnjenja prekine. Čas polnjenja znaša približno 53 minut.

3. Priprava

Če ne upoštevate naslednjih predpisov, podjetje Aesculap ne prevzame nobene odgovornosti.

- ▶ Pri postavljanju in uporabi izdelka upoštevajte:
 - državne predpise za inštalacijo in lastnikove predpise za inštalacijo,
 - državne predpise za zaščito pred požari in eksplozijami,
 - napotke za uporabo v skladu z določili IEC/VDE.

4. Delo z akumulatorskim strižnim aparatom, polnilnikom in litij-ionskim akumulatorjem

4.1 Razpoložljivost

Namestitev pribora

Kombinacije pribora, ki niso omenjene v navodilih za uporabo, je dovoljeno uporabiti le, če so namenjene izrecno za predvideno uporabo. Na zmogljivostne lastnosti in varnostne zahteve ni dovoljeno negativno vplivati.

4.2 Preverjanje delovanja

Akumulatorski strižni aparat Bonum

- ▶ Izvedite vizualni pregled.
- ▶ Litij-ionski akumulator **21** potisnite v režo v aparatu, da se zaskoči.
- ▶ Prikaz delovanja **d** prikazuje stanje napoljenosti.

Napotek

Da se prepreči, da bi se litij-ionski akumulator izpraznil, ko aparat ni v uporabi, se elektronska povezava litij-ionskega akumulatorja akumulatorskega strižnega aparata po 1 uri prekine.

- ▶ Ponovno aktiviranje litij-ionskega akumulatorja **38**: pritisnite tipko **g**, glejte Sl. E.
- Zasvetijo vse LED-diode prikaza stanja napoljenosti **f**.

Polnilnik/litij-ionski akumulator

- ▶ Izvedite vizualni pregled.
- ▶ Preden izdelek priklopite na električno omrežje:
 - Preverite, če je električni priključni kabel morda poškodovan.
 - Preverite, če je izdelek morda poškodovan (npr. preverite kontakte polnilne reže, če so upognjeni).
- ▶ Električni vtič vtaknite v vtičnico električnega omrežja.
- ▶ Litij-ionski akumulator 21 postavite v polnilno režo polnilnika in ga napolnite, glejte Sl. F.

4.3 Priklučitev polnilnika/polnjenje litij-ionskega akumulatorja



OPOZORI-
LO

Nevarnost požara pri kratkem stiku polov zaradi tekočin ali kovinskih delov!

- ▶ Ne delajte kratkega stika na litij-ionskem akumulatorju.



OPOZORI-
LO

Nevarnost telesnih poškodb zaradi poškodovanega električnega priključnega kabla!

- ▶ Preden začnete s polnjenjem, preverite, če je električni priključni kabel poškodovan.
- ▶ Poškodovane električne priključne kable mora zamenjati proizvajalec.



OPOZORI-
LO

Nevarnost telesnih poškodb in materialna škoda zaradi poškodovanega litij-ionskega akumulatorja!

- ▶ Preden začnete s polnjenjem, preverite, če je litij-ionski akumulator poškodovan.
- ▶ Poškodovanega litij-ionskega akumulatorja ne uporabljajte ali polnite.



PREVIDNO

Izguba kapacitete/zmogljivosti izpraznjenega litij-ionskega akumulatorja zaradi daljšega hranjenja!

- ▶ Za dalj časa shranite samo povsem napolnjen litij-ionski akumulator in ga enkrat mesečno napolnite.



PREVIDNO

Uničenje izdelka, polnilne reže ali litij-ionskega akumulatorja zaradi vstavitve napačnega tipa akumulatorja v polnilno režo!

- ▶ Litij-ionski akumulator vstavite samo v predvideno polnilno režo.

Napotek

Pred zagonom se prepričajte, da se električna napetost in omrežna frekvenca, navedeni na tipski ploščici, ujemata s podatki električnega omrežja. Ko priključite polnilnik, priporočamo, da uporabite vsaj inštalacijski odklopnik tipa F s sprožilnim tokom največ 30 mA.

Napotek

Ta polnilnik lahko uporabljajo otroci, stari 8 let in več, ter osebe z zmanjšanimi fizičnimi, senzoričnimi ali duševnimi sposobnostmi ali s pomanjkanjem izkušenj in znanja, če so pod nadzorom ali če so bile poučene o varni uporabi naprave in razumejo nevarnosti, ki lahko izhajajo iz tega.

- ▶ Ne pustite otrokom, da bi se igrali z napravo.
- ▶ Otroci ne smejo čistiti in vzdrževati polnilnik, če pri tem niso pod nadzorom.

Aesculap®

Akumulatorski strižni aparat za velike živali Bonum

Napotek

Litij-ionski akumulator se med postopkom polnjenja rahlo segreje.

Napotek

Ko polnilnika ne uporabljate, izvalcite električni priključni kabel iz vtičnice.

- ▶ Za polnjenje litij-ionskih akumulatorjev uporabljajte samo polnilnik GT643 (LC40) podjetja Aesculap.
- ▶ Priključite vtič polnilnika **22**.
LED-lučka prikaza delovanja d in LED-lučka opozorilnega prikaza e ena za drugo zasvetita za približno 1 sekundo, glejte Sl. F.
- ▶ Litij-ionski akumulator **21** potisnite do naslona v polnilno režo polnilnika **22**, glejte Sl. F.
LED-lučka prikaza delovanja d utripa in litij-ionski akumulator **21** se polni.
Ko začne LED-lučka prikaza delovanja d svetiti neprekinjeno, je litij-ionski akumulator povsem poln.

4.4 Zamenjava litij-ionskega akumulatorja

- ▶ Akumulatorski strižni aparat **g** držite s strižno glavo navzdol, da litij-ionski akumulator **21** ne pade dol, ko ga sprostite, glejte Sl. 1.
- ▶ S palcem sprostite zapah akumulatorja **f**.



Sl. 1

- ▶ Izvalcite litij-ionski akumulator **21**, ga napolnite in/ali napolnjen nadomestni litij-ionski akumulator GT641 (31NR19/66-1) vstavite v akumulatorski strižni aparat **g**, glejte Sl. 2.



Sl. 2

4.5 Ravnanje s strižno glavo

Oljenje strižne glave



PREVIDNO

Poškodovanje strižnega aparata ali strižne glave zaradi nepravilnega oljenja!

- ▶ Strižno glavo oljite samo, ko aparat deluje.
- ▶ Aparata in strižne glave ne potaplajte v tekočine.
- ▶ Uporabljajte samo lahko mazalno olje GT604.

- ▶ Pred striženjem vsake živali dovolj naoljite strižno glavo na mazalnem mestu **a**, glejte Sl. A.
- ▶ Liste vzmeti **7** dva- do trikrat dnevno naoljite s 3-4 kapljicami olja, glejte Sl. C.

Mazanje zobnika



Poškodovanje strižnega aparata ali zobnika zaradi nepravilnega mazanja!

- ▶ Uporabljajte samo olje za gonila GT605.
- ▶ Zobnik namažite enkrat do dvakrat na striženje.

- ▶ Odpahnite in odstranite litij-ionski akumulator 21.
- ▶ Odvijte oba vijaka 14, glejte Sl. B.
- ▶ Ko gledate strižno glavo, jo obrnite za približno 15° v levo in snemite z ohišja motorja.
- ▶ Na nasprotni mesti zobnika 12 nanesite približno 1 cm masti, glejte Sl. C.
- ▶ Strižno glavo previdno nataknete na motor. Pri tem se prepričajte, da strižno glavo nataknete tako, da je za 15° obrnjena, in da se spodnja izboklina prilega v utor na ohišju motorja.

Zamenjava rezalnih ploščic

- ▶ Odpahnite in odstranite litij-ionski akumulator 21.
- ▶ Odvijte narebreno matico 11 in vijak za reguliranje 10 odvijte za približno 2 obrata, glejte Sl. A.
- ▶ Odvijte oba vpenjalna vijaka 4, potegnite spodnjo rezalno ploščico 2 naprej in jo snemite ter odstranite zgornjo rezalno ploščico 3, glejte Sl. A in Sl. E.
- ▶ Preden vstavite zgornjo rezalno ploščico 3, se prepričajte, da je vibracijska ploščica 13 v predvideni odprtini vibratorja 5, glejte Sl. E.
- ▶ Vstavite zgornjo rezalno ploščico 3. Pri tem se prepričajte, da sta obe konici b vibratorja 5 točno v izvrtinah c v zgornji rezalni ploščici 3, glejte Sl. D.
- ▶ Spodnjo rezalno ploščico 2 potisnite pod glavami vpenjalnih vijakov 4 do naslona ob ohišje strižne glave in zategnite oba vpenjalna vijaka 4.
- ▶ Privijajte vijak za reguliranje 10, dokler obe rezalni ploščici ne pritisneta narahlo ena na drugo, glejte Sl. A.

Čiščenje strižne glave

- ▶ Strižno glavo očistite vsaj po nekaj dneh striženja ali, ko je umazana.
- ▶ Odpahnite in odstranite litij-ionski akumulator 38.
- ▶ Odvijte oba vijaka 6, glejte Sl. B.
- ▶ Ko gledate strižno glavo, jo obrnite za približno 15° v levo in snemite z ohišja motorja.
- ▶ Snemite rezalni ploščici, glejte Zamenjava rezalnih ploščic.
- ▶ S ščetko ali čopičem temeljito očistite notranjost in posamezne dele strižne glave.
- ▶ Vstavite in zategnite rezalni ploščici, glejte Zamenjava rezalnih ploščic.
- ▶ Namažite zobnik, glejte Mazanje zobnika.
- ▶ Strižno glavo previdno nataknete na motor. Pri tem se prepričajte, da strižno glavo nataknete tako, da je za 15° obrnjena, in da se spodnja izboklina prilega v utor na ohišju motorja.
- ▶ Naoljite strižno glavo, glejte Oljenje strižne glave.

Nastavljanje pritiska ploščic s pripomočkom za natančno nastavljanje GT146

Napotek

Proizvajalec priporoča, da uporabite pripomoček za natančno nastavljanje GT146, da optimalno nastavite pritisk ploščic.

- ▶ Pripomoček za natančno nastavljanje GT146 19 vstavite v 2 luknji vijaka za reguliranje 10.

Napotek

Narebrene vijake starejših strižnih glav, ki nimajo 2 lukenj, lahko zamenjate z vijakom za reguliranje GT147.

Aesculap®

Akumulatorski strižni aparat za velike živali Bonum

Nastavljanje pritiska ploščic

Napotek

Pritisk ploščic morate nastaviti, ko aparat deluje in brez pomožnih orodij.

Napotek

Premočan pritisk ploščic povzroči močno segrevanje in večjo obrabo rezalnih ploščic.

- ▶ Previdno odvijajte narebreno matico **11** in vijak za reguliranje **10**, dokler zgornja rezalna ploščica **3** ne pritiska več na spodnjo rezalno ploščico **2** (zvonek zvok pri delovanju), glejte Sl. A.
- ▶ Privijajte vijak za reguliranje **10**, dokler ne začutite rahlega upora. Zatem še privijte za približno en obrat in nato zategnite narebreno matico **11**.

Čiščenje strižne glave

- ▶ Strižno glavo očistite vsaj po nekaj dneh striženja ali, ko je umazana.
- ▶ Odpahnite in odstranite litij-ionski akumulator **21**.
- ▶ Odvijte oba vijaka **14**, glejte Sl. B.
- ▶ Ko gledate strižno glavo, jo obrnite za približno 15° v levo in snemite z ohišja motorja.
- ▶ Snemite rezalni ploščici, glejte razdelek Zamenjava rezalnih ploščic.
- ▶ S ščetko ali čopičem temeljito očistite notranjost in posamezne dele strižne glave.
- ▶ Vstavite rezalni ploščici in ju zategnite, glejte razdelek Zamenjava rezalnih ploščic.
- ▶ Namažite zobnik, glejte razdelek Mazanje zobnika.
- ▶ Strižno glavo previdno nataknete na motor. Pri tem se prepričajte, da strižno glavo nataknete tako, da je za 15° obrnjena, in da se spodnja izboklina prilega v utor na ohišju motorja.
- ▶ Oljenje strižne glave glejte Oljenje strižne glave

Brušenje rezalnih ploščic

- ▶ Za brušenje rezalnih ploščic se obrnite na tehnični servis, glejte Tehnični servis.

4.6 Hranjenje

- ▶ Dobro očistite strižni aparat in rezalni ploščici, preden jih shranite, glejte Priprava.
- ▶ Strižni aparat shranite v suhem, temnem in čistem prostoru.

5. Rezalni ploščici

5.1 Rezalne ploščice za strižno glavo GT647 (različica za govedo)/GT657 (različica za konje)

Št. izdelka	Oznaka
GT501	Zgornja rezalna ploščica s 15 zobci
GT502	Spodnja rezalna ploščica z 31 zobci, višina reza 3 mm
GT503	Zgornja rezalna ploščica s 17 zobci
GT504	Spodnja rezalna ploščica z 18 zobci, višina reza 3 mm
GT505	Zgornja rezalna ploščica s 23 zobci
GT506	Spodnja rezalna ploščica z 23 zobci, višina reza 3 mm
GT508	Spodnja rezalna ploščica z 51 zobci, višina reza 1 mm
GT510	Kot GT506, vendar z višino reza 5 mm
GT511	Kot GT502, vendar z višino reza 1 mm

5.2 Priporočene kombinacije

Kombinacija	Zgornja/spodnja ploščica	Primerno za
Gosti zobci	GT501/GT502	Govedo in konji (običajna oprema)
	GT501/GT511	Industrijsko striženje
	GT505/GT502	Konji in govedo – gladko običajno striženje
	GT505/GT508	Konji, govedo (striženje vimen) in industrijsko striženje
Srednje gosti zobci	GT505/GT511	Konji in govedo – za zelo fino, gladko striženje
	GT505/GT506	Govedo, psi in koze
Redki zobci	GT505/GT510	Psi in koze
	GT503/GT504	Govedo, ovce in ovce s fino volno

6. Priprava

6.1 Čiščenje/razkuževanje



Nevarnost električnega udara in požara!

- ▶ **Pred čiščenjem:**
 - Izvlecite električni vtič polnilnika.
 - Sprostite litij-ionski akumulator in ga vzemite iz akumulatorskega strižnega aparata.
- ▶ **Ne uporabljajte gorljivih ter eksplozivnih čistil in razkužil.**
- ▶ **Pazite, da v izdelek ne vdre voda.**



Poškodovanje ali uničenje izdelka zaradi strojnega čiščenja/razkuževanja!

- ▶ **Izdelek čistite/razkužujte samo ročno.**
- ▶ **Nikoli ne sterilizirajte izdelka.**



Poškodbe na izdelku zaradi neprimernih čistil/razkužil!

- ▶ **Uporabljajte čistila/razkužila, ki so odobrena za čiščenje površin, po navodilu proizvajalca.**
- ▶ **Izdelka nikoli ne polagajte v vodo ali čistilo.**
- ▶ **Ne vnašajte tekočine v polnilne reže.**
- ▶ **Kontakte v polnilni reži čistite zelo pazljivo.**

- ▶ Ohišje izdelka obrišite s krpo, ki ne pušča vlaken in je namočena v običajno sredstvo za razkuževanje.
- ▶ Ostanke čistila in razkužila, potem ko reagirata, po potrebi pobrišite s krpo, ki ne pušča vlaken in je namočena v čisto vodo.
- ▶ Za brisanje uporabljajte čisto krpo, ki ne pušča vlaken.
- ▶ Kontakte v polnilnih režah očistite z izopropanolom oz. etilnim alkoholom in vatirano palčko. Ne uporabljajte kemikalij, ki lahko povzročijo korozijo.
- ▶ Po potrebi ponovite čiščenje/razkuževanje.

Aesculap®

Akumulatorski strižni aparat za velike živali Bonum

6.2 Kontrola in preverjanje

- ▶ Počakajte, da se izdelek ohladi na sobno temperaturo.
- ▶ Izdelek po vsakem čiščenju in razkuževanju pregledajte glede: čistoče, delovanja in poškodovanosti.
- ▶ Preverite, če je izdelek poškodovan, če med delovanjem oddaja neena-komerne zvoke, če se preveč segreva ali premočno vibrira.
- ▶ Preverite, če so na strižni glavi odlomljena, poškodovana ali topa rezila.
- ▶ Poškodovan izdelek takoj izločite.

7. Vzdrževanje

Za zanesljivo delovanje podjetje Aesculap priporoča vzdrževanje **vsaj enkrat na leto**.

8. Prepoznavanje in odpravljanje napak

8.1 Akumulatorski strižni aparat Bonum

Motnja	Vzrok	Odprava motnje
Akumulatorski strižno stroj se ne zažene	Litij-ionski akumulator ni napolnjen	Napolnite litij-ionski akumulator
	Litij-ionski akumulator je okvarjen	Vstavite nov litij-ionski akumulator
	Litij-ionski akumulator ni vstavljen	Vstavite litij-ionski akumulator
Akumulatorski strižni aparat se med uporabo ustavi	Zaščitno vezje je izklopilo litij-ionski akumulator	Izklopite in vklopite akumulatorski strižni aparat
	Litij-ionski akumulator je prazen	Vstavite nov litij-ionski akumulator

8.2 Polnilnik in litij-ionski akumulator

Motnja	Prepoznavna	Vzrok	Odprava motnje
Polnilnik ne deluje	LED-prikaz "Akumulator" ne sveti	Električni priključni kabel ni priključen	Električni priključni kabel vtaknite v vtičnico električnega omrežja.
		Litij-ionski akumulator ni napolnjen	Proizvajalec naj popravi polnilnik, glejte razdelek Tehnični servis.
	Litij-ionski akumulator je okvarjen	Proizvajalec naj popravi litij-ionski akumulator, glejte Tehnični servis	

Motnja	Prepoznavna	Vzrok	Odprava motnje
Litij-ionski akumulator se ne polni	Litij-ionski akumulator je vstavljen, prikaz stanja napolnjenosti ne sveti	Kontakti polnilnika so umazani	Očistite kontakte v polnilni reži, glejte Priprava
	-	Kontakti polnilnika so poškodovani	Proizvajalec naj popravi polnilnik, glejte Tehnični servis
	-	Litij-ionski akumulator je okvarjen	Proizvajalec naj popravi litij-ionski akumulator, glejte Tehnični servis
	-	Polnilnik je okvarjen	Proizvajalec naj popravi polnilnik, glejte Tehnični servis
	-	Med postopkom polnjenja je v litij-ionskem akumulatorju izmerjena previsoka temperatura	Vzemite litij-ionski akumulator iz polnilne reže, počakajte, da se ohladi, in ponovite postopek polnjenja Če ponovno pride do motnje: proizvajalec naj popravi litij-ionski akumulator, glejte Tehnični servis
	-	Motnja pri polnjenju oz. litij-ionski akumulator je okvarjen	Vzemite litij-ionski akumulator iz polnilne reže in ponovite postopek polnjenja Če ponovno pride do motnje: proizvajalec naj popravi litij-ionski akumulator, glejte Tehnični servis

9. Tehnični servis



Nevarnost telesnih poškodb in/ali nepravilno delovanje!

► Ne spreminjajte izdelka.

Spremembe na tej tehnični opremi lahko vodijo do izgube pravic do garancije/jamstva ter morebitnih dovoljenj.

Naslovi servisov

Albert Kerbl GmbH

Felizenzell 9

84428 Buchbach / Germany

Phone: +49 (0) 8086 933-100

Fax: +49 (0) 8086 933-500

E-Mail: info@kerbl.com

www.kerbl.com

Več naslovov servisov dobite na zgoraj navedenem naslovu.

10. Pribor/nadomestni deli

Št. izdelka	Oznaka	Izvedba	Litij-ionski akumulator	Celotna polnilna postaja	Pribor
GT644-BL	Bonum različica za govedo/komplet z 1 akumulatorjem, moder	Evropa, razen Velike Britanije	GT641 (3INR19/66-1)	GT643 (LC40)	GT604 Posebno olje za rezalne ploščice in strižno glavo
GT646-BL	Bonum različica za govedo/komplet z 2 akumulatorjema, moder				
GT654-RO	Bonum različica za konje/komplet z 1 akumulatorjem, rožnat				
GT656-RO	Bonum različica za konje/komplet z 2 akumulatorjema, rožnat				
GT654-BL	Bonum različica za konje/komplet z 1 akumulatorjem, moder				
GT656-BL	Bonum različica za konje/komplet z 2 akumulatorjema, moder				
GT644G-BL	Bonum različica za govedo/komplet z 1 akumulatorjem, moder	Velika Britanija		GT643G (LC40)	GT605 Olje za gonila (tuba)
GT646G-BL	Bonum različica za govedo/komplet z 2 akumulatorjema, moder				
GT654G-RO	Bonum različica za konje/komplet z 1 akumulatorjem, rožnat				
GT656G-RO	Bonum različica za konje/komplet z 2 akumulatorjema, rožnat				
GT654G-BL	Bonum različica za konje/komplet z 1 akumulatorjem, moder				
GT656G-BL	Bonum različica za konje/komplet z 2 akumulatorjema, moder				
GT644K-BL	Bonum različica za govedo/komplet z 1 akumulatorjem, moder	ZDA		GT643K (LC40)	
GT646K-BL	Bonum različica za govedo/komplet z 2 akumulatorjema, moder				
GT654K-RO	Bonum različica za konje/komplet z 1 akumulatorjem, rožnat				
GT656K-RO	Bonum različica za konje/komplet z 2 akumulatorjema, rožnat				
GT654K-BL	Bonum različica za konje/komplet z 1 akumulatorjem, moder				
GT656K-BL	Bonum različica za konje/komplet z 2 akumulatorjema, moder				
GT644A-BL	Bonum različica za govedo/komplet z 1 akumulatorjem, moder	Avstralija		GT643A (LC40)	
GT646A-BL	Bonum različica za govedo/komplet z 2 akumulatorjema, moder				
GT654A-RO	Bonum različica za konje/komplet z 1 akumulatorjem, rožnat				
GT656A-RO	Bonum različica za konje/komplet z 2 akumulatorjema, rožnat				
GT654A-BL	Bonum različica za konje/komplet z 1 akumulatorjem, moder				
GT656A-BL	Bonum različica za konje/komplet z 2 akumulatorjema, moder				

11. Tehnični podatki

11.1 Akumulatorski strižni aparat Bonum

Število hodov	maks. 2 500 1/min
Čas delovanja z enim litij-ionskim akumulatorjem	prib. 70 min do 80 min
Nominalna napetost	maks. 10,8 V
Kapaciteta	maks. 2 A
Teža (s strižno glavo in akumulatorjem)	950 g

11.2 Polnilnik GT643 (LC40)

Razpon električne napetosti (poraba toka)	220 V do 240 V
Frekvenca	50 Hz do 60 Hz
Polnilna/izhodna napetost	maks. 10,8 V
Polnilni/izhodni tok	maks. 2,3 A
Teža (s kablom in napajalnikom)	360 g

11.3 Litij-ionski akumulator GT621 (3INR19/66-1)

Tip celic	Li
Nominalna napetost	10,8 V
Kapaciteta	2 Ah
Čas polnjenja	prib. 53 min
Teža	190 g
Oznake	TÜV-Süd, TÜV NRTL (US-C), CE

11.4 Izjava o skladnosti



S polno odgovornostjo izjavljamo, da je ta izdelek skladen z naslednjimi standardi ali normativnimi dokumenti:

Smernica o EMZ 2004/108/ES:

DIN EN 60335-1

DIN EN 60335-2-8

Varnost električnih naprav za gospodinjsko rabo in podobne namene

- splošne zahteve
- za aparate za striženje las

Aesculap Suhl GmbH

12. Odlaganje med odpadke

Električna orodja, pribor in embalažo je treba predati v okolju prijazno recikliranje.

12.1 Samo za države EU



Električnih orodij ne mečite med gospodinjske odpadke! V skladu z evropsko smernico 2012/19/EU o odpadnih električnih in elektronskih napravah in njeno pretvorbo v državno pravo je treba uporabna električna orodja zbirati ločeno in jih predati v okolju prijazno recikliranje.

12.2 Litij-ionski akumulator

Litij-ionskih akumulatorjev ne mečite med gospodinjske odpadke, v ogenj ali v vodo. Okvarjene ali izrabljene litij-ionske akumulatorje je treba zbirati, reciklirati ali zavreči na okolju prijazen način v skladu s smernico 2006/66/ES.

13. 2 leti garancije

Spoštovani kupec,

zahvaljujemo se vam za nakup izdelka našega podjetja.

Ime Aesculap je že desetletja sinonim za preverjeno kakovost in prvovrsten servis. Našim strankam nudimo inovativne in zmogljive izdelke. Aesculap je sinonim za zelo kakovostne naprave in zagotavlja uporabo zelo kakovostnih materialov in skrbno proizvodnjo. Želimo vas opozoriti, da ne jamčimo za materialno škodo na naših izdelkih, če ta nastane zaradi neustrezne uporabe, običajne obrabe ali zaradi tega, da se izdelek ne uporablja namensko ali če se uporabljajo neustrezni ali ne brezhibno delujoči izdelki drugih podjetij.

Dela, ki sta običajno podvržena obrabi, sta akumulator in strižna glava. Izvzeta je prav tako materialna škoda, ki le malo ali sploh ne vpliva na vrednost ali delovanje.

Če moramo v okviru naše garancije nuditi jamstvo, si pridružujemo pravico do popravila ali zamenjave izdelka.

Baterijski aparat za šišanje velikih životinja Bonum

Pregled

Poz.	Broj artikla	Naziv
1	GT647801	1 Kućište rezne glave, montirano
2	GT502	1 Donja rezna ploča
3	GT501	1 Gornja rezna ploča (za goveda)
	GT505	1 Gornja rezna ploča (za konje)
4	GT610010	1 Stezni vijak
5	GT367201	1 Oscilator
6	GT367202	2 Vodeći zatic
7	TA008295	6 Oscilirajuća lisnata opruga
8	GT610307	1 Opružni nosač
9	GT367207	2 Vijak za fiksiranje
10	GT640225	1 Regulacijski vijak
11	GT610405	2 Narovašena matica
12	GT640220	1 Vratilo sa zupčanicom
13	GT610304	1 Oscilirajući blok
14	TA010017	2 Vijak, križni utor, M4 x 16
15	TA005091	2 Vijak
16	GT367803	1 Odstojni element, desno
17	GT367802	1 Odstojni element, lijevo
18	GT367804	1 Oscilator, montiran
19	GT146	1 Pomagaloz za precizno namještanje Torqui
20	GT800249	1 Gumb za uključivanje/isključivanje (sa svjetlećom diodom)
21	GT641 (3INR19/66-1)	1 Litij-ionska baterija
22	GT643 (LC40)	1 Punjač
a	-	1 Mjesto za podmazivanje baterijskog aparata za šišanje
b	-	1 Klizač
c	-	1 Čahura potisnog ležaja
d	-	1 Opružni prsten
e	-	1 Poklopac kućišta
f	-	1 Potisna šipka
g	-	1 Opruga ušice
-	GT604	1 Posebno ulje za reznu glavu i rezne ploče
	GT605	1 Mast za prijenosnik (tuba)

Simboli na proizvodu



Pozor, znak općeg upozorenja
Pozor, obratite pozornost na popratne dokumente



Označavanje električnih i elektronskih uređaja u skladu s
Direktivom 2012/19/EU (OEE0), pogledajte Zbrinjavanje

Sadržaj

1.	Sigurno rukovanje.....	159
2.	Opis uređaja	159
2.1	Opseg isporuke	159
2.2	Komponente potrebne za rad	159
2.3	Svrha uporabe.....	159
2.4	Način rada.....	160
3.	Priprema	160
4.	Rad s baterijskim aparatom za šišanje, punjačem i litij-ionskom baterijom.....	160
4.1	Priprema	160
4.2	Funkcionalna provjera	160
4.3	Priključivanje punjača/punjenje litij-ionske baterije	161
4.4	Promjena litij-ionske baterije	162
4.5	Rukovanje reznom glavom.....	162
4.6	Skladištenje.....	164
5.	Rezne ploče.....	164
5.1	Rezne ploče koje odgovaraju uz reznu glavu GT647 verzija za goveda/GT657 verzija za konje	164
5.2	Preporučene kombinacije.....	164
6.	Obrada.....	165
6.1	Čišćenje/dezinfekcija	165
6.2	Kontrola i provjera	166
7.	Održavanje	166
8.	Prepoznavanje i uklanjanje pogrešaka	166
8.1	Baterijski aparat za šišanje Bonum.....	166
8.2	Punjač i litij-ionska baterija	166
9.	Tehnička služba.....	167
10.	Dodatna oprema/zamjenski dijelovi	168
11.	Tehnički podaci	169
11.1	Baterijski aparat za šišanje Bonum.....	169
11.2	Punjač GT643 (LC40)	169
11.3	Litij-ionska baterija GT621 (3INR19/66-1).....	169
11.4	Izjava o sukladnosti	169
12.	Zbrinjavanje	169

12.1	Samo za države članice EU-a.....	169
12.2	Litij-ionska baterija.....	169
13.	Dvogodišnje jamstvo.....	169

1. Sigurno rukovanje



Opasnost za život od električnog strujnog udara!

- ▶ Ne otvarajte proizvod.
- ▶ Priključite proizvod samo na opskrbnu mrežu sa zaštitnim vodom.

- ▶ Prije uporabe proizvoda provjerite njegovu funkcionalnost i ispravno stanje.
- ▶ Punjač i litij-ionske baterije čuvajte na sobnoj temperaturi.
- ▶ Punjač i litij-ionske baterije moraju biti suhi.
- ▶ Prije prve uporabe napunite litij-ionske baterije.
- ▶ Kako biste spriječili štete zbog nestručnog sastavljanja proizvoda ili rada i kako ne biste ugrozili jamstvo:
 - Koristite proizvod samo u skladu s ovim uputama za uporabu.
 - Poštujte sigurnosne informacije i napomene o održavanju.
 - Međusobno kombinirajte samo proizvode tvrtke Aesculap.
- ▶ Čuvajte upute za uporabu na mjestu dostupnom za korisnika.
- ▶ Poštujte važeće norme.
- ▶ Osigurajte da električna instalacija prostora odgovara zahtjevima IEC-a.
- ▶ Odsvojite mrežne spojeve tako da ih izvlačite na utikaču uređaja, a ne povlačenjem kabela.
- ▶ Ne koristite proizvod u eksplozivnim područjima.
- ▶ Ne koristite oštećen ili neispravan proizvod. Odmah izdvojite oštećen proizvod.

2. Opis uređaja

2.1 Opseg isporuke

Broj artikla	Naziv
GT640-BL	Bonum aparat za šišanje velikih životinja za goveda, plavi
GT640-RO	Bonum aparat za šišanje velikih životinja za konje, ružičasti
GT641 (31NR19/66-1)	Litij-ionska baterija
GT643 (LC40)	Punjač uklj. priključni mrežni vod (s utikačem uređaja)
TA015304	Upute za uporabu
TA009222	Odvijač
GT604	Boca za ulje

2.2 Komponente potrebne za rad

- Baterijski aparat za šišanje Bonum
- Punjač
- Priključni mrežni vod (s utikačem uređaja)
- Litij-ionska baterija

2.3 Svrha uporabe

Baterijski aparat za šišanje Bonum

Baterijski aparat za šišanje Bonum upotrebljava se za šišanje velikih životinja poput goveda, konja i velikih pasa.

Punjač GT643 (LC40)/litij-ionska baterija GT641 (31NR19/66-1)

Punjač GT643 (LC40) upotrebljava se za punjenje litij-ionske baterije GT641 (31NR19/66-1).

Aesculap®

Baterijski aparat za šišanje velikih životinja Bonum

2.4 Način rada

Baterijski aparat za šišanje Bonum

Baterijski aparat za šišanje Bonum uključuje se i isključuje gumbom za uključivanje i isključivanje **20**.

Napomena

Kako bi se spriječilo slučajno uključivanje ili isključivanje stroja, tipkalo reagira tek nakon što ga pritisćete duže od 0,5 s.

Punjač GT643 (LC40)/litij-ionska baterija GT641 (3INR19/66-1)

Punjač GT643 (LC40) konstruiran je za područje mrežnog napona od 220 V do 240 V i od 50 Hz do 60 Hz.

Kako bi se postigla spremnost za rad, punjač GT643 (LC40) priključuje se mrežnim utikačem na opskrbnu mrežu.

Punjač GT643 (LC40) raspolaže pretincem za punjenje.

Postupak punjenja automatski počinje uključivanjem litij-ionske baterije u stanicu za punjenje.

Vrijeme punjenja ovisi o stanju napunjenosti i kapacitetu litij-ionske baterije.

Način punjenja

Litij-ionske baterije pune se stalnim strujnim impulsima.

Stanje napunjenosti litij-ionske baterije nadzire se tijekom punjenja. Nadzorom krivulje punjenja osigurava se 100-postotno punjenje bez preopterećenja.

Dodatno se nadziru temperatura baterije i vrijeme punjenja.

Prikaz stanja napunjenosti **f** litij-ionske baterije ima 5 LED-ova. Svaki LED prikazuje kapacitet napunjenosti od 20 %. Prilikom punjenja baterije treperi LED dotičnog stanja napunjenosti. LED-ovi svijetle trajno ako je baterija potpuno napunjena.

Vrijeme punjenja

Kada se dosegne maksimalno vrijeme punjenja, prekida se postupak punjenja. Vrijeme punjenja iznosi približno 53 minute.

3. Priprema

Ako se ne pridržavate sljedećih propisa, tvrtka Aesculap ne preuzima nikakvu odgovornost.

- ▶ Prilikom instalacije i rada proizvoda poštujujte:
 - nacionalne propise za instalaciju i propise operatora,
 - nacionalne propise o zaštiti od požara i eksplozija,
 - napomene o uporabi u skladu s odredbama IEC-a i VDE-a.

4. Rad s baterijskim aparatom za šišanje, punjačem i litij-ionskom baterijom

4.1 Priprema

Priključak dodatne opreme

Kombinacije dodatne opreme koje nisu navedene u uputama za uporabu smiju se koristiti samo ako su namijenjene za predviđenu uporabu. Ne smiju se pogoršati radne značajke i sigurnosni zahtjevi.

4.2 Funkcionalna provjera

Baterijski aparat za šišanje Bonum

- ▶ Napravite vizualnu provjeru.
- ▶ Litij-ionsku bateriju **21** umetnite u pretinac aparata sve dok se ne uglati.
- ▶ Prikaz radnog stanja **d** prikazuje stanje napunjenosti.

Napomena

Kako bi se izbjeglo da se litij-ionska baterija isprazni ako se aparat ne koristi, električni spoj litij-ionske baterije odspaja se nakon sat vremena od upravljanja baterijskog aparata za šišanje.

- ▶ Ponovna aktivacija litij-ionske baterije **38**: pritisnite tipkalo **g**, pogledajte Sl. E.
- Svi LED-ovi prikaza stanja napunjenosti **f** svijetle.

Punjač/litij-ionska baterija

- ▶ Napravite vizualnu provjeru.
- ▶ Prije priključka proizvoda na opskrbnu mrežu:
 - provjerite moguća oštećenja priključnog mrežnog voda.
 - provjerite moguća oštećenja uređaja (npr. jesu li iskrivljeni kontakti pretinca za punjenje).
- ▶ utaknite mrežni utikač u utičnicu opskrbe mreže.
- ▶ Stavite litij-ionsku bateriju 21 u pretinac za punjenje punjača i napunite je, pogledajte Sl. F.



Uništenje proizvoda, pretinca za punjenje ili litij-ionske baterije zbog stavljanja pogrešnog tipa baterije u pretinac za punjenje!

- ▶ Litij-ionsku bateriju stavite samo u za to predviđeni pretinac za punjenje.

4.3 Priključivanje punjača/punjenje litij-ionske baterije



**UPO-
ZORENJE**

Opasnost od požara pri kratkom spoju polova uzrokovanog tekućinama ili metalnim dijelovima!

- ▶ Nije dopušteno kratko spajanje litij-ionske baterije.



**UPO-
ZORENJE**

Opasnost od ozljeda zbog oštećenog priključnog mrežnog voda!

- ▶ Prije punjenja provjerite moguća oštećenja priključnog mrežnog voda.
- ▶ Proizvođač mora zamijeniti oštećeni priključni mrežni vod.



**UPO-
ZORENJE**

Opasnost od ozljeda i materijalne štete zbog oštećene litij-ionske baterije!

- ▶ Prije punjenja provjerite moguća oštećenja litij-ionske baterije.
- ▶ Ne punite i ne koristite oštećene litij-ionske baterije.



OPREZ

Gubitak kapaciteta/radnih sposobnosti prazne litij-ionske baterije zbog dužeg skladištenja!

- ▶ U slučaju dužeg skladištenja, litij-ionsku bateriju skladištite samo potpuno napunjenu i jednom mjesečno ju napunite.

Napomena

Prije stavljanja u rad treba provjeriti podudaraju li se mrežni napon i mrežna frekvencija koji su navedeni na označnoj pločici s podacima električne mreže. Pri priključivanju punjača preporučuje se upotrebljavati barem zaštitnu strujnu sklopku tipa F s okidnom strujom od maks. 30 mA.

Napomena

Samo uz nadzor punjač mogu koristiti djeca starija od 8 godina, kao i osobe smanjenih fizičkih, osjetilnih ili mentalnih sposobnosti ili osobe koje nemaju dovoljno iskustva i znanja ili ako su upućene u sigurnu uporabu uređaja i ako razumiju opasnosti koje iz toga proizlaze.

- ▶ Djeca se ne smiju igrati uređajem.
- ▶ Uređaj ne smiju čistiti ili održavati djeca bez nadzora.

Aesculap®

Baterijski aparat za šišanje velikih životinja Bonum

Napomena

Tijekom punjenja se litij-ionska baterija brzo zagrijava.

Napomena

Ako ne radite s punjačem, morate odspojiti priključni mrežni vod s utičnice.

- ▶ Za punjenje litij-ionskih baterija upotrebljavajte samo punjač GT643 (LC40) tvrtke Aesculap.
- ▶ Utaknite mrežni utikač punjača 22.
- Svjetleća dioda prikaza radnog stanja d i svjetleća dioda prikaza upozorenja e zasvijetlit će jedna za drugom na približno 1 sekundu, pogledajte Sl. F.
- ▶ Litij-ionsku bateriju 21 utaknite do graničnika u pretinac za punjenje punjača 22, pogledajte Sl. F.
- Svjetleća dioda prikaza radnog stanja d treperi i litij-ionska baterija 21 se puni.
- Ako svjetleća dioda prikaza radnog stanja d stalno svijetli, litij-ionska baterija je potpuno napunjena.

4.4 Promjena litij-ionske baterije

- ▶ Baterijski aparat za šišanje g držite s reznom glavom prema dolje tako da litij-ionska baterija 21 ne ispadne prilikom otpuštanja, pogledajte Sl. 1.
- ▶ Palcem otpustite blokadu baterije f.



Sl. 1

- ▶ Izvucite litij-ionsku bateriju 21, napunite je i/ili zamjensku litij-ionsku bateriju GT641 (3INR19/66-1) umetnite u baterijski aparat za šišanje g, pogledajte Sl. 2.



Sl. 2

4.5 Rukovanje reznom glavom

Podmazivanje rezne glave uljem



Oštećenje aparata za šišanje ili oštećenje rezne glave zbog pogrešnog ulja!

- ▶ Reznu glavu nauljite samo dok stroj radi.
 - ▶ Ne uranjajte uređaj i reznu glavu u tekućinu.
 - ▶ Koristite samo lagano ulje za podmazivanje GT604.
- ▶ Prije svake životinje obilno nauljite reznu glavu preko mjesta za podmazivanje a, pogledajte Sl. A.
 - ▶ Lisnate opruge 7 nauljite 2 do 3 puta dnevno s 3 do 4 kapi ulja, pogledajte Sl. C.

Podmazivanje zupčanika



Oštećenje aparata za šišanje ili oštećenje zupčanika zbog pogrešne masti!

- ▶ Koristite samo mast za prijenosnike GT605.
- ▶ Podmažite zupčanik jedan do dva puta po sezoni šišanja.

- ▶ Odblokirajte i izvadite litij-ionsku bateriju 21.
- ▶ Odvrnite oba vijka 14, pogledajte Sl. B.
- ▶ Kada vidite reznu glavu, okrenute ju ulijevo za približno 15° i skinite ju s kućišta motora.
- ▶ Nanesite oko 1 cm masti na suprotna mjesta zupčanika 12, pogledajte Sl. C.
- ▶ Reznu glavu oprezno natakните na motor. Pritom pazite na to da reznu glavu nataknete okrenutu ulijevo za približno 15° i da donji izdanak zahvaća utor kućišta motora.

Zamjena reznih ploča

- ▶ Odblokirajte i izvadite litij-ionsku bateriju 21.
- ▶ Otpustite narovašenu maticu 11 i odvrnite regulacijski vijak 10 za približno 2 okretaja, pogledajte Sl. A.
- ▶ Otpustite oba stezna vijka 4, donju reznu ploču 2 izvucite prema naprijed i skinite gornju reznu ploču 3, pogledajte Sl. A i E.
- ▶ Prije umetanja gornje rezne ploče 3 provjerite nalazi li se oscilirajući blok 13 u za to predviđenom utoru oscilatora 5, pogledajte Sl. E.
- ▶ Umetnite gornju reznu ploču 3. Pritom osigurajte da oba vrha b oscilatora 5 točno zahvaćaju u provrte c gornje rezne ploče 3, pogledajte Sl. D.
- ▶ Donju reznu ploču 2 gurnite ispod glava steznih vijaka 4 do graničnika prema kućištu rezne glave i zategnite oba stezna vijka 4.
- ▶ Uvrćite regulacijski vijak 10 sve dok rezne ploče lagano ne pritišću jedna drugu, pogledajte Sl. A.

Čišćenje rezne glave

- ▶ Reznu glavu očistite nakon nekoliko dana šišanja ili ako je onečišćena.
- ▶ Odblokirajte i izvadite litij-ionsku bateriju 38.
- ▶ Odvrnite oba vijka 6, pogledajte Sl. F.
- ▶ Kada vidite reznu glavu, okrenute ju ulijevo za približno 15° i skinite ju s kućišta motora.
- ▶ Skinite rezne ploče, pogledajte Zamjena reznih ploča.
- ▶ Unutrašnjost i pojedinačne dijelove rezne glave temeljito očistite četkom ili kistom.
- ▶ Umetnite i stegnite rezne ploče, pogledajte Zamjena reznih ploča.
- ▶ Podmažite zupčanik, pogledajte Podmazivanje zupčanika.
- ▶ Reznu glavu oprezno natakните na motor. Pritom pazite na to da reznu glavu nataknete okrenutu ulijevo za približno 15° i da donji izdanak zahvaća utor kućišta motora.
- ▶ Nauljite reznu glavu, pogledajte Podmazivanje rezne glave uljem.

Namještanje pritiska ploča s pomoću pomagala za precizno namještanje GT146 (opcijski dostupno)

Napomena

Za optimalno namještanje pritiska ploča proizvođač preporučuje pomagalo za precizno namještanje GT146.

- ▶ Pomagalo za precizno namještanje GT146 19 utaknite u dvije rupe regulacijskog vijka 10.

Napomena

Narovašene vijke starijih reznih glava koji nemaju dvije rupe moguće je naknadno opremiti regulacijskim vijkom GT147.

Aesculap®

Baterijski aparat za šišanje velikih životinja Bonum

Namještanje tlaka ploče

Napomena

Tlak ploče namješta se dok stroj radi i bez pomoćnih alata.

Napomena

Previsoki tlak ploče vodi do prevelikog zagrijavanja i povećanog trošenja reznih ploča.

- ▶ Otpustite narovašenu maticu 11 i oprezno izvlačite regulacijski vijak 10 sve dok gornja rezna ploča 3 više ne pritišće donju reznu ploču 2 (jasniji zvuk rada), pogledajte Sl. A.
- ▶ Regulacijski vijak 10 uvrćite sve dok ne osjetite lagan otpor. Nakon što ga osjetite, okrenite za još jedan okretaj, a zatim pritegnite narovašenu maticu 11.

Čišćenje rezne glave

- ▶ Reznu glavu očistite nakon nekoliko dana šišanja ili ako je onečišćena.
- ▶ Odblokirajte i izvadite litij-ionsku bateriju 21.
- ▶ Odvrnite oba vijka 14, pogledajte Sl. B.
- ▶ Kada vidite reznu glavu, okrenite je ulijevo za približno 15° i skinite je s kućišta motora.
- ▶ Skinite rezne ploče, pogledajte Zamjena reznih ploča.
- ▶ Unutrašnjost i pojedinačne dijelove rezne glave temeljito očistite četkom ili kistom.
- ▶ Umetnite i zategnite rezne ploče, pogledajte Zamjena reznih ploča.
- ▶ Podmažite zupčanik, pogledajte Podmazivanje zupčanika.
- ▶ Reznu glavu oprezno natakните na motor. Pritom pazite na to da reznu glavu nataknete okrenutu ulijevo za približno 15° i da donji izdanak zahvaća utor kućišta motora.
- ▶ Podmazivanje rezne glave uljem pogledajte Podmazivanje rezne glave uljem

Naknadno brušenje reznih ploča

- ▶ Za naknadno brušenje obratite se tehničkoj službi, pogledajte Tehnička služba.

4.6 Skladištenje

- ▶ Prije skladištenja dobro očistite aparat za šišanje i rezne ploče, pogledajte Obrada.
- ▶ Aparat za šišanje skladištite u suhoj, tamnoj i čistoj prostoriji.

5. Rezne ploče

5.1 Rezne ploče koje odgovaraju uz reznu glavu GT647 verzija za goveda/GT657 verzija za konje

Broj artikla	Naziv
GT501	Gornja rezna ploča s 15 zubaca
GT502	Donja rezna ploča s 31 zupcem, visina reza 3 mm
GT503	Gornja rezna ploča sa 17 zubaca
GT504	Donja rezna ploča s 18 zubaca, visina reza 3 mm
GT505	Gornja rezna ploča s 23 zupca
GT506	Donja rezna ploča s 23 zupca, visina reza 3 mm
GT508	Donja rezna ploča s 51 zupcem, visina reza 1 mm
GT510	Kao GT506, ali je visina reza 5 mm
GT511	Kao GT502, ali je visina reza 1 mm

5.2 Preporučene kombinacije

Kombinacija	Gornja/donja ploča	Prikladno za
S uskim zupcima	GT501/GT502	Goveda i konje (normalna oprema)
	GT501/GT511	Industrijsko šišanje
	GT505/GT502	Konje i goveda – glatko standardno šišanje
	GT505/GT508	Konje, goveda (šišanje vimena) i industrijsko šišanje
Sa srednje gustim zupcima	GT505/GT511	Konje, goveda – za vrlo fino, glatko šišanje
	GT505/GT506	Goveda, pse i koze
Sa širokim zupcima	GT505/GT510	Pse i koze
	GT503/GT504	Goveda, ovce i ovce s finom vunom

6. Obrada

6.1 Čišćenje/dezinfekcija



OPASNOST

Opasnost od strujnog udara i požara!

- ▶ Prije čišćenja:
 - izvucite mrežni utikač iz punjača.
 - odblokirajte litij-ionsku bateriju i izvadite ju iz akumulatorskog aparata za šišanje.
- ▶ Ne koristite zapaljiva i eksplozivna sredstva za čišćenje.
- ▶ Pazite na to da tekućina ne prodiere u proizvod.



OPREZ

Oštećenje i uništavanje proizvoda zbog strojnog pranja/dezinfekcije!

- ▶ Proizvod čistite/dezinficirajte samo ručno.
- ▶ Nikad ne sterilizirajte proizvod.



OPREZ

Štete na proizvodu zbog neodgovarajućih sredstava za čišćenje/dezinfekciju!

- ▶ Za površinsko čišćenje koristite samo dopuštena sredstva za čišćenje/dezinfekciju u skladu s uputama proizvođača.
 - ▶ Proizvod ne stavljajte u vodu ili u sredstvo za čišćenje.
 - ▶ Ne stavljajte tekućinu u pretince za punjenje.
 - ▶ Vrlo pažljivo čistite kontakte u pretincu za punjenje.
- ▶ Obrišite kućište proizvoda krpom koja ne ostavlja dlačice i koja je navlažena komercijalnim sredstvom za dezinfekciju.
 - ▶ Prema potrebi, ostatke sredstva za čišćenje i dezinfekciju, nakon što se oni upiju, obrišite krpom navlaženom čistom vodom koja ne ostavlja dlačice.
 - ▶ Za brisanje koristite čistu krpom koja ne ostavlja dlačice.
 - ▶ Kontakte u pretincima za punjenje očistite izopropanolom, odn. etilnim alkoholom i vatenim štapićem. Ne koristite kemikalije koje potiču koroziju.
 - ▶ Prema potrebi ponovite čišćenje/dezinfekciju.

Aesculap®

Baterijski aparat za šišanje velikih životinja Bonum

6.2 Kontrola i provjera

- ▶ Ostavite proizvod da se ohladi na sobnu temperaturu.
- ▶ Nakon svakog čišćenja i dezinfekcije provjerite: čistoću, funkciju i oštećenje proizvoda.
- ▶ Provjerite je li proizvod oštećen, čuju li se neuobičajeni zvukovi pri radu, je li previše zagrijan i jesu li vibracije prejake.
- ▶ Provjerite jesu li oštrice rezne glave slomljene, oštećene ili tupe.
- ▶ Odmah izdvojite oštećen proizvod.

7. Održavanje

Kako bi se zajamčio pouzdan rad, tvrtka Aesculap preporučuje održavanje **minimalno jednom godišnje**.

8. Prepoznavanje i uklanjanje pogrešaka

8.1 Baterijski aparat za šišanje Bonum

Smetnja	Uzrok	Uklanjanje
Baterijski aparat za šišanje ne radi	Nije napunjena litij-ionska baterija	Napunite litij-ionsku bateriju
	Neispravna litij-ionska baterija	Umetnite novu litij-ionsku bateriju
	Nije umetnuta litij-ionska baterija	Umetnite litij-ionsku bateriju
Baterijski aparat za šišanje se zaustavlja tijekom rada	Sklopnički spoj isključio je litij-ionsku bateriju	Isključite i uključite baterijski aparat za šišanje
	Litij-ionska baterija je prazna	Umetnite novu litij-ionsku bateriju

8.2 Punjač i litij-ionska baterija

Smetnja	Prepoznavanje	Uzrok	Uklanjanje
Punjač ne radi	Ne svijetli LED prikaz „Baterija“	Nije utaknut priključni mrežni vod	Priključni mrežni vod utaknite u utičnicu opskrbe mreže
	Nije napunjena litij-ionska baterija	Neispravan priključni mrežni vod	Punjač dajte popraviti kod proizvođača, pogledajte odjeljak Tehnička služba
		Neispravna litij-ionska baterija	Proizvođač mora servisirati litij-ionsku bateriju, pogledajte Tehnička služba

Smetnja	Prepoznavanje	Uzrok	Uklanjanje
Ne puni se litij-ionska baterija	Utaknuta litij-ionska baterija, ne svijetli prikaz stanja napunjenosti	Onečišćeni kontakti punjača	Očistite kontakte u pretincu za punjenje, pogledajte Obrada
	-	Oštećeni kontakti punjača	Proizvođač mora servisirati punjač, pogledajte Tehnička služba
	-	Neispravna litij-ionska baterija	Proizvođač mora servisirati litij-ionsku bateriju, pogledajte Tehnička služba
	-	Neispravan punjač	Proizvođač mora servisirati punjač, pogledajte Tehnička služba
	-	Tijekom punjenja u litij-ionskoj bateriji izmjerena je previsoka temperatura	Izvadite litij-ionsku bateriju iz pretinca za punjenje, ostavite ju da se ohladi i ponovite postupak punjenja U slučaju ponovne smetnje: proizvođač mora servisirati litij-ionsku bateriju, pogledajte Tehnička služba
	-	Smetnja pri punjenju, odn. neispravna litij-ionska baterija	Izvadite litij-ionsku bateriju iz pretinca za punjenje i ponovite postupak punjenja U slučaju ponovne smetnje: proizvođač mora servisirati litij-ionsku bateriju, pogledajte Tehnička služba

9. Tehnička služba



Opasnost od ozljeda i/ili neispravan rad!

► **Ne radite preinake na proizvodu.**

Preinake tehničke opreme mogu dovesti do gubitka jamstvenih zahtjeva, kao i gubitka kasnijih odobrenja.

Adrese servisa

Albert Kerbl GmbH

Felizenzell 9

84428 Buchbach / Germany

Phone: +49 (0) 8086 933-100

Fax: +49 (0) 8086 933-500

E-mail: info@kerbl.com

www.kerbl.com

Dodatne adrese servisa možete saznati putem gore navedene adrese.

Baterijski aparat za šišanje velikih životinja Bonum

10. Dodatna oprema/zamjenski dijelovi

Broj artikla	Naziv	Izvedba	Litij-ionska baterija	Stanica za punjenje, kompletna	Dodatna oprema
GT644-BL	Bonum verzija za goveda / komplet s 1 baterijom, plavi	Europa osim Velike Britanije	GT641 (31NR19/66-1)	GT643 (LC40)	GT604 Posebno ulje za rezne ploče i reznu glavu
GT646-BL	Bonum verzija za goveda / komplet s 2 baterije, plavi				
GT654-RO	Bonum verzija za konje / komplet s 1 baterijom, ružičasti				
GT656-RO	Bonum verzija za konje / komplet s 2 baterije, ružičasti				
GT654-BL	Bonum verzija za konje / komplet s 1 baterijom, plavi				
GT656-BL	Bonum verzija za konje / komplet s 2 baterije, plavi				
GT644G-BL	Bonum verzija za goveda / komplet s 1 baterijom, plavi	Velika Britanija		GT643G (LC40)	GT605 Mast za prijenosnik (tuba)
GT646G-BL	Bonum verzija za goveda / komplet s 2 baterije, plavi				
GT654G-RO	Bonum verzija za konje / komplet s 1 baterijom, ružičasti				
GT656G-RO	Bonum verzija za konje / komplet s 2 baterije, ružičasti				
GT654G-BL	Bonum verzija za konje / komplet s 1 baterijom, plavi				
GT656G-BL	Bonum verzija za konje / komplet s 2 baterije, plavi				
GT644K-BL	Bonum verzija za goveda / komplet s 1 baterijom, plavi	SAD		GT643K (LC40)	
GT646K-BL	Bonum verzija za goveda / komplet s 2 baterije, plavi				
GT654K-RO	Bonum verzija za konje / komplet s 1 baterijom, ružičasti				
GT656K-RO	Bonum verzija za konje / komplet s 2 baterije, ružičasti				
GT654K-BL	Bonum verzija za konje / komplet s 1 baterijom, plavi				
GT656K-BL	Bonum verzija za konje / komplet s 2 baterije, plavi				
GT644A-BL	Bonum verzija za goveda / komplet s 1 baterijom, plavi	Australija		GT643A (LC40)	
GT646A-BL	Bonum verzija za goveda / komplet s 2 baterije, plavi				
GT654A-RO	Bonum verzija za konje / komplet s 1 baterijom, ružičasti				
GT656A-RO	Bonum verzija za konje / komplet s 2 baterije, ružičasti				
GT654A-BL	Bonum verzija za konje / komplet s 1 baterijom, plavi				
GT656A-BL	Bonum verzija za konje / komplet s 2 baterije, plavi				

11. Tehnički podaci

11.1 Baterijski aparat za šišanje Bonum

Broj zamaha	maks. 2 500 o/min
Vrijeme rada s jednom litij-ionskom baterijom	približno 70 min do 80 min
Nazivni napon	maks. 10,8 V
Kapacitet	maks. 2 A
Težina (s reznom glavom i baterijom)	950 g

11.2 Punjač GT643 (LC40)

Dometi mrežnog napona (trošenje struje)	od 220 V do 240 V
Frekvencija	od 50 Hz do 60 Hz
Napon punjenja / izlazni napon	maks. 10,8 V
Struja punjenja / izlazna struja	maks. 2,3 A
Težina (s kablom i mrežnim dijelom)	360 g

11.3 Litij-ionska baterija GT621 (31NR19/66-1)

Vrsta članka	Li
Nominalni napon	10,8 V
Kapacitet	2 Ah
Vrijeme punjenja	približno 53 min
Težina	190 g
Ispitni znak	TÜV-Süd, TÜV NRTL (US-C), CE

11.4 Izjava o sukladnosti



Izjavljujemo u isključivoj odgovornosti da je ovaj proizvod u skladu sa sljedećim normama ili normativnim dokumentima: Direktiva 2004/108/EZ o elektromagnetskoj kompatibilnosti: DIN EN 60335-1
DIN EN 60335-2-8
Sigurnost električnih uređaja za kućnu upotrebu i slične svrhe
– opći zahtjevi
– za uređaje za šišanje kose
Aesculap Suhl GmbH

12. Zbrinjavanje

Električni alati, dodatna oprema i ambalaža trebaju se ekološki oporabiti.

12.1 Samo za države članice EU-a



Ne bacajte električne alate u kućni otpad!
U skladu s europskom Direktivom 2012/19/EU o električnom i elektronskom otpadu i s njihovom provedbom u nacionalnom zakonodavstvu, više se ne moraju razdvajati električni alati koji se mogu još koristiti kako bi se ekološki oporabili.

12.2 Litij-ionska baterija

Litij-ionsku bateriju ne bacajte u kućni otpad, vatru ili vodu. Oštećene ili potrošene litij-ionske baterije moraju se u skladu s Direktivom 2006/66/EZ prikupljati, reciklirati i na ekološki prihvatljiv način zbrinjavati.

13. Dvogodišnje jamstvo

Poštovani kupci!

Zahvaljujemo vam što ste se odlučili na kupnju proizvoda naše tvrtke.

Tvrtka Aesculap već desetljećima jamči provjerenu kvalitetu i prvorazredni servis. Svojim kupcima nudimo inovativne i učinkovite proizvode. Tvrtka Aesculap proizvodi visokokvalitetne uređaje i osigurava vam uporabu visokokvalitetnih materijala i pažljivu proizvodnju. Rado bismo vam ukazali na to da ne jamčimo za materijalne nedostatke naših proizvoda ako su nastali zbog nestručne uporabe, uobičajenog habanja ili ako se proizvod ne koristi namjenski ili ako se koriste proizvodi stranih proizvođača koji ne odgovaraju ili koji ne funkcioniraju besprijekorno.

Dijelovi koji su obično podložni habanju i za koje, stoga, ne jamčimo su baterija i rezna glava. Također se izuzimaju materijalni nedostaci koji ne utječu ili neznatno utječu na vrijednosti ili funkcionalnost.

Ako u okviru jamstva dajemo svoje jamstvo, onda zadržavamo i pravo na popravak ili na zamjenu proizvoda.

Aesculap®

Mașină de tuns pentru animale mari, cu acumulator Bonum

Sumar

Pos.	Nr. articol	Denumirea
1	GT647801	1 Carcasa capului de tuns, montată
2	GT502	1 Placa inferioară de tăiere
3	GT501	1 Placă superioară de tăiere (pentru bovine)
	GT505	1 Placă superioară de tăiere (pentru cabaline)
4	GT610010	1 Șurub de blocare
5	GT367201	1 Rezonator
6	GT367202	2 Știft de ghidare
7	TA008295	6 Arc rezonator
8	GT610307	1 Punte cu arc
9	GT367207	2 Șurub de fixare
10	GT640225	1 Șurub de reglare
11	GT610405	2 Piuliță striată
12	GT640220	1 Ax cu roată dințată
13	GT610304	1 Bloc rezonator
14	TA010017	2 Șurub, cruce, M4 x 16
15	TA005091	2 Șurub
16	GT367803	1 Distanțator, dreapta
17	GT367802	1 Distanțator, stânga
18	GT367804	1 Rezonator montat
19	GT146	1 Dispozitiv pentru reglare de precizie Torqui
20	GT800249	1 Buton pornit/oprit (cu LED)
21	GT641(3INR19/66-1)	1 Acumulator Li-Ion
22	GT643 (LC40)	1 Redresor
a	-	1 Punct de lubrifiere mașină de tuns cu acumulator
b	-	1 Nucă oscilantă
c	-	1 Manșonul rulmentului de presiune
d	-	1 Inel arc
e	-	1 Capac carcasă
f	-	1 Tija de apăsare
g	-	1 Arc inelar

Pos.	Nr. articol	Denumirea
-	GT604	1 Ulei special pentru capul de tăiere și plăcile de tăiere
	GT605	1 Grăsime pentru angrenaj (tub)

Simboluri pe produs



Atenție, semn de avertizare universal
Atenție la documentele de însoțire



Marcarea dispozitivelor electrice și electronice conform directivei 2012/19/UE (WEEE), vezi Eliminare

Cuprins

1.	Manipulare în siguranță.....	171
2.	Descrierea dispozitivului.....	171
2.1	Livrare.....	171
2.2	Componentele necesare operării.....	171
2.3	Scopul utilizării.....	171
2.4	Mod de funcționare.....	172
3.	Pregătire.....	172
4.	Lucrul cu mașina de tuns cu acumulator, cu redresorul și cu acumulatorul Li-Ion.....	172
4.1	Pregătirea.....	172
4.2	Verificarea funcțiilor.....	172
4.3	Conecțai redresorul/incărcai acumulatorul Li-Ion.....	173
4.4	Înlocuiți acumulatorul Li-Ion.....	174
4.5	Manipularea capului de tăiere.....	174
4.6	Depozitarea.....	176
5.	Plăci de tăiere.....	176
5.1	Plăci de tăiere potrivite pentru capul de tăiere GT647 versiune bovine/GT657 versiune cabaline.....	176
5.2	Combinaii recomandate.....	176
6.	Pregătirea.....	177
6.1	Curățarea/dezinfectarea.....	177
6.2	Control și testare.....	178
7.	Întreținere.....	178
8.	Identificarea și remediarea defectiunilor.....	178
8.1	Mașină de tuns cu acumulator Bonum.....	178
8.2	Redresor și acumulator Li-Ion.....	178
9.	Service tehnic.....	179

10.	Accesorii/Piese de schimb.....	180
11.	Date tehnice	181
11.1	Mașină de tuns cu acumulator Bonum.....	181
11.2	Încărcător GT643 (LC40).....	181
11.3	Acumulator Li-Ion GT621 (3INR19/66-1).....	181
11.4	Declarație de conformitate.....	181
12.	Eliminare	181
12.1	Numai pentru țările UE.....	181
12.2	Acumulator Li-Ion.....	181
13.	2 ani garanție	181

1. Manipulare în siguranță



Pericol de moarte prin electrocutare!

- ▶ Nu deschideți produsul.
- ▶ Conectați produsul numai la o rețea de alimentare cu împământare.

- ▶ Înainte de utilizarea produsului, verificați-i funcționalitatea și starea corectă.
- ▶ Încărcătorul și acumulatorii Li-Ion se păstrează la temperatura camerei.
- ▶ Țineți redresorul și acumulatorii Li-Ion la loc uscat.
- ▶ Înainte de prima utilizare, încărcați acumulatorii Li-Ion.
- ▶ Pentru a evita deteriorări din cauza montării sau operării necorespunzătoare și pentru a nu periclita garanția:
 - Utilizați produsul numai conform acestor instrucțiuni de utilizare.
 - Respectați normele de siguranță și indicațiile de mentenanță.
 - Combinați între ele numai produse Aesculap.
- ▶ Țineți instrucțiunile de utilizare la îndemâna utilizatorului.
- ▶ Respectați normele în vigoare.
- ▶ Asigurați-vă că instalația electrică a încăperii corespunde cerințelor IEC.
- ▶ Întrerupeți conectarea la rețea trăgând de ștecher, niciodată de cablu.
- ▶ Nu utilizați produsul în zone cu pericol de explozie.
- ▶ Nu utilizați produsul deteriorat sau defect. Eliminați imediat produsele deteriorate.

2. Descrierea dispozitivului

2.1 Livrare

Nr. articol	Denumire
GT640-BL	Bonum Mașină de tuns pentru animale mari, pentru bovine, albastră
GT640-RO	Bonum Mașină de tuns pentru animale mari, pentru cabaline, roz
GT641 (3INR19/66-1)	Acumulator Li-Ion
GT643 (LC40)	Încărcător cu cablu de conectare la rețea (cu ștecher)
TA015304	Instrucțiuni de utilizare
TA009222	Șurubelniță
GT604	Sticlă cu ulei

2.2 Componentele necesare operării

- Mașină de tuns cu acumulator Bonum
- Redresor
- Cablu de conectare la rețea (cu ștecher)
- Acumulator Li-Ion

2.3 Scopul utilizării

Mașină de tuns cu acumulator Bonum

Mașina de tuns cu acumulator Bonum se folosește pentru tunderea animalelor mari precum bovine, cabaline și câini mari.

Încărcător GT643 (LC40)/acumulator Li-Ion GT641 (3INR19/66-1)

Încărcătorul GT643 (LC40) se folosește pentru încărcarea acumulatorului Li-Ion GT641 (3INR19/66-1).

Aesculap®

Mașină de tuns pentru animale mari, cu acumulator Bonum

2.4 Mod de funcționare

Mașină de tuns cu acumulator Bonum

Mașina de tuns cu acumulator Bonum este pornită și oprită cu butonul de pornire/părore **20**.

Mențiune

Pentru a evita o pornire sau o oprire a mașinii, tasta pornit/oprit reacționează abia după o apăsare de >0,5 s.

Încărcător GT643 (LC40)/acumulator Li-Ion GT641 (3INR19/66-1)

Încărcătorul GT643 (LC40) este conceput pentru un interval de tensiune de rețea de la 220 V până la 240 V și de la 50 Hz până la 60 Hz.

Pentru obținerea stării de funcționare, încărcătorul GT643 (LC40) trebuie conectat la rețeaua de alimentare prin intermediul ștecărilor.

Încărcătorul GT643 (LC40) dispune de un șanț de încărcare.

La introducerea acumulatorului Li-Ion în stația de încărcare, procesul de încărcare se declanșează automat.

Timpul de încărcare depinde de starea de încărcare și de capacitatea acumulatorului Li-Ion.

Principiul de încărcare

Acumulatorii Li-Ion sunt încărcăți cu impulsuri constante de curent.

Starea de încărcare a acumulatorilor Li-Ion este monitorizată în timpul încărcării. Monitorizarea curbei de încărcare asigură o încărcare de 100 %, fără supraîncărcare.

În plus, sunt monitorizate temperatura și timpul de încărcare al acumulatorului.

Afișajul stării de încărcare **f** al acumulatorului Li-Ion are 5 LED-uri. Fiecare LED reprezintă 20 % volum de încărcare. Când acumulatorul se încarcă, pulsează LED-ul respectivei stări de încărcare. Când toate LED-urile rămân aprinse continuu, acumulatorul este încărcat complet.

Timp de încărcare

La atingerea timpului maxim de încărcare, procesul de încărcare este întrerupt. Timpul de încărcare este de cca. 53 min.

3. Pregătire

Dacă următoarele reguli nu sunt respectate, Aesculap nu își asumă nicio răspundere.

- ▶ La operarea produsului respectați:
 - normele naționale de instalare și operare,
 - normele naționale privind protecția de incendii și explozii,
 - indicațiile de utilizare conform directivelor IEC-/VDE.

4. Lucrul cu mașina de tuns cu acumulator, cu redresorul și cu acumulatorul Li-Ion

4.1 Pregătirea

Conectați accesoriile

Combi-națiile de accesorii care nu sunt menționate în instrucțiunile de utilizare pot fi utilizate numai dacă sunt specificate expres pentru aplicația intenționată. Este interzisă afectarea negativă a caracteristicilor de performanță, precum și a cerințelor de securitate.

4.2 Verificarea funcțiilor

Mașină de tuns cu acumulator Bonum

- ▶ Efectuați examinarea vizuală.
- ▶ Introduceți acumulatorul Li-Ion **21** în șanțul de încărcare al mașinii până se blochează.
- ▶ Afișajul stării de funcționare **d** indică starea de încărcare.

Mențiune

Pentru a se evita descărcarea acumulatorului Li-Ion în timpul nefolosirii mașinii, conexiunea electronică a acumulatorilor Li-Ion cu comanda mașinii de tuns este întreruptă după o oră.

- ▶ Reactivarea acumulatorului Li-Ion **38** tasta **g**, vezi Fig. E.
Toate LED-urile afișajului de stare de încărcare **f** se aprind.

Redresor/acumulator Li-Ion

- ▶ Efectuați examinarea vizuală.
- ▶ Înainte să conectați produsul la rețeaua de alimentare:
 - Verificați cablul de conectare la rețea să nu fie deteriorat.
 - Verificați produsul să nu fie deteriorat (de ex. verificați contactele din șanțul de încărcare să nu fie îndoite).
- ▶ Introduceți ștecherul de rețea în priza rețelei de alimentare.
- ▶ Introduceți acumulatorul Li-Ion 21 în șanțul de încărcare al redresorului și încărcați, vezi Fig. F.



Introducerea unui tip neadecvat de acumulator deteriorează produsul, șanțul de încărcare sau acumulatorul Li-Ion!

- ▶ **Introduceți acumulatorul Li-Ion numai în șanțul de încărcare prevăzut pentru acesta.**

4.3 Conectați redresorul/încărcați acumulatorul Li-Ion



Pericol de incendiu la scurtcircuitarea polilor cu lichide sau părți metalice!

- ▶ Nu scurtcircuitați acumulatorul Li-Ion.



Pericol de vătămare corporală din cauza unui cablu de conectare la rețea defect!

- ▶ Verificați dacă cablul de conectare la rețea nu este deteriorat.
- ▶ Înlocuiți cablul de conectare la rețea deteriorat la producător.



Pericol de vătămare corporală și pagube materiale în cazul unui acumulator Li-Ion defect!

- ▶ Înainte de încărcare, verificați ca acumulatorul Li-Ion să nu fie deteriorat.
- ▶ Nu utilizați și nu încărcați un acumulator Li-Ion deteriorat.



La o depozitare mai îndelungată, capacitatea și performanțele acumulatorului Li-Ion descărcat se reduc!

- ▶ În cazul unei depozitări mai îndelungate, acumulatorul trebuie să fie încărcat și reîncărcat o dată pe lună.

Mențiune

Înainte de punerea în funcțiune trebuie să vă asigurați că tensiunea de rețea și frecvența de rețea indicate pe plăcuța de identificare, corespund cu datele rețelei de curent. La conectarea încărcătorului se recomandă folosirea cel puțin a unui întrerupător de curenți reziduali de tipul F cu un curent de declanșare de max. 30 mA.

Mențiune

Redresorul poate fi utilizat de copii cu vârsta minimă de 8 ani, precum și de persoane cu capacități fizice, senzoriale sau mentale reduse, ori fără experiența sau cunoștințele necesare, sub supraveghere sau dacă au fost instruiți privind utilizarea în siguranță a dispozitivului și înțeleg pericolele care rezultă din aceasta.

- ▶ Nu lăsați copiii să se joace cu aparatul.
- ▶ Nu lăsați copiii să spele redresorul sau să efectueze lucrări de întreținere la acesta, nesupravegheați.

Aesculap®

Mașină de tuns pentru animale mari, cu acumulator Bonum

Mențiune

Acumulatorul Li-Ion se încălzește ușor în timpul procesului de încărcare.

Mențiune

Când nu lucrați cu redresorul, cablul de conectare la rețea trebuie scos din priză.

- ▶ Utilizați numai încărcătorul Aesculap GT643 (LC40) pentru încărcarea acumulatorilor Li-Ion.
- ▶ Introduceți ștecărul încărcătorului 22 în priză.
LED-ul afișajului stării de funcționare d și LED-ul afișajului de avertizare e luminează succesiv timp de cca. 1 secundă, vezi Fig. F.
- ▶ Introduceți acumulatorul Li-Ion 21 până la capăt în șanțul de încărcare al încărcătorului 22, vezi Fig. F.
LED-ul afișajului stării de funcționare d luminează intermitent, iar acumulatorul Li-Ion 21 se încarcă.
Când LED-ul afișajului stării de funcționare d luminează continuu, acumulatorul Li-Ion este încărcat complet.

4.4 Înlocuiți acumulatorul Li-Ion

- ▶ Țineți mașina de tuns cu acumulator g cu capul de tăiere în jos, pentru ca acumulatorul Li-Ion 21 să nu cadă după deblocare, vezi Fig. 1.
- ▶ Deblocați acumulatorul f cu degetul mare.



Fig. 1

- ▶ Scoateți acumulatorul Li-Ion 21, încărcați-l și/sau introduceți un acumulator Li-Ion GT641 (3INR19/66-1) de rezervă încărcat în mașina de tuns cu acumulator g, vezi Fig. 2.



Fig. 2

4.5 Manipularea capului de tăiere

Ungeți cu ulei capul de tăiere



Deteriorarea mașinii de tuns sau a capului de tăiere din cauza ungerii necorespunzătoare!

- ▶ Ungeți capul de tăiere numai în timpul funcționării mașinii.
 - ▶ Nu scufundați mașina și capul de tăiere în lichide.
 - ▶ Utilizați numai uleiul de lubrifiere ușoară GT604.
- ▶ Ungeți abundant capul de tăiere prin punctul de lubrifiere a înainte de fiecare animal, vezi Fig. A.
 - ▶ Lubrifiați arcurile 7 de 2-3 ori zilnic, cu 3-4 picături de ulei, vezi Fig. C.

Ungeți roata dințată



Ungerea necorespunzătoare poate deteriora mașina de tuns sau roata dințată!

- ▶ Folosiți numai lubrifianțul **GT605**.
- ▶ Ungeți roata dințată o dată sau de două ori în fiecare sezon de tuns oile.

- ▶ Deblocați și îndepărtați acumulatorul Li-Ion **21**.
- ▶ Deșurubați cele două șuruburi **14**, vezi Fig. B.
- ▶ Întoarceți capul de tăiere cu cca. 15° spre stânga și detașați-l apoi de carcasa motorului.
- ▶ Aplicați cam 1 cm de unsoare pe două părți opuse ale roții dințate **12**, vezi Fig. C.
- ▶ Montați cu grijă capul de tăiere pe motor. Asigurați-vă că dispozitivul de tăiere este întors cu cca. 15° spre stânga iar că ștuțul inferior intră în creștătura carcasei motorului.

Înlocuiți plăcile de tăiere

- ▶ Deblocați și îndepărtați acumulatorul Li-Ion **21**.
- ▶ Desfaceți piulițele striate **11** și deșurubați șurubul de reglare **10** cu cca. 2 rotații, vezi Fig. A.
- ▶ Desfaceți cele două șuruburi de blocare **4**, trageți placa inferioară de tăiere **2** spre față și scoateți placa superioară de tăiere **3**, vezi Fig. A și Fig. E.
- ▶ Înainte de introducerea plăcii superioare de tăiere **3** asigurați-vă că blocul rezonator **13** se află în degajarea rezonatorului **5** prevăzută în acest scop, vezi Fig. E.
- ▶ Introduceți placă superioară de tăiere **3**. Asigurați-vă că ambele vârfuri **b** ale rezonatorului **5** intră exact în orificiile **c** ale plăcii superioare de tăiere **3**, vezi Fig. D.
- ▶ Împingeți placa inferioară de tăiere **2** sub capetele șuruburilor de blocare **4** până la capăt, pe carcasa capului de tăiere și strângeți cele două șuruburi de blocare **4**.
- ▶ Înșurubați șurubul de reglare **10** până când cele două plăci de tăiere apasă ușor una pe cealaltă, vezi Fig. A.

Curățați capul de tăiere

- ▶ Curățați capul de tăiere cel puțin după câteva zile de utilizare sau dacă este murdar.
- ▶ Deblocați și îndepărtați acumulatorul Li-Ion **38**.
- ▶ Deșurubați ambele șuruburi **6**, vezi Fig. B.
- ▶ Întoarceți capul de tăiere cu cca. 15° spre stânga și detașați-l apoi de carcasa motorului.
- ▶ Îndepărtați plăcile de tăiere, vezi Înlocuiți plăcile de tăiere.
- ▶ Curățați temeinic interiorul și piesele capului de tăiere, cu o perie sau cu o pensulă.
- ▶ Montați plăcile de tăiere și fixați-le, vezi Înlocuiți plăcile de tăiere.
- ▶ Ungeți roata dințată, vezi Ungeți roata dințată.
- ▶ Montați cu grijă capul de tăiere pe motor. Asigurați-vă că dispozitivul de tăiere este întors cu cca. 15° spre stânga iar că ștuțul inferior intră în creștătura carcasei motorului.
- ▶ Ungeți cu ulei capul de tăiere, vezi Ungeți cu ulei capul de tăiere.

Reglarea presiunii plăcilor cu dispozitivul pentru reglare de precizie GT146 (opțional)

Mențiune

Pentru reglarea optimă a presiunii plăcilor, producătorul recomandă dispozitivul pentru reglare de precizie GT146.

- ▶ Introduceți dispozitivul pentru reglare de precizie GT146 **19** în cele 2 orificii ale șurubului de reglare **10**

Mențiune

Șuruburile cu cap striat ale capetelor de tăiere mai vechi, care nu au 2 orificii, pot fi echipate ulterior cu șurubul de reglare GT147.

Aesculap®

Mașină de tuns pentru animale mari, cu acumulator Bonum

Reglați presiunea plăcilor

Mențiune

Reglarea presiunii plăcilor se va efectua în timpul operării mașinii și fără unelte auxiliare.

Mențiune

O presiune prea mare în plăci duce la o încălzire prea puternică și la o uzură mai mare a plăcilor de tăiere.

- ▶ Desfaceți piulița de reglare **11** și deșurubați cu grijă șurubul de reglare **10**, până când placa superioară de tăiere **3** nu mai este apăsată pe placa inferioară de tăiere **2**, vezi Fig. A.
- ▶ Înșurubați șurubul de reglare **10**, până ce simțiți o ușoară rezistență. De aci, rotiți în continuare cca. o rotație și apoi strângeți piulița striată **11**.

Curățați capul de tăiere

- ▶ Curățați capul de tăiere cel puțin după câteva zile de utilizare sau dacă este murdar.
- ▶ Deblocați și îndepărtați acumulatorul Li-Ion **21**.
- ▶ Deșurubați cele două șuruburi **14**, vezi Fig. B.
- ▶ Privind spre capul de tăiere, rotiți-l cu cca. 15° spre stânga și detașați-l apoi de carcasa motorului.
- ▶ Îndepărtați plăcile de tăiere, consultați Înlocuirea plăcilor de tăiere.
- ▶ Curățați temeinic interiorul și piesele capului de tăiere, cu o perie sau cu o pensulă.
- ▶ Introduceți și strângeți plăcile de tăiere, consultați Înlocuirea plăcilor de tăiere.
- ▶ Ungeți roata dințată, consultați Ungerea roții dințate.
- ▶ Montați cu grijă capul de tăiere pe motor. Asigurați-vă că dispozitivul de tăiere este întors cu cca. 15° spre stânga iar că ștuțul inferior intră în creștătura carcasei motorului.
- ▶ Ungeți cu ulei capul de tăiere vezi Ungeți cu ulei capul de tăiere

Reascuțirea plăcilor de tăiere

- ▶ Pentru reascuțirea plăcilor de tăiere, adresați-vă unui serviciu tehnic, vezi Service tehnic.

4.6 Depozitarea

- ▶ Curățați bine mașina de tuns și plăcile de tăiere, înainte de depozitare, vezi Pregătirea.
- ▶ Depozitați mașina de tuns într-o încăpere întunecată și curată.

5. Plăci de tăiere

5.1 Plăci de tăiere potrivite pentru capul de tăiere GT647 versiune bovine/GT657 versiune cabaline

Nr. articol	Denumire
GT501	Placa superioară de tăiere cu 15 dinți
GT502	Placa inferioară de tăiere cu 31 de dinți, înălțime de tăiere 3 mm
GT503	Placa superioară de tăiere cu 17 dinți
GT504	Placa inferioară de tăiere cu 18 dinți, înălțime de tăiere 3 mm
GT505	Placa superioară de tăiere cu 23 dinți
GT506	Placa inferioară de tăiere cu 23 de dinți, înălțime de tăiere 3 mm
GT508	Placa inferioară de tăiere cu 51 de dinți, înălțime de tăiere 1 mm
GT510	Ca și GT506, dar cu înălțime de tăiere de 5 mm
GT511	Ca și GT502, dar cu înălțime de tăiere de 1 mm

5.2 Combinații recomandate

Combinație	Placă superioară/inferioară	Recomandată pentru
Dantură deasă	GT501/GT502	Bovine și cabaline (echipare normală)
	GT501/GT511	Tundere industrială
	GT505/GT502	Bovine și cabaline – tundere netedă standard
Dantură medie	GT505/GT508	Bovine, cabaline (tundere în jurul ugerului) și tundere industrială
	GT505/GT511	Bovine și cabaline – tundere netedă, foarte fină
Dantură rară	GT505/GT506	Bovine, câini și caprine
	GT505/GT510	Câini și caprine
Dantură rară	GT503/GT504	Bovine, ovine și ovine cu lână moale

6. Pregătirea

6.1 Curățarea/dezinfectarea



PERICOL

Pericol de electrocutare și de incendiu!

- ▶ Înainte de curățare:
 - Deconectați de la rețea ștecherul redresorului.
 - Deblocați acumulatorul Li-Ion și îndepărtați-l din mașina de tuns.
- ▶ Nu utilizați detergenți și dezinfectanți inflamabili sau explozibili.
- ▶ Asigurați-vă că nu pătrunde niciun lichid în produs.



ATENȚIE

Produsul poate fi deteriorat sau distrus prin curățare și dezinfectare manuală!

- ▶ Curățați/dezinfectați produsul numai manual.
- ▶ Nu sterilizați produsul niciodată.



ATENȚIE

Detergenții și dezinfectanții inadecvați pot deteriora produsul!

- ▶ Pentru curățarea suprafețelor, utilizați numai detergenți și dezinfectanți recomandați de producător.
 - ▶ Nu puneți produsul niciodată în apă sau detergenți.
 - ▶ Nu lăsați lichide să pătrundă în șanțurile de încărcare.
 - ▶ Curățați contactele din șanțul de încărcare cu mare grijă.
- ▶ Ștergeți carcasa produsului cu o cârpă fără scame, umezită cu o substanță de curățare și dezinfectare din comerț.
 - ▶ Dacă este cazul, după ce și-au făcut efectul, ștergeți resturile de detergent sau de dezinfectant cu o cârpă fără scame și umezită cu apă curată.
 - ▶ Pentru uscare, utilizați o cârpă curată, fără scame.
 - ▶ Curățați contactele din șanțurile de încărcare cu izopropanol respectiv cu alcool etilic și cu un bețișor cu vată. Nu utilizați chimicale corozive.
 - ▶ Dacă este necesar, repetați curățarea/dezinfectarea.

Aesculap®

Mașină de tuns pentru animale mari, cu acumulator Bonum

6.2 Control și testare

- ▶ Lăsați produsul să se răcească la temperatura camerei.
- ▶ După fiecare curățire și dezinfectare, verificați produsul dacă este curat, funcțional și nu este deteriorat.
- ▶ Verificați produsul să nu fie deteriorat, să nu emită sunete neregulate în timpul funcționării, să nu se supraîncălzească sau să nu vibreze foarte puternic.
- ▶ Controlați capul de tăiere, să nu prezinte tășuri deteriorate sau tocite.
- ▶ Eliminați imediat produsele deteriorate.

7. Întreținere

Pentru garantarea unei operări fiabile, Aesculap recomandă mentenanța cel puțin o dată pe an.

8. Identificarea și remedierea defecțiunilor

8.1 Mașină de tuns cu acumulator Bonum

Deranjament	Cauză	Remediere
Mașina de tuns nu pornește	Acumulatorul Li-Ion nu este încărcat	Încărcați acumulatorul li-ion
	Acumulatorul Li-Ion este defect	Atașați un acumulator Li-Ion nou
	Acumulatorul Li-Ion nu este introdus	Introduceți acumulatorul Li-Ion
Mașina de tuns se oprește în timpul operării	Acumulatorul Li-Ion a fost deconectat de circuitul de protecție	Opriiți și porniți din nou mașina de tuns
	Acumulatorul Li-Ion este gol	Atașați un acumulator Li-Ion nou

8.2 Redresor și acumulator Li-Ion

Deranjament	Identificare	Cauză	Remediere
Redresorul nu funcționează	Indicatorul LED „Akku” nu se aprinde	Cablul de rețea nu este conectat	Introduceți cablul de rețea în priza rețelei de alimentare
	Acumulatorul Li-Ion nu este încărcat	Cablul de rețea defect	Pentru reparații, duceți alimentatorul la producător, consultați Service tehnic
		Acumulatorul Li-Ion este defect	Duceți acumulatorul Li-Ion la producător, pentru reparații, vezi Service tehnic

Deranjament	Identificare	Cauză	Remediere
Acumulatorul Li-Ion nu se încarcă	Acumulatorul Li-Ion este conectat, afișajul stării de încărcare nu se aprinde	Contactele redresorului sunt murdare	Curățați contactele din șanțul de încărcare, vezi Pregătirea
	-	Contactele redresorului sunt deteriorate	Duceți redresorul la producător, pentru reparații, vezi Service tehnic
	-	Acumulatorul Li-Ion este defect	Duceți acumulatorul Li-Ion la producător, pentru reparații, vezi Service tehnic
	-	Redresor defect	Duceți redresorul la producător, pentru reparații, vezi Service tehnic
	-	În timpul procesului de încărcare, se măsoară o temperatură prea ridicată în acumulatorul Li-Ion	Scoateți acumulatorul Li-Ion din șanțul de încărcare, lăsați-l să se răcească și repetați procesul de încărcare
	-	Defecțiune la încărcare, respectiv acumulator Li-Ion defect	Scoateți acumulatorul Li-Ion din șanțul de încărcare și repetați procesul de încărcare La repetarea defecțiunii: duceți acumulatorul Li-Ion la producător, pentru reparare, vezi Service tehnic

9. Service tehnic



Pericol de vătămare corporală și/sau funcționare defectuoasă!
► Nu modificați produsul.

Modificările la acest echipament tehnic pot duce la o pierdere a drepturilor de garanție precum și a eventualelor autorizări.

Adrese de service

Albert Kerbl GmbH

Felizenzell 9

84428 Buchbach / Germany

Phone: +49 (0) 8086 933-100

Fax: +49 (0) 8086 933-500

E-mail: info@kerbl.com

www.kerbl.com

Puteți afla și alte adrese de service la adresa menționată mai sus.

10. Accesorii/Piese de schimb

Nr. articol	Denumire	Design	Acumulator Li-lon	Stație de încărcare completă	Accesorii
GT644-BL	Bonum versiune bovine / set cu 1 acumulator, albastru	Europa în afară de Marea Britanie	GT641 (3INR19/66-1)	GT643 (LC40)	GT604 Ulei special pentru plăcile de tăiere și capul de tăiere
GT646-BL	Bonum versiune bovine / set cu 2 acumulatori, albastru				
GT654-RO	Bonum versiune cabaline / set cu 1 acumulator, roz				
GT656-RO	Bonum versiune cabaline / set cu 2 acumulatori, roz				
GT654-BL	Bonum versiune cabaline / set cu 1 acumulator, albastru				
GT656-BL	Bonum versiune cabaline / set cu 2 acumulatori, albastru				
GT644G-BL	Bonum versiune bovine / set cu 1 acumulator, albastru	Marea Britanie		GT643G (LC40)	GT605 Grăsime pentru angrenaj (tub)
GT646G-BL	Bonum versiune bovine / set cu 2 acumulatori, albastru				
GT654G-RO	Bonum versiune cabaline / set cu 1 acumulator, roz				
GT656G-RO	Bonum versiune cabaline / set cu 2 acumulatori, roz				
GT654G-BL	Bonum versiune cabaline / set cu 1 acumulator, albastru				
GT656G-BL	Bonum versiune cabaline / set cu 2 acumulatori, albastru				
GT644K-BL	Bonum versiune bovine / set cu 1 acumulator, albastru	SUA		GT643K (LC40)	
GT646K-BL	Bonum versiune bovine / set cu 2 acumulatori, albastru				
GT654K-RO	Bonum versiune cabaline / set cu 1 acumulator, roz				
GT656K-RO	Bonum versiune cabaline / set cu 2 acumulatori, roz				
GT654K-BL	Bonum versiune cabaline / set cu 1 acumulator, albastru				
GT656K-BL	Bonum versiune cabaline / set cu 2 acumulatori, albastru				
GT644A-BL	Bonum versiune bovine / set cu 1 acumulator, albastru	Australia		GT643A (LC40)	
GT646A-BL	Bonum versiune bovine / set cu 2 acumulatori, albastru				
GT654A-RO	Bonum versiune cabaline / set cu 1 acumulator, roz				
GT656A-RO	Bonum versiune cabaline / set cu 2 acumulatori, roz				
GT654A-BL	Bonum versiune cabaline / set cu 1 acumulator, albastru				
GT656A-BL	Bonum versiune cabaline / set cu 2 acumulatori, albastru				

11. Date tehnice

11.1 Mașină de tuns cu acumulator Bonum

Rotație	max. 2 500 1/min
Timp de operare cu un acumulator Li-Ion	cca. 70 min la 80 min
Tensiune nominală	max. 10,8 V
Capacitate	max. 2 A
Greutate (cu cap de tăiere și acumulator)	950 g

11.2 Încărcător GT643 (LC40)

Domenii de tensiune de rețea (absorbția de curent)	220 V până la 240 V
Frecvență	50 Hz până la 60 Hz
Tensiune de încărcare/de ieșire	max. 10,8 V
Curent de încărcare/de ieșire	max. 2,3 A
Greutate (cu cablu și alimentator)	360 g

11.3 Acumulator Li-Ion GT621 (3INR19/66-1)

Tip de celulă	Li
Tensiune nominală	10,8 V
Capacitate	2 Ah
Timp de încărcare	cca. 53 min
Greutate	190 g
Mărci de certificare	TÜV-Süd, TÜV NRTL (US-C), CE

11.4 Declarație de conformitate



Declarăm pe răspunderea noastră că acest produs corespunde următoarelor norme sau documente normative:

Directiva CEM 2004/108/CE:

DIN EN 60335-1

DIN EN 60335-2-8

Siguranța dispozitivelor electrice pentru uz casnic și scopuri similare

- Cerințe generale
- pentru mașinile de tuns

Aesculap Suhl GmbH

12. Eliminare

Recomandăm o reciclare ecologică a uneltelor electrice, accesoriilor și ambalajelor.

12.1 Numai pentru țările UE



Nu aruncați unelte electrice împreună cu deșeurile menajere!

Conform directivei europene 2012/19/EU privind aparatele electrice și electronice vechi și implementarea acesteia în legislația națională, aparatele electrice funcționale se colectează separat și sunt destinate unei reciclări ecologice.

12.2 Acumulator Li-Ion

Nu aruncați acumulatorii Li-Ion la deșeurile menajere, în foc sau în apă. Conform directivei 2006/66/EG Acumulatorii Li-Ion trebuie colectați, reciclați sau eliminați pe cale ecologică.

13. 2 ani garanție

Stimat client, stimată clientă,

vă mulțumim că v-ați decis să cumpărați un produs al firmei noastre.

Numele Aesculap este garanția pentru calitate consacrată și servicii excepționale. Oferim clienților noștri produse inovatoare și performante. Aesculap produce aparate de înaltă calitate și vă garantează utilizarea de materiale de înaltă calitate și produse atent elaborate. Vă informăm că nu ne asumăm răspunderea pentru defecțiuni fizice ale produselor noastre, dacă acestea au fost cauzate de utilizare necorespunzătoare, uzură normală sau dacă au fost folosite produse străine care nu funcționau la modul optim.

Piese care se uzează de obicei și pentru care, de aceea, nu oferim garanție, sunt acumulatorul și dispozitivul de tăiere. Sunt exceptate și defecțiunile fizice care nu influențează sau nu influențează în mod relevant valoarea sau funcționalitatea produsului.

Dacă defecțiunile se încadrează în condițiile noastre de garantare, ne rezervăm obligația de a repara sau înlocui produsul defect.

Aescular®

Акумулаторна машинка за стригане Bonum на едри животни

Общ преглед

Поз.	Арт. №	Наименование
1	GT647801	1 Корпус на стрижещата глава, монтиран
2	GT502	1 Долна режеща пластина
3	GT501	1 Горна режеща пластина (за говеда)
	GT505	1 Горна режеща пластина (за коне)
4	GT610010	1 Затегателен винт
5	GT367201	1 Осцилатор
6	GT367202	2 Водещ шифт
7	TA008295	6 Вибриращ пружинен лист
8	GT610307	1 Пружинен мост
9	GT367207	2 Фиксиращ винт
10	GT640225	1 Регулиращ винт
11	GT610405	2 Гайка с назъбка
12	GT640220	1 Вал със зъбно колело
13	GT610304	1 Вибрираща подложка
14	TA010017	2 Винт, кръстат, М4 x 16
15	TA005091	2 Винт
16	GT367803	1 Разделяща част, дясна
17	GT367802	1 Разделяща част, лява
18	GT367804	1 Осцилатор, монтиран
19	GT146	1 Прецизно помощно устройство за регулиране Torqui
20	GT800249	1 Бутон Вкл/Изкл (с LED)
21	GT641 (31NR19/66-1)	1 Литиево-йонна акумулаторна батерия
22	GT643 (LC40)	1 Зарядно устройство
a	-	1 Точка за смазване Акумулаторна машинка за стригане
b	-	1 Подвижна глава
c	-	1 Притискателна лагерна втулка
d	-	1 Пружинна шайба
e	-	1 Капак на корпуса
f	-	1 Притискателна щанга
g	-	1 Пружина със скоби

Поз.	Арт. №	Наименование
-	GT604	1 Специално масло за режещата глава и режещите пластини
	GT605	1 Трансмисионната смазка (туба)

Символи на продукта



Внимание, общ предупредителен знак
Внимание, спазвайте инструкциите в съпровождащата документация



Маркировка на електрически и електронни уреди в съответствие с Директива 2012/19/ЕО относно отпадъци от електрическо и електронно оборудване (OEEO). вижте Изхвърляне като отпадък

Съдържание

1.	Безопасна употреба	183
2.	Описание на уреда	183
2.1	Обхват на доставката	183
2.2	Компоненти, необходими за използването на уреда	183
2.3	Предназначение	183
2.4	Принцип на действие	184
3.	Подготовка	184
4.	Работа с акумулаторната машинка за стригане на овце, зарядното устройство и литиево-йонната акумулаторна батерия	184
4.1	Привеждане в готовност за работа	184
4.2	Функционално изпитване	184
4.3	Съхранявайте зарядното устройство и литиево-йонните акумулаторни батерии на сухо място	185
4.4	Смяна на литиево-йонната акумулаторна батерия	186
4.5	Използване на режещата глава	186
4.6	Съхранение	188
5.	Режещи пластини	188
5.1	Режещи пластини, подходящи за стрижеща глава GT647 версия за говеда/GT657 версия за коне	188
5.2	Препоръчителни комбинации	188
6.	Обработка	189
6.1	Почистване/дезинфекция	189
6.2	Контрол и проверка	190
7.	Техническо обслужване	190
8.	Откриване и отстраняване на грешки	190
8.1	Акумулаторна машинка за стригане Bonum	190

8.2	Зарядно устройство и литиево-йонна акумулаторна батерия	190
9.	Техническо обслужване	191
10.	Принадлежности/резервни части	192
11.	Технически данни	193
11.1	Акумулаторна машинка за стригане Wopim	193
11.2	Зарядно устройство GT643 (LC40)	193
11.3	Литиево-йонна акумулаторна батерия GT621 (3INR19/66-1)	193
11.4	Декларация за съответствие	193
12.	Изхвърляне като отпадък	193
12.1	Само за страни-членки на ЕС	193
12.2	Литиево-йонна акумулаторна батерия	193
13.	2 години гаранция	193

1. Безопасна употреба



Опасност за живота в резултат на токов удар!

- ▶ Не отваряй продукта.
- ▶ Продуктът да се включва само към захранваща мрежа със заземен проводник.

- ▶ Преди употреба на продукта да се провери функционалната пригодност и изправност.
- ▶ Зарядното устройство и литиево-йонните батерии да се съхраняват на стайна температура.
- ▶ Съхранявайте зарядното устройство и литиево-йонните акумулаторни батерии на сухо място.
- ▶ Преди първото използване заредете литиево-йонните акумулаторни батерии.
- ▶ За да се избегнат щети в резултат на неправилен монтаж или експлоатация и да не се застраши валидността на гаранцията и отговорността:
 - Продуктът да се използва само в съответствие с инструкцията за употреба.
 - Да се спазват данните за безопасност и указанията за техническо обслужване.
 - Да се комбинират само продукти с марката Aescular.
- ▶ Инструкцията за употреба да се съхранява на достъпно за потребителя място.
- ▶ Да се спазват действащите норми.
- ▶ Уверете се, че електрическата инсталация на помещението отговаря на изискванията на стандарт IEC.
- ▶ Изключвайте от захранващата мрежа само чрез изтегляне на щекера на уреда, никога чрез дърпане на кабела.
- ▶ Продуктът да не се използва във взривоопасни среди.
- ▶ Да не се използва повреден или дефектен продукт. При повреда продуктът да се изключи незабавно.

2. Описание на уреда

2.1 Обхват на доставката

Номер на артикул	Обозначение
GT640-BL	Машинка за стригане Wopim на едри животни за говеда, синя
GT640-RO	Машинка за стригане Wopim на едри животни за коне, розова
GT641 (3INR19/66-1)	Литиево-йонна акумулаторна батерия
GT643 (LC40)	Зарядно устройство, вкл. захранващ кабел (с щекер на уреда)
TA015304	Инструкция за употреба
TA009222	Отвертка
GT604	Бутилка с масло

2.2 Компоненти, необходими за използването на уреда

- Акумулаторна машинка за стригане Wopim
- Зарядно устройство
- Захранващ кабел (с щекер на уреда)
- Литиево-йонна акумулаторна батерия

2.3 Предназначение

Акумулаторна машинка за стригане Wopim

Акумулаторната машинка за стригане Wopim се използва за стригане на едри животни като говеда, коне и големи кучета.

Зарядно устройство GT643 (LC40)/литиево-йонна акумулаторна батерия GT641 (3INR19/66-1)

Зарядното устройство GT643 (LC40) се използва за зареждане на литиево-йонната акумулаторна батерия GT641 (3INR19/66-1).

Aescular®

Акумулаторна машинка за стригане Bonum на едри животни

2.4 Принцип на действие

Акумулаторна машинка за стригане Bonum

Акумулаторната машинка за стригане Bonum се включва и изключва с бутон за вкл/изкл **20**.

Указание

За да се избегне непредвидено включване/изключване на машинката, бутонът Вкл./Изкл. реагира едва 0.5 сек. след задействане.

Зарядно устройство GT643 (LC40)/литиево-йонна акумулаторна батерия GT641 (31NR19/66-1)

Зарядното устройство GT643 (LC40) е проектирано за диапазон на мрежово напрежение от 220 V до 240 V и честота от 50 Hz до 60 Hz.

За привеждане в готовност за експлоатация зарядното устройство GT643 (LC40) се присъединява към захранващата мрежа с мрежов щекер.

Зарядното устройство GT643 (LC40) разполага с отделение за батерия. Процесът на зареждане стартира автоматично с вкарването на литиево-йонната акумулаторна батерия в зарядната станция.

Времето за зареждане зависи от степента на зареждане и капацитета на литиево-йонната акумулаторна батерия.

Принцип на зареждане

Литиево-йонните акумулаторни батерии са заредени с постоянни токови импулси.

Степента на зареждане на литиево-йонната акумулаторна батерия се контролира по време на процеса на зареждане. Чрез проследяване на кривата на зареждане се гарантира 100 %-во зареждане, като се избягва презареждане.

Освен това се следят температурата и времето на зареждане на акумулаторната батерия.

Индикаторът на степента на зареждане **f** на литиево-йонната акумулаторна батерия разполага с 5 светодиода (LED). Всеки светодиод отчита 20 % капацитет на зареждане. Ако акумулаторната батерия се намира в процес на зареждане, мига светодиодът за съответната степен на зареждане. Ако светят всички светодиоди непрекъснато, акумулаторната батерия е напълно заредена.

Време за товарене

При достигане на максималното време на зареждане процесът на зареждане се прекратява. Времето на зареждане е около 53 мин.

3. Подготовка

При неспазване на посочените по-долу предписания, Aescular не поема каквато и да било отговорност.

- ▶ При инсталиране и използване на продукта спазвайте:
 - националните предписания за инсталиране и експлоатация,
 - националните предписания относно пожаро- и взривозащита,
 - указанията за приложение съгласно разпоредбите на стандартите IEC-/VDE.

4. Работа с акумулаторната машинка за стригане на овце, зарядното устройство и литиево-йонната акумулаторна батерия

4.1 Привеждане в готовност за работа

Присъединяване на принадлежности

Комбинациите от принадлежности, които не са споменати в инструкцията за употреба, могат да се използват само, ако са изрично определени за предвиденото използване. Да не се допуска отрицателно влияние върху работните характеристики и изискванията за безопасност.

4.2 Функционално изпитване

Акумулаторна машинка за стригане Bonum

- ▶ Извършете визуална проверка.
- ▶ Вкарайте литиево-йонната акумулаторна батерия **21** в отделението в машинката, докато се фиксира.
- ▶ Работният индикатор **d** показва съответния заряд.

Указание

За да се предотврати разреждане на литиево-йонната акумулаторна батерия при неизползване на машинката, електронната връзка на литиево-йонната акумулаторна батерия към управлението на акумулаторната машинка за стригане на овце се прекъсва след 1 час.

- ▶ Повторно активиране на литиево-йонната акумулаторна батерия **38**: задействайте бутон **g**, виж Фиг. Е.

Всички светодиоди на индикатора на степента на зареждане **f** светват.

Зарядно устройство/литиево-йонна акумулаторна батерия

- ▶ Извършете визуална проверка.
- ▶ Преди присъединяване на продукта към захранващата мрежа:
 - Проверете захранващия кабел за евентуални повреди.
 - Проверете продукта за възможни повреди (напр. проверете контактите на отделението за батерията за изкривени контакти).
- ▶ Вкарайте мрежовия щекер в щепселната розетка на захранващата мрежа.
- ▶ Поставете литиево-йонната акумулаторна батерия 21 в отделението за зареждане на зарядното устройство и заредете, виж Фиг. F.

4.3 Съхранявайте зарядното устройство и литиево-йонните акумулаторни батерии на сухо място



ПРЕДУПРЕЖДЕНИЕ

Опасност от пожар при късо съединение на полюсите, причинено от течности или метални предмети!

- ▶ Не включвайте на късо литиево-йонната акумулаторна батерия.



ПРЕДУПРЕЖДЕНИЕ

Опасност от нараняване поради повреден мрежови кабел!

- ▶ Преди зареждане проверете захранващия кабел за повреди.
- ▶ Обърнете се към производителя за смяна на повредения захранващ кабел.



ПРЕДУПРЕЖДЕНИЕ

Опасност от нараняване и причиняване на материални щети в резултат на повредена литиево-йонна акумулаторна батерия!

- ▶ Преди зареждане проверете литиево-йонната акумулаторна батерия за повреди.
- ▶ Не използвайте и не зареждайте повредена литиево-йонна акумулаторна батерия.



ВНИМАНИЕ

Загуба на капацитет/мощност на разредената литиево-йонна батерия в резултат на по-продължително съхранение на склад!

- ▶ Предавайте литиево-йонната батерия за по-продължително съхранение на склад само напълно заредена и я дозареждайте веднъж месечно.



ВНИМАНИЕ

Опасност от разрушаване на продукта, отделението за батерията или литиево-йонната акумулаторна батерия при вкарване на грешен тип акумулаторна батерия в отделението за батерията!

- ▶ Вкарайте литиево-йонната акумулаторна батерия само в предвиденото за това отделение за батерията.

Указание

Преди пускане в експлоатация трябва да се гарантира, че мрежовото напрежение и мрежовата честота, посочени върху фабричната табелка, съвпадат с данните на електрическата мрежа. При присъединяване на зарядното устройство се препоръчва да се използва най-малко прекъсвач с дефектнотокова защита тип F със задействащ ток от макс. 30 mA.

Указание

Зарядното устройство не е предназначено за употреба от деца под 8 години и лица с намалени физически, сензорни или умствени способности или от лица с недостатъчно опит и познания, освен ако не са наблюдавани или инструктирани за безопасната употреба на уреда и са разбрали произтичащите от това опасности.

- ▶ Не позволявайте на деца да играят с уреда.
- ▶ Не позволявайте почистване и техническо обслужване на уреда от деца без наблюдение.

Aescular®

Акумулаторна машинка за стригане Bonum на едри животни

Указание

Литиево-йонните акумулаторни батерии се нагряват леко по време на процеса на зареждане.

Указание

Когато не се работи със зарядното устройство, мрежовият кабел трябва да се изключен от щепселната розетка.

- ▶ За зареждане на литиево-йонните акумулаторни батерии да се използва само зарядно устройство Aescular GT643 (LC40).
- ▶ Включете щепсела на зарядното устройство 22.
LED на работния индикатор d и LED на предупредителния индикатор е светват един след друг за около 1 секунда, виж Фиг. F.
- ▶ Вкарайте литиево-йонната акумулаторна батерия 21 докрай в отделениято за зареждане на зарядното устройство 22, виж Фиг. F.
LED на работния индикатор d мига и литиево-йонната батерия 21 се зарежда.
Ако LED на работния индикатор d свети постоянно, литиево-йонната батерия е напълно заредена.

4.4 Смяна на литиево-йонната акумулаторна батерия

- ▶ Дръжте акумулаторната машинка за стригане g със стрижещата глава надолу, за да не падне литиево-йонната акумулаторна батерия 21 при освобождаване, вижте Фиг. 1.
- ▶ Освободете блокировката на акумулаторната батерия f с палеца.



Фиг. 1

- ▶ Извадете литиево-йонната акумулаторна батерия 21, заредете и/или вкарайте заредената резервна литиево-йонна акумулаторна батерия GT641 (31NR19/66-1) в акумулаторната машинка за стригане g, вижте Фиг. 2.



Фиг. 2

4.5 Използване на режещата глава

Смазване на режещата глава



ВНИМАНИЕ

Опасност от повреждане на машинката за стригане или на режещата глава в резултат на неправилно смазване!

- ▶ Режещата глава да се смазва само при работеща машинка.
- ▶ Машинката и режещата глава да не се потапят в течности.
- ▶ Да се използва само леко смазочно масло.

- ▶ Преди всяко животно стрижещата глава да се смазва обилно от точката за смазване a, виж Фиг. A.
- ▶ Пружинните листове 7 да се смазват 2-3 пъти дневно с 3-4 капки масло, виж Фиг. C.

Гресиране на зъбното колело



Опасност от повреждане на машинката за стригане или на зъбното колело в резултат на неправилно гресиране!

- ▶ Да се използва само трансмисионно масло GT605.
- ▶ Зъбното колело да се смазва 1–2 пъти на сезон на стригане.

- ▶ Освободете и отстранете литиево-йонната акумулаторна батерия 21.
- ▶ Развийте двата винта 14, виж Фиг. В.
- ▶ С поглед, насочен върху режещата глава, завъртете същата на 15° наляво и я свалете от корпуса на двигателя.
- ▶ Нанесете около 1 см грес върху двете, разположени една срещу друга точки на зъбното колело 12, виж Фиг. С.
- ▶ Поставете внимателно стрижещата глава върху двигателя. При това се уверете, че стрижещата глава е поставена така, че да бъде леко извъртяна на около 15° наляво, а долното краче да зацепва в жлеба на корпуса на двигателя.

Смяна на режещите пластини

- ▶ Освободете и отстранете литиево-йонната акумулаторна батерия 21.
- ▶ Развийте гайката с назъбка 11 и развийте регулиращия винт 10 около 2 оборота, виж Фиг. А.
- ▶ Развийте двата фиксиращи винта 4, дръпнете долната режеща пластина 2 напред и извадете горната режеща пластина 3, виж Фиг. А и Фиг. Е.
- ▶ Преди поставяне на горната режеща пластина 3 се уверете, че вибриращата подложка 13 се намира в предвидения за това отвор на осцилатора 5, виж Фиг. Е.
- ▶ Поставете горната режеща пластина 3. При това се уверете, че двата върха **в** на осцилатора 5 влизат точно в отворите с на горната режеща пластина 3, виж Фиг. D.
- ▶ Поставете долната режеща пластина 2 под главите на фиксиращите винтове 4 до ограничителя на корпуса на стрижещата глава и затегнете двата фиксиращи винта 4.
- ▶ Завийте регулиращия винт 10, докато двете режещи пластини леко се притиснат една върху друга, виж Фиг. А.

Почистване на режещата глава

- ▶ Режещата глава трябва да се почиства поне на няколко дни по време на сезона на стригане или при замърсяване.
- ▶ Деблокирайте и отстранете литиево-йонната акумулаторна батерия 38.
- ▶ Развийте двата винта 6, вижте Фиг. В.
- ▶ С поглед, насочен върху режещата глава, завъртете същата на 15° наляво и я свалете от корпуса на двигателя.
- ▶ Свалете режещите пластини, вижте Смяна на режещите пластини.
- ▶ почистете щателно вътрешното пространство и единичните части на режещата глава с четка.
- ▶ Поставете и затегнете режещите пластини, вижте Смяна на режещите пластини.
- ▶ Гресиране на зъбното колело, вижте Гресиране на зъбното колело.
- ▶ Поставете внимателно режещата глава върху двигателя. При това се уверете, че режещата глава е поставена така, че да бъде леко извъртяна на около 15° наляво, а долното краче да зацепва в жлеба на корпуса на двигателя.
- ▶ Смажете режещата глава, вижте Смазване на режещата глава.

Регулиране на натиска на пластините с помощта на прецизно помощно устройство за регулиране GT146 (може да се закупи опционално)

Указание

За оптимално регулиране на натиска на пластините производителят препоръчва да се използва прецизното помощно устройство за регулиране GT146.

- ▶ Вкарайте прецизното помощно устройство за регулиране GT146 19 в 2-та отвора на регулиращия винт 10

Указание

Винтовете с назъбка на по-старите стрижещи глави, които нямат 2 отвора, могат да се оборудват допълнително с регулиращ винт GT147.

Акумулаторна машинка за стригане Bonum на едри животни

Настройка на натиска на пластините

Указание

Настройката на натиска на пластините трябва да се извършва при работеща машина и без помощни инструменти.

Указание

Прекалено висок натиск на пластините води до загряване и по-голямо износване на режещите пластини.

- ▶ Разхлабете гайката с назъбка 11 и внимателно развийте регулиращия винт 10, докато горната режеща пластина 3 престане да се притиска върху долната режеща пластина 2 (светъл цвят), виж Фиг. А.
- ▶ Завийте регулиращия винт 10, докато се усети леко съпротивление. Оттук насетне завийте още около един оборот и след това стегнете гайката с назъбка 11.

Почистване на стрижещата глава

- ▶ Стрижещата глава трябва да се почиства поне след няколко дни стригане или при замърсяване.
- ▶ Освободете и отстранете литиево-йонната акумулаторна батерия 21.
- ▶ Развийте двата винта 14, виж Фиг. В.
- ▶ С поглед към стрижещата глава завъртете същата на около 15° наляво и свалете от корпуса на двигателя.
- ▶ Свалете режещите пластини, виж Смяна на режещите пластини.
- ▶ Почистете щателно вътрешното пространство и отделните части на стрижещата глава с четка.
- ▶ Поставете и затегнете режещите пластини, виж Смяна на режещите пластини.
- ▶ Смажете зъбното колело, виж Смазване на зъбното колело.
- ▶ Поставете внимателно стрижещата глава върху двигателя. При това се уверете, че стрижещата глава е поставена така, че да бъде леко извъртяна на около 15° наляво, а долното краче да зацепва в жлеба на корпуса на двигателя.
- ▶ Смазване на стрижещата глава вижте Смазване на режещата глава

Допълнително шлифоване на режещите пластини

- ▶ За допълнителното шлифоване на режещите пластини се обърнете към отдела за техническо обслужване, вижте Техническо обслужване.

4.6 Съхранение

- ▶ Машината за стригане и режещите пластини трябва да се почистват добре преди прибиране за съхранение, вижте Обработка.
- ▶ Машината за стригане да се съхранява в сухо, тъмно и чисто помещение.

5. Режещи пластини

5.1 Режещи пластини, подходящи за стрижеща глава GT647 версия за говеда/GT657 версия за коне

Номер на артикул	Обозначение
GT501	Горна режеща пластина с 15 зъба
GT502	Долна режеща пластина с 31 зъба, височина на рязане 3 mm
GT503	Горна режеща пластина със 17 зъба
GT504	Долна режеща пластина с 18 зъба, височина на рязане 3 mm
GT505	Горна режеща пластина с 23 зъба
GT506	Долна режеща пластина с 23 зъба, височина на рязане 3 mm
GT508	Долна режеща пластина с 51 зъба, височина на рязане 1 mm
GT510	Като GT506, но височина на рязане 5 mm
GT511	Като GT502, но височина на рязане 1 mm

5.2 Препоръчителни комбинации

Комбинация	Горна/долна пластина	Подходяща за
С гъсти зъби	GT501/GT502	Говеда и коне (нормално оборудване)
	GT501/GT511	Индустриално стригане
	GT505/GT502	Коне и говеда – гладко стандартно стригане
	GT505/GT508	Коне, говеда (подстригване на вимето) и индустриално стригане
Със средни зъби	GT505/GT511	Коне и говеда – за много фино, гладко стригане
	GT505/GT506	Говеда, кучета и кози
С редки зъби	GT505/GT510	Кучета и кози
	GT503/GT504	Говеда, овце и овце с фина вълна

6. Обработка

6.1 Почистване/дезинфекция



Опасност от токов удар и пожар!

- ▶ Преди почистването:
 - Издърпайте мрежовия щекер от зарядното устройство.
 - Деблокирайте литиево-йонните акумулаторни батерии и ги отстранете от акумулаторната машинка за стригане на овце.
- ▶ Да не се използват горими и експлозивни почистващи и дезинфекционни средства.
- ▶ Уверете се, че в продукта не прониква течност.



Опасност от повреда или разрушаване на продукта в резултат на машинно почистване/дезинфектиране!

- ▶ Продуктът да се почиства/дезинфектира само ръчно.
- ▶ Никога не стерилизирайте продукта.



Възможни вреди по продукта в резултат на използвани неподходящи почистващи/дезинфектиращи средства!

- ▶ Одобрени за повърхностно почистване почистващи/дезинфекционни средства да се използват само по указание на производителя.
- ▶ Никога не поставяйте продукта във вода или почистващо средство.
- ▶ Не допускайте проникване на течност в отделенията за батериите.
- ▶ Почистете най-грижливо контактите в отделението за батерията.

- ▶ Избършете корпуса на продукта с невлакната кърпа, навлажнена с търговско обичайно средство за дезинфекция.
- ▶ При необходимост оберете остатъците от почистващото и дезинфектиращо средство след изтичане на времето им на въздействие с невлакната кърпа, навлажнена в чиста вода.
- ▶ За подсушаване използвайте чиста, невлакната кърпа.
- ▶ Почистете контактите в отделенията за батериите с изопропанол или етилов спирт и тампон. Да не се използват стимулиращи корозията химикали.
- ▶ При необходимост повторете почистването/дезинфектирането.

Aescular®

Акумулаторна машинка за стригане Bonim на едри животни

6.2 Контрол и проверка

- ▶ Оставете продукта да се охлади на стайна температура.
- ▶ След всяко почистване и дезинфектиране проверявайте за: чистота, функциониране и повреди.
- ▶ Проверявайте продукта за повреди, нестандартни шумове при работа, прегряване или прекалено силни вибрации.
- ▶ Следете режещата глава за счупени, повредени или затъпени резци.
- ▶ При повреда продуктът да се изключи незабавно.

7. Техническо обслужване

За да се гарантира надеждна експлоатация, Aescular препоръчва техническо обслужване **поне веднъж годишно**.

8. Откриване и отстраняване на грешки

8.1 Акумулаторна машинка за стригане Bonim

Повреда	Причина	Отстраняване
Акумулаторната машинка за стригане на овце не работи	Литиево-йонната акумулаторна батерия не е заредена	Заредете литиево-йонната акумулаторна батерия
	Дефектна литиево-йонната акумулаторна батерия	Използвайте нова литиево-йонната акумулаторна батерия
	Не се използва литиево-йонна акумулаторна батерия	Използвайте литиево-йонната акумулаторна батерия
Акумулаторната машинка за стригане спира по време на употреба	Литиево-йонната акумулаторна батерия е изключена чрез схемата за защита	Изключете и включете отново акумулаторната машинка за стригане на овце
	Литиево-йонната акумулаторна батерия е празна	Използвайте нова литиево-йонната акумулаторна батерия

8.2 Зарядно устройство и литиево-йонна акумулаторна батерия

Повреда	Откриване	Причина	Отстраняване
Зарядното устройство не работи	Светодиодният LED индикатор "Akku" не свети	Захранващият кабел не е включен	Включете захранващия кабел в контакта на захранващата мрежа
		Дефектен мрежови кабел	Оставете зарядното устройство на ремонт при производителя, виж Технически сервиз
	Литиево-йонната акумулаторна батерия не е заредена	Дефектна литиево-йонната акумулаторна батерия	Изпратете литиево-йонната акумулаторна батерия на производителя за ремонт вижте Техническо обслужване

Повреда	Откриване	Причина	Отстраняване
Литиево-йонната акумулаторна батерия не се зарежда	Литиево-йонната акумулаторна е вкарана в щепсела, но индикаторът за степента на зареждане не свети	Замърсени контакти на зарядното устройство	Почистете контактите в отделението за батерията, вижте Обработка
	-	Повредени контакти на зарядното устройство	Изпратете зарядното устройство на производителя за ремонт вижте Техническо обслужване
	-	Дефектна литиево-йонната акумулаторна батерия	Литиево-йонната акумулаторна батерия да се изпрати на производителя за ремонт вижте Техническо обслужване
	-	Дефектно зарядно устройство	Изпратете зарядното устройство на производителя за ремонт вижте Техническо обслужване
	-	По време на процеса на зареждане в литиево-йонната акумулаторна батерия се измерва прекалено висока температура	Извадете литиево-йонната акумулаторна батерия от отделението за батерията, оставете я да се охлади и повторете процеса на зареждане
	-	Неизправност при зареждане или дефектна литиево-йонна акумулаторна батерия	Извадете литиево-йонната акумулаторна батерия от отделението за батерията и повторете процеса на зареждане
			При повторна поява на неизправността: изпратете литиево-йонната акумулаторна батерия на производителя за ремонт вижте Техническо обслужване
			При повторна поява на неизправността: изпратете литиево-йонната акумулаторна батерия на производителя за ремонт вижте Техническо обслужване

9. Техническо обслужване



Опасност от нараняване и/или неизправност!

► Да не се предприемат изменения по продукта.

Адреси на сервиси

Albert Kerbl GmbH

Felizenzell 9

84428 Buchbach / Germany

Phone: +49 (0) 8086 933-100

Fax: +49 (0) 8086 933-500

E-mail: info@kerbl.com

www.kerbl.com

Адреси на други сервиси можете да получите на горепосочения адрес.

Изменения по това техническо оборудване могат да доведат до отпадане на гаранцията/гаранционните претенции, както и до отнемане на евентуални разрешения.

10. Принадлежности/резервни части

Номер на артикул	Обозначение	Модел	Литиево-йонна акумулаторна батерия	Зарядна станция, компл.	Принадлежности
GT644-BL	Bonum Версия за говеда / комплект с 1 акумулаторна батерия, синя	Европа освен Великобритания	GT641 (3INR19/66-1)	GT643 (LC40)	GT604 Специално масло за режещите пластини и режещата глава
GT646-BL	Bonum Версия за говеда / комплект с 2 акумулаторни батерии, синя				
GT654-RO	Bonum Версия за коне / комплект с 1 акумулаторна батерия, розова				
GT656-RO	Bonum Версия за коне / комплект с 2 акумулаторни батерии, розова				
GT654-BL	Bonum Версия за коне / комплект с 1 акумулаторна батерия, синя				
GT656-BL	Bonum Версия за коне / комплект с 2 акумулаторни батерии, синя				
GT644G-BL	Bonum Версия за говеда / комплект с 1 акумулаторна батерия, синя	Великобритания		GT643G (LC40)	GT605 Трансмисионната смазка (туба)
GT646G-BL	Bonum Версия за говеда / комплект с 2 акумулаторни батерии, синя				
GT654G-RO	Bonum Версия за коне / комплект с 1 акумулаторна батерия, розова				
GT656G-RO	Bonum Версия за коне / комплект с 2 акумулаторни батерии, розова				
GT654G-BL	Bonum Версия за коне / комплект с 1 акумулаторна батерия, синя				
GT656G-BL	Bonum Версия за коне / комплект с 2 акумулаторни батерии, синя				
GT644K-BL	Bonum Версия за говеда / комплект с 1 акумулаторна батерия, синя	САЩ		GT643K (LC40)	
GT646K-BL	Bonum Версия за говеда / комплект с 2 акумулаторни батерии, синя				
GT654K-RO	Bonum Версия за коне / комплект с 1 акумулаторна батерия, розова				
GT656K-RO	Bonum Версия за коне / комплект с 2 акумулаторни батерии, розова				
GT654K-BL	Bonum Версия за коне / комплект с 1 акумулаторна батерия, синя				
GT656K-BL	Bonum Версия за коне / комплект с 2 акумулаторни батерии, синя				
GT644A-BL	Bonum Версия за говеда / комплект с 1 акумулаторна батерия, синя	Австралия		GT643A (LC40)	
GT646A-BL	Bonum Версия за говеда / комплект с 2 акумулаторни батерии, синя				
GT654A-RO	Bonum Версия за коне / комплект с 1 акумулаторна батерия, розова				
GT656A-RO	Bonum Версия за коне / комплект с 2 акумулаторни батерии, розова				
GT654A-BL	Bonum Версия за коне / комплект с 1 акумулаторна батерия, синя				
GT656A-BL	Bonum Версия за коне / комплект с 2 акумулаторни батерии, синя				

11. Технически данни

11.1 Акумулаторна машинка за стригане **Wopim**

Честота на ходовете	макс. 2 500 1/min
Продължителност на хода с една литиево-йонна акумулаторна батерия	около 70 мин. до 80 мин.
Номинално напрежение	макс. 10,8 V
Капацитет	макс. 2 A
Тегло (с режеща глава и акумулаторна батерия)	950 g

11.2 Зарядно устройство **GT643 (LC40)**

Диапазони на мрежово напрежение (разход на електроенергия)	220 V до 240 V
Честота	50 Hz до 60 Hz
Зарядно напрежение/напрежение на изхода	макс. 10,8 V
Заряден ток/ток на изхода	макс. 2,3 A
Тегло (с кабел и захранващ блок)	360 g

11.3 Литиево-йонна акумулаторна батерия **GT621 (31NR19/66-1)**

Тип на клетките	Li
Номинално напрежение	10,8 V
Капацитет	2 Ah
Време за зареждане	около 53 мин.
Тегло	190 g
Маркировки за съответствие със стандарти	TÜV-Süd, TÜV NRTL (US-C), CE

11.4 Декларация за съответствие



Декларираме на собствена отговорност, че този продукт е в съответствие със следните стандарти и нормативни документи:

2004/108/ЕО Директива за електромагнитна съвместимост
DIN EN 60335-1
DIN EN 60335-2-8

Безопасност на електрически уреди за битова употреба и подобни цели

- Общи изисквания
- за машинки за подстригване

Aescular Suhl GmbH

12. Изхвърляне като отпадък

Електрическите инструменти, принадлежностите и опаковката трябва да се предават за екологосъобразно рециклиране.

12.1 Само за страни-членки на ЕС



Не изхвърляйте електрически инструменти заедно с битови отпадъци!

Съгласно европейската Директива 2012/19/ЕО относно отпадъци от електрическо и електронно оборудване (ОЕЕО) и нейното транспониране в националното право вече неизползвани електрически инструменти трябва да се събират отделно и да се предават за екологосъобразно рециклиране.

12.2 Литиево-йонна акумулаторна батерия

Не изхвърляйте литиево-йонни акумулаторни батерии заедно с битови отпадъци, в огън или вода. Дефектни и използвани литиево-йонни акумулаторни батерии трябва да се събират, рециклират или изхвърлят като отпадък по екологосъобразен начин в съответствие с Директива 2006/66/ЕО.

13. 2 години гаранция

Уважаеми клиенти,

Благодарим Ви, че избрахте продукт от нашата фирма.

Името Aescular от десетилетия е еталон за изпитано качество и първокласно сервизно обслужване. Ние предлагаме на своите клиенти иновативни продукти с превъзходни технически характеристики. Aescular произвежда висококачествени уреди и Ви гарантира използването на висококачествени материали и добросъвестно производство. Бихме желали да обърнем внимание на това, че ние не носим отговорност за дефекти на нашите продукти, причинени в резултат на неправилна употреба, нормално износване или неправилно използване, както и използване на неподходящи или неизправни продукти на други производители.

Части, които обичайно подлежат на износване и за които съответно ние не носим отговорност, са акумулаторната батерия и режещата глава. От гаранцията са изключени и дефекти, които не оказват или оказват незначително влияние върху стойността или функционирането.

В рамките на нашите гаранционни задължение ние си запазваме правото да ремонтираме или заменим продукта.

Aesculap®

Büyükbaş hayvanlar için akülü kırkma makinesi Bonum

Genel bakış

Poz.	Ürün no.	Tanım
1	GT647801	1 Oynar başlıklı gövde monte edildi
2	GT502	1 Alt kesme plakası
3	GT501	1 Üst kesme plakası (sığırlar için)
	GT505	1 Üst kesme plakası (atlar için)
4	GT610010	1 Sıkıştırma civatası
5	GT367201	1 Salıncak
6	GT367202	2 Kılavuz pim
7	TA008295	6 Salıncak yaprak yayı
8	GT610307	1 Yay tutucu
9	GT367207	2 Sabitleme civatası
10	GT640225	1 Ayar civatası
11	GT610405	2 Tırtıllı somun
12	GT640220	1 Dişli çarklı mil
13	GT610304	1 Sallanan takoz
14	TA010017	2 Civata, yıldız, M4 x 16
15	TA005091	2 Vida
16	GT367803	1 Mesafe parçası, sağ
17	GT367802	1 Mesafe parçası, sol
18	GT367804	1 Salıncak monte edildi
19	GT146	1 Torqui hassas ayarlama desteği
20	GT800249	1 Açma/kapama tuşu (LED'li)
21	GT641 (31NR19/66-1)	1 Li-Ion batarya
22	GT643 (LC40)	1 Şarj cihazı
a	-	1 Yağlama noktası akülü kırkma makinesi
b	-	1 Titreşim somunu
c	-	1 Basınç yatağı halkası
d	-	1 Yay rondela
e	-	1 Gövde kapağı
f	-	1 İtme çubuğu
g	-	1 Delikli yay
-	GT604	1 Kesme kafası ve kesme plakaları için özel yağ
	GT605	1 Dişli gresi (Tüp)

Üründeki simgeler



Dikkat, genel uyarı işareti
Dikkat, ürünle gelen belgeleri dikkate alınız



2012/19/AB (WEEE) direktifine göre elektrikli ve elektronik cihaz işaretlemesi, bkz. Atık bertarafı

İçindekiler

1.	Güvenli kullanım.....	195
2.	Cihazın tanımı.....	195
2.1	Ambalaj içeriği.....	195
2.2	Çalıştırmak için gerekli bileşenler.....	195
2.3	Kullanım amacı.....	195
2.4	Çalışma şekli.....	196
3.	Hazırlama.....	196
4.	Akülü kırkma makinesi, şarj cihazı ve Li-Ion batarya kullanımı.....	196
4.1	Hazır bulundurma.....	196
4.2	Çalışma kontrolü.....	196
4.3	Şarj cihazının bağlanması/Li-Ion bataryanın şarj edilmesi.....	197
4.4	Li-Ion bataryaların değiştirilmesi.....	198
4.5	Kesme kafası kullanımı.....	198
4.6	Muhafaza.....	200
5.	Kesme plakaları.....	200
5.1	GT647 kesme kafasına uygun kesme plakaları sığır modeli/GT657 at modeli.....	200
5.2	Önerilen kombinasyonlar.....	200
6.	Hazırlık.....	201
6.1	Temizlik/Dezenfeksiyon.....	201
6.2	Kontrol ve test.....	202
7.	Bakım.....	202
8.	Hataları tespit etmek ve gidermek.....	202
8.1	Akülü kırkma makinesi Bonum.....	202
8.2	Şarj cihazı ve Li-Ion batarya.....	202
9.	Teknik Servis.....	203
10.	Aksesuarlar/Yedek parçalar.....	204
11.	Teknik bilgiler.....	205
11.1	Akülü kırkma makinesi Bonum.....	205
11.2	Şarj aleti GT643 (LC40).....	205
11.3	Li-iyon akü GT621 (31NR19/66-1).....	205
11.4	Uygunluk beyanı.....	205
12.	Atık bertarafı.....	205
12.1	Yalnızca AB üyesi ülkeler için.....	205

12.2	Li-lon batarya	205
13.	2 yıl garanti	205

1. Güvenli kullanım



Elektrik çarpması sonucu hayati tehlike!

- ▶ Ürün gövdesini açmayın.
- ▶ Ürünü sadece topraklama iletkeni olan bir şebekeye bağlayınız.

- ▶ Ürünü kullanmadan önce çalışır ve usulüne uygun durumda olduğunu kontrol edin.
- ▶ Şarj aletini ve Li-iyon aküleri oda sıcaklığında muhafaza edin.
- ▶ Şarj cihazı ve Li-lon bataryaları kuru tutunuz.
- ▶ İlk kullanımdan önce Li-lon bataryayı şarj ediniz.
- ▶ Uygun olmayan kurulum ya da çalıştırma nedeniyle meydana gelebilecek hasarlardan kaçınmak ve garanti hizmetini ve sorumluluğu tehlikeye atmamak için:
 - Ürün sadece bu kullanım kılavuzu uyarınca kullanılmalıdır.
 - Güvenlik bilgilerine ve bakım-onarım talimatlarına uyun.
 - Sadece Aesculap ürünlerini birbiriyle kombine edilmelidir.
- ▶ Kullanım kılavuzunu kullanıcılar için erişilebilir bir şekilde muhafaza edin.
- ▶ Geçerli standartlara mutlaka uyunuz.
- ▶ Odanın elektrik tesisatının IEC şartlarına uygun olmasını sağlayınız.
- ▶ Şebeke bağlantılarını daima fişten tutarak çekiniz, hiçbir zaman kablodan çekmeyiniz.
- ▶ Ürünü patlama tehlikesi olan alanlarda kullanmayınız.
- ▶ Hasarlı ya da arızalı bir ürünü kullanmayınız. Ürün hasarlıysa derhal kullanımdan kaldırınız.

2. Cihazın tanımı

2.1 Ambalaj içeriği

Ürün no.	Adı
GT640-BL	Bonum sığırlar için büyük hayvan kırkma makinesi, mavi
GT640-RO	Bonum atlar için büyük hayvan kırkma makinesi, pembe
GT641 (31NR19/66-1)	Li-lon batarya
GT643 (LC40)	Şebeke bağlantı kablosu (cihaz fişi ile) dahil şarj aleti
TA015304	Kullanım talimatı
TA009222	Tornavida
GT604	Yağ şişesi

2.2 Çalıştırmak için gerekli komponentler

- Akülü kırkma makinesi Bonum
- Şarj cihazı
- Şebeke bağlantı kablosu (cihaz fişi ile)
- Li-lon batarya

2.3 Kullanım amacı

Akülü kırkma makinesi Bonum

Akülü kırkma makinesi Bonum sığır, at ve büyük köpekler gibi büyük hayvanların kırılmasında kullanılır.

Şarj aleti GT643 (LC40)/Li-iyon akü GT641 (31NR19/66-1)

Şarj aleti GT643 (LC40) Li-iyon akünün GT641 (31NR19/66-1) şarj edilmesi için kullanılır.

Aesculap®

Büyükbaş hayvanlar için akülü kırkma makinesi Bonum

2.4 Çalışma şekli

Akülü kırkma makinesi Bonum

Akülü kırkma makinesi Bonum açma/kapama tuşu **20** ile açılır ve kapatılır.

Not

Makinenin yanlışlıkla açılması veya kapatılmasını önlemek için Açma/Kapama tuşu basıldıktan ancak >0,5 saniye sonra yanıt verir.

Şarj aleti GT643 (LC40)/Li-iyon akü GT641 (31NR19/66-1)

Şarj aleti GT643 (LC40) 220 V ila 240 V ve 50 Hz ila 60 Hz şebeke gerilim alanı için tasarlanmıştır.

Çalışmaya hazır olmasını sağlamak için şarj cihazı GT643 (LC40) şebeke fişiyle besleme şebekesine bağlanır.

Şarj aleti GT643 (LC40) bir şarj yuvasına sahiptir.

Li-iyon akünün şarj istasyonuna takılmasıyla şarj işlemi otomatik olarak başlatılır.

Şarj süresi şarj durumuna ve Li-Ion bataryanın kapasitesine bağlıdır.

Şarj ilkesi

Li-Ion bataryalar sabit akım impulslarıyla şarj edilir.

Li-Ion bataryanın şarj durumu, şarj sırasında denetlenir. Şarj eğrisinin kontrolü sayesinde aşırı yüklemeye oluşmaksızın %100 şarj işlemi garanti edilmektedir.

Ek olarak batarya sıcaklığı ve şarj süresi de denetlenir.

Li-Ion bataryanın şarj durumu göstergesi **f** 5 LED'e sahiptir. Her LED şarj hacminin % 20sine tekabül eder. Batarya şarj edilirken ilgili şarj durumunun LED'i yanıp-söner. Tüm LED'ler sürekli olarak yandığında batarya tamamen dolmuş demektir.

Şarj süresi

Maksimum şarj süresine erişildiğinde şarj işlemi kesilir. Şarj süresi yakl. 53 dakikadır.

3. Hazırlama

Aşağıdaki kurallara uyulmadığında, Aesculap hiç bir sorumluluk üstlenmez.

- ▶ Ürünün kurulumunda ve işletiminde uyulması gerekenler:
 - Ulusal kurulum ve işletmecisi yönetmelikleri,
 - Ulusal yangın ve patlama emniyeti ile ilgili kurallar,
 - IEC/VDE hükümleri uyarınca uygulama bilgileri.

4. Akülü kırkma makinesi, şarj cihazı ve Li-Ion batarya kullanımı

4.1 Hazır bulundurma

Aksesuar bağlama

Kullanım kılavuzunda adı geçmeyen aksesuar kombinasyonları, öngörülen uygulama için öngörülmüş oldukları bilhassa belirtilmiyorsa, kullanılamaz. Performans özellikleri ve güvenlik şartları olumsuz etkilenmemelidir.

4.2 Çalışma kontrolü

Akülü kırkma makinesi Bonum

- ▶ Görsel kontrol gerçekleştirin.
- ▶ Li-iyon aküyü **21** makine shaftına yerine oturana kadar itin.
- ▶ İşletim göstergesi **d** şarj durumunu gösterir.

Not

Li-Ion bataryanın makine kullanılmadığında boşalmasını önlemek için Li-Ion bataryanın akülü kırkma makinesi kumandasıyla olan elektronik bağlantısı 1 saat sonra kesilir.

- ▶ Li-Ion bataryanın **38** yeniden etkinleştirilmesi: Butona **g** basınız, bkz. Şekil E.
Şarj durum göstergesinin **f** tüm LED'leri yanar.

Şarj cihazı/Li-lon batarya

- ▶ Görsel kontrol gerçekleştirin.
- ▶ Ürünü besleme şebekesine bağlamadan önce:
 - Şebeke bağlantı kablosunu olası hasar konusunda kontrol ediniz.
 - Ürünü olası hasarlar konusunda kontrol ediniz (ör. şarj yuvası kontaklarının eğilip eğilmediğini kontrol ediniz).
- ▶ Şebeke fişini besleme şebekesinin prizine sokun.
- ▶ Li-iyon aküyü 21 şarj cihazının şarj yuvasına takın ve şarj edin, bkz. Şekil F.

4.3 Şarj cihazının bağlanması/Li-lon bataryanın şarj edilmesi



UYARI

Kutuplarda sıvı veya metal parçalar nedeniyle oluşan kısa devrede yangın tehlikesi!

- ▶ Li-lon bataryaya kısa devre yaptırmayınız.



UYARI

Hasarlı şebeke bağlantı kablosu nedeniyle yaralanma tehlikesi!

- ▶ Şebeke bağlantı kablosunu hasar bakımından kontrol ediniz.
- ▶ Hasarlı şebeke bağlantı kablosunu üreticisinden değiştiriniz.



UYARI

Hasarlı Li-lon batarya nedeniyle yaralanma ve hasar tehlikesi!

- ▶ Li-lon bataryayı şarj etmeden önce hasar konusunda kontrol ediniz.
- ▶ Hasarlı Li-lon bataryayı kullanmayınız veya şarj etmeyiniz.



DİKKAT

Uzun süre depolama, boşalan Li-lon bataryanın kapasitesinde /gücünde kayba yol açar!

- ▶ Li-lon bataryayı uzun süreli olarak yalnızca tam dolu durumda muhafaza ediniz ve ayda bir kez tekrar şarj ediniz.



DİKKAT

Ürün arızası, şarj yuvası ya da Li-lon batarya; yanlış batarya tipinin şarj yuvasına sokulmasıyla oluşur!

- ▶ Li-lon bataryayı yalnızca buna uygun şarj yuvası içine takınız.

Not

İşletime almadan önce tip levhasında belirtilen şebeke gerilimi ve şebeke frekansının güç kaynağı verilerine uygun olması sağlanmalıdır. Şarj aletinin bağlanması sırasında en az maks. 30 mA F tipi kaçak akım koruma şalteri kullanılması önerilir.

Not

Bu şarj cihazı, 8 yaşın üstündeki çocuklar ve fiziksel, duysal veya ruhsal açıdan sınırlı yeteneklere sahip veya deneyim ve/veya bilgi eksikliği olan kişiler tarafından, güvenliklerinden sorumlu kişilerce gözetim altında oldukları durumlarda veya cihazın nasıl kullanılacağı ve kullanımından doğabilecek tehlikeler konularında bilgilendirildikleri ve bunları anladıkları durumlarda kullanılabilir.

- ▶ Çocuklar cihazla oynamamalıdır.
- ▶ Şarj cihazının temizlik ve bakımı çocuklar tarafından yapılacaksa, bu mutlaka gözetim altında yapılmalıdır.

Aesculap®

Büyükbaş hayvanlar için akülü kırkma makinesi Bonum

Not

Li-lon batarya şarj işlemi sırasında hafif ısınır.

Not

Şarj cihazı kullanılmadığı zamanlarda şebeke bağlantı kablosunun prizden çekilmesi gerekir.

- ▶ Li-iyon akülerin şarj edilmesi için sadece Aesculap GT643 (LC40) şarj aletini kullanın.
- ▶ Şarj aletinin 22 elektrik fişini takın. İşletim göstergesi d'nin LED'i ve uyarı göstergesi e'nin LED'i yakl. 1 saniye sırayla yanar, bkz. Şekil F.
- ▶ Li-iyon aküyü 21 dayanma noktasına kadar şarj aletinin 22 şarj yuvasına takın, bkz. Şekil F. İşletim göstergesi d'nin LED'i yanıp söner ve Li-iyon akü 21 şarj edilir. İşletim göstergesi d'nin LED'i sürekli yanarsa Li-iyon akü tamamen şarj edilmiştir.

4.4 Li-lon bataryaların değiştirilmesi

- ▶ Akülü kırkma makinesini g, gevşetirken Li-iyon akünün 21 aşağı düşmesini önlemek için kesme kafası aşağı gelecek şekilde tutun, bkz. Şekil 1.
- ▶ Akü kilidini f başparmağınızla açın.



Şekil 1

- ▶ Li-iyon aküyü 21 çıkartın, şarj edin ve/veya şarj edilmiş yedek Li-iyon aküyü GT641 (31NR19/66-1) akülü kırkma makinesine g itin, bkz. Şekil 2.



Şekil 2

4.5 Kesme kafası kullanımı

Kesme kafasının yağlanması



Yanlış yağlama sonucunda kırkma makinesinin veya kesme kafasının zarar görmesi!

- ▶ Kesme kafasını yalnızca makine çalışırken yağlayınız.
- ▶ Makine ve kesme kafasını sıvı içine daldırmayınız.
- ▶ Yalnızca hafif yağlama yağı GT604 kullanınız.

- ▶ Yağlama noktasının üzerindeki kesme kafasını a her hayvandan önce yeteri kadar yağlayın, bkz. Şekil A.
- ▶ Yaprak yayları 7 günde 2-3 defa 3-4 damla yağ ile yağlayın, bkz. Şekil C.

Dişlinin greslenmesi



Yanlış gresleme sonucunda kırkma makinesinin veya dişlinin zarar görmesi!

- ▶ Yalnızca dişli yağı GT605 kullanınız.
- ▶ Dişliyi her kırkma sezonunda 1-2 defa gresleyiniz.

- ▶ Li-iyon akü 21 kilidini açın ve çıkartın.
- ▶ Her iki civatayı 14 sökünüz, bkz. Şekil B.
- ▶ Kesme kafasına doğru bakarken bunun yakl. 15° sola çeviriniz ve motor gövdesini alınız.
- ▶ Dişlinin 12 karşı tarafındaki iki noktaya yakl. 1 cm gres sürünüz, bkz. Şekil C.
- ▶ Kesme kafasını dikkatli bir şekilde motor üstüne takın. Bu sırada kesme kafasının yakl. 15° sola çevrilmiş halde takılmasına ve burnunun motor gövdesinin kanalı içine girmesine dikkat edin.

Kesme plakalarının değiştirilmesi

- ▶ Li-iyon akü 21 kilidini açın ve çıkartın.
- ▶ Tırtıllı somunu 11 gevşetin ve ayar civatasını 10 yakl. 2 tur dışarı döndürünüz, bkz. Şekil A.
- ▶ Her iki sıkıştırma vidasını 4 gevşetin, alt kesme plakasını 2 öne doğru çekin ve üst kesme plakasını 3 çıkarın, bkz. Şekil A ve Şekil E.
- ▶ Üst kesme plakasını 3 yerleştirmeden önce sallanan takozların 13 salıncakta 5 bunun için öngörülen girintide bulunmasını sağlayın, bkz. E.
- ▶ Üst kesme plakasını 3 takın. Bu sırada salıncak 5 her iki ucunun b tam olarak üst kesme plakasının 3 deliklerine c geçmesini sağlayın, bkz. D.
- ▶ Sıkıştırma vidalarının 4 kafalarının altındaki alt kesme plakasını 2 dayanma noktasına kadar oynar başlıklı gövdeye itin ve her iki sıkma vidasını 4 sıkın.
- ▶ Ayar civatasını 10 her iki kesme plakası hafifçe birbirine baskı uygulayana kadar döndürünüz, bkz. Şekil A.

Kesme makinesinin temizlenmesi

- ▶ Kesme kafasını en az birkaç kırkma gününden sonra veya kirlenme halinde temizleyiniz.
- ▶ Li-lon batarya 38 kilidini açınız ve çıkartınız.
- ▶ Her iki civatayı 6 sökünüz, bkz. Şekil B.
- ▶ Kesme kafasına doğru bakarken bunun yakl. 15° sola çeviriniz ve motor gövdesini alınız.
- ▶ Kesme plakalarını alınız, bkz. Kesme plakalarının değiştirilmesi.
- ▶ Kesme kafasının iç bölmesini ve parçalarını bir fırça veya kıl fırça ile temizleyiniz.
- ▶ Kesme plakalarını takınız ve sıkınız, bkz. Kesme plakalarının değiştirilmesi.
- ▶ Dişliyi gresleyiniz, bkz. Dişlinin greslenmesi.
- ▶ Kesme kafasını dikkatli bir şekilde motor üstüne takınız. Bu sırada kesme kafasının yakl. 15° sola çevrilmiş halde takılmasına ve burnunun motor gövdesinin kanalı içine girmesine dikkat ediniz.
- ▶ Kesme kafasını yağlayınız, bkz. Kesme kafasının yağlanması.

Plaka basıncını hassas ayarlama desteği GT146 ile ayarlama (opsiyonel olarak temin edilebilir)

Not

Üretici plaka basıncının optimum şekilde ayarlanması için hassas ayar desteği GT146'yı önerir.

- ▶ Hassas ayar yardımı GT146'yı 19 ayar civatasının 10 2 deliğine takın

Not

2 deliği olmayan eski kesme kafalarının tırtıllı vidaları ayar civatası GT147 ile sonradan donatılabilir.

Aesculap®

Büyükbaş hayvanlar için akülü kırkma makinesi Bonum

Plaka baskısının ayarlanması

Not

Plaka baskısı ayar işlemi makine çalışırken ve ek bir alet kullanılmadan yapılmalıdır.

Not

Plaka basıncı çok yüksek olması ısınmanın yüksek olmasına ve kesme plakalarının daha çok aşınmasına neden olur.

- ▶ Tırtıllı somunu 11 gevşetin ve ayar civatasını 10 dikkatli bir şekilde üst kesme plakası 3 alt kesme plakasına 2 bastırmayacak şekilde dışarı çevirin (ince ses tonu), bkz. Şekil A.
- ▶ Ayar civatasını 10 hafif bir direnç hissedilene kadar içeri çevirin. Buradan itibaren yakl. bir tur döndürün ve sonra tırtıllı somunu 11 sıkın.

Kesme kafasının temizlenmesi

- ▶ Kesme kafasını en az birkaç kırkma gününden sonra veya kirlenme halinde temizleyin.
- ▶ Li-iyon akünün 21 kilidini açın ve çıkartın.
- ▶ Her iki civatayı 14 dışarı çevirin, bkz. Şekil B.
- ▶ Kesme kafasına doğru bakarken bunun yakl. 15° sola çevirin ve motor gövdesini alın.
- ▶ Kesme plakalarını çıkarın, bkz. kesme plakaları değişimi.
- ▶ Kesme kafasının iç bölmesini ve parçalarını bir fırça veya kıl fırça ile temizleyin.
- ▶ Kesme plakalarını yerleştirin ve sıkın, bkz. kesme plakaları değişimi.
- ▶ Dişli çarkı yağlayın, bkz. dişli çarkı yağlama.
- ▶ Kesme kafasını dikkatli bir şekilde motor üstüne takın. Bu sırada kesme kafasının yakl. 15° sola çevrilmiş halde takılmasına ve burnunun motor gövdesinin kanalı içine girmesine dikkat edin.
- ▶ Kesme kafasının yağlanması bkz. Kesme kafasının yağlanması

Kesme plakalarının bilenmesi

- ▶ Kesme plakalarının bilenmesi için teknik servise başvurunuz, bkz. Teknik Servis.

4.6 Muhafaza

- ▶ Kesme makinesini ve kesme plakalarını depolamadan önce iyice temizleyiniz, bkz. Hazırlık.
- ▶ Kesme makinesini kuru, karanlık ve temiz bir odada depolayınız.

5. Kesme plakaları

5.1 GT647 kesme kafasına uygun kesme plakaları sığır modeli/GT657 at modeli

Ürün no.	Adı
GT501	15 dişli üst kesme plakası
GT502	31 dişli alt kesme plakası, 3 mm kesme yüksekliğinde
GT503	17 dişli üst kesme plakası
GT504	18 dişli alt kesme plakası, 3 mm kesme yüksekliğinde
GT505	23 dişli üst kesme plakası
GT506	23 dişli alt kesme plakası, 3 mm kesme yüksekliğinde
GT508	51 dişli alt kesme plakası, 1 mm kesme yüksekliğinde
GT510	GT506 gibi, fakat kesme yüksekliği 5 mm
GT511	GT502 gibi, fakat kesme yüksekliği 1 mm

5.2 Önerilen kombinasyonlar

Kombinasyon	Üst/alt plaka	Uygunluk
Sık dişli	GT501/GT502	Sığır ve atlar (normal donanım)
	GT501/GT511	Endüstriyel kesici
	GT505/GT502	At ve sığırlar - düz standart kesim
	GT505/GT508	Atlar, sığırlar (hayvan memesi kesici başlığı) ve endüstriyel kesici
Orta dişli	GT505/GT506	At ve sığırlar - çok düzgün, düz kırkma
	GT505/GT510	Sığırlar, köpekler ve keçiler
Geniş dişli	GT505/GT510	At ve keçiler
	GT503/GT504	Sığırlar, koyunlar ve ince yünlü koyunlar

6. Hazırlık

6.1 Temizlik/Dezenfeksiyon



TEHLİKE

Elektrik çarpması ve yangın tehlikesi!

- ▶ **Temizlikten önce:**
 - Şebeke fişini şarj cihazından çekiniz.
 - Li-Ion batarya kilidini açınız ve akülü kırkma makinesinden çıkartınız.
- ▶ **Yanabilir ve patlayıcı temizleme ve dezenfeksiyon maddeleri kullanmayın.**
- ▶ **Ürüne hiçbir sıvının sızmasını sağlayınız.**



DİKKAT

Makineyle temizleme/dezenfeksiyon nedeniyle ürünün hasar görmesi ya da tahrip olması tehlikesi!

- ▶ **Ürünü sadece manüel temizleyiniz/dezenfekte ediniz.**
- ▶ **Ürünü hiçbir zaman sterilize etmeyiniz.**



DİKKAT

Uygun olmayan temizleme/dezenfeksiyon maddeleri nedeniyle üründe hasar tehlikesi!

- ▶ **Üretici bilgilerine uygun olarak, yüzey temizliği için izin verilen temizlik/dezenfeksiyon maddeleri kullanın.**
- ▶ **Ürünü kesinlikle su ya da temizlik maddesi içine sokmayınız.**
- ▶ **Şarj kanallarının içine sıvı madde dökmeyiniz.**
- ▶ **Şarj yuvasındaki kontakları azami özenle temizleyiniz.**

- ▶ Ürün gövdesini tüy bırakmayan bir bezle ve piyasada silerek dezenfeksiyon sağlayan bir deterjanla nemlendirilmiş halde siliniz.
- ▶ İhtiyaç halinde temizlik ve dezenfeksiyon maddelerinin kalıntılarını bunların tesir sürelerinin dolmasından sonra temiz suyla nemlendirilmiş bir tiftiksiz bezle siliniz.
- ▶ Kurutmak için temiz ve tiftiksiz bir bez kullanınız.
- ▶ Şarj kanallarının içindeki temasları izopropanol ya da etil alkolle ve bir ucu pamuklu çubukla temizleyiniz. Korozyona yol açan kimyasal maddeler kullanmayınız.
- ▶ Gerekliyse, temizlik/dezenfeksiyon işlemini tekrarlayınız.

Aesculap®

Büyükbaş hayvanlar için akülü kırkma makinesi Bonum

6.2 Kontrol ve test

- ▶ Ürünün oda sıcaklığına soğumasını bekleyiniz.
- ▶ Her temizlik, dezenfeksiyon ve kurutmadan sonra üründe aşağıdaki hususları kontrol ediniz: Temizlik, fonksiyon kontrolü ve hasar durumu.
- ▶ Üründe hasarlar, düzensiz çalışma sesleri, aşırı ısınma ya da aşırı titreşim olup olmadığını kontrol ediniz.
- ▶ Kesme kafasında kırılmış, hasar görmüş ve kör kesiciler olup olmadığını kontrol ediniz.
- ▶ Ürün hasarlıysa derhal kullanımdan kaldırınız.

7. Bakım

Güvenli bir kullanım olmasını sağlamak için Aesculap yılda en az bir kez bakım yapılmasını tavsiye ediyor.

8. Hataları tespit etmek ve gidermek

8.1 Akülü kırkma makinesi Bonum

Arıza	Nedeni	Çözüm
Akülü kırkma makinesi çalışmıyor	Li-lon bataryanın şarjı yok	Li-lon bataryayı şarj ediniz
	Li-lon batarya arızalı	Yeni Li-lon batarya takınız
	Li-lon batarya takılı değil	Li-lon bataryayı takınız
Akülü kırkma makinesi çalışırken birden duruyor	Li-lon bataryanın koruma devresi kapattı	Akülü kırkma makinesini kapatıp açınız
	Li-lon batarya boş	Yeni Li-lon batarya takınız

8.2 Şarj cihazı ve Li-lon batarya

Arıza	Teşhis	Nedeni	Çözüm
Şarj cihazı çalışmıyor	"Batarya" LED göstergesi yanmıyor	Şebeke bağlantı hattı sokulmamış	Şebeke bağlantı kablosunu besleme ağının prizine takın
		Li-lon bataryanın şarjı yok	Şarj aletini üreticide onarıma gönderin, bkz. teknik servis
		Li-lon batarya arızalı	Li-lon bataryayı onarım için üreticiye gönderiniz, bkz. Teknik Servis

Arıza	Teşhis	Nedeni	Çözüm
Li-Ion batarya şarj edilmiyor	Li-Ion batarya takılı, şarj durumu göstergesi yanmıyor	Şarj cihazının temasları kirlenmiş	Şarj yuvasındaki kontak yüzeylerini temizleyiniz, bkz. Hazırlık
	-	Şarj cihazı kontaklar hasarlı	Şarj cihazını üreticide tamir ettiriniz, bkz. Teknik Servis
	-	Li-Ion batarya arızalı	Li-Ion bataryayı onarım için üreticiye gönderiniz, bkz. Teknik Servis
	-	Şarj cihazı arızalı	Şarj cihazını üreticide tamir ettiriniz, bkz. Teknik Servis
	-	Şarj işlemi sırasında Li-Ion bataryada çok yüksek sıcaklık ölçülüyor	Li-Ion bataryayı şarj yuvasından alınız, soğumaya bırakınız ve şarj işlemini yineleyiniz Arıza tekrar ettiğinde: Aküde yeniden arıza meydana gelirse onu üreticide tamir ettiriniz, bkz. Teknik Servis
	-	Şarj arızası veya Li-Ion batarya arızalı	Li-Ion bataryayı şarj yuvasından alınız ve şarj işlemini yineleyiniz Arıza tekrar ettiğinde: Aküde yeniden arıza meydana gelirse onu üreticide tamir ettiriniz, bkz. Teknik Servis

9. Teknik Servis



Yaralanma tehlikesi ve/veya hatalı fonksiyon tehlikesi!

► Üründe değişiklik yapmayın.

Bu teknik teçhizatın modifikasyon yapılması garanti haklarının ve ruhsatın geçerliliğinin ortadan kalkmasına neden olabilir.

Servis adresleri

Albert Kerbl GmbH

Felizenzell 9

84428 Buchbach / Germany

Phone: +49 (0) 8086 933-100

Fax: +49 (0) 8086 933-500

E-mail: info@kerbl.com

www.kerbl.com

Diğer servis adreslerini yukarıda yazılı adresten öğrenebilirsiniz.

Aesculap®

Büyükbaş hayvanlar için akülü kırkma makinesi Bonum

10. Aksesuarlar/Yedek parçalar

Ürün no.	Adı	Tasarım	Li-iyon akü	Şarj istasyonu komple	Aksesuarlar
GT644-BL	Bonum sığır modeli / 1 akülü set, mavi	Büyük Britanya hariç Avrupa	GT641 (31NR19/66-1)	GT643 (LC40)	GT604 Kesme plakaları ve kesme kafası için özel yağ
GT646-BL	Bonum sığır modeli / 2 akülü set, mavi				
GT654-RO	Bonum at modeli / 1 akülü set, pembe				
GT656-RO	Bonum at modeli / 2 akülü set, pembe				
GT654-BL	Bonum at modeli / 1 akülü set, mavi				
GT656-BL	Bonum at modeli / 2 akülü set, mavi				
GT644G-BL	Bonum sığır modeli / 1 akülü set, mavi	Büyük Britanya		GT643G (LC40)	
GT646G-BL	Bonum sığır modeli / 2 akülü set, mavi				
GT654G-RO	Bonum at modeli / 1 akülü set, pembe				
GT656G-RO	Bonum at modeli / 2 akülü set, pembe				
GT654G-BL	Bonum at modeli / 1 akülü set, mavi				
GT656G-BL	Bonum at modeli / 2 akülü set, mavi				
GT644K-BL	Bonum sığır modeli / 1 akülü set, mavi	ABD		GT643K (LC40)	
GT646K-BL	Bonum sığır modeli / 2 akülü set, mavi				
GT654K-RO	Bonum at modeli / 1 akülü set, pembe				
GT656K-RO	Bonum at modeli / 2 akülü set, pembe				
GT654K-BL	Bonum at modeli / 1 akülü set, mavi				
GT656K-BL	Bonum at modeli / 2 akülü set, mavi				
GT644A-BL	Bonum sığır modeli / 1 akülü set, mavi	Avustralya		GT643A (LC40)	
GT646A-BL	Bonum sığır modeli / 2 akülü set, mavi				
GT654A-RO	Bonum at modeli / 1 akülü set, pembe				
GT656A-RO	Bonum at modeli / 2 akülü set, pembe				
GT654A-BL	Bonum at modeli / 1 akülü set, mavi				
GT656A-BL	Bonum at modeli / 2 akülü set, mavi				

11. Teknik bilgiler

11.1 Akülü kırkma makinesi Bonum

Strok sayısı	maks. 2 500 dev/dak
Bir Li-Ion batarya ile çalışma süresi	yakl. 70 dak ila 80 dak
Nominal voltaj	maks. 10,8 V
Kapasite	maks. 2 A
Ağırlık (kesme kafası ve batarya dahil)	950 gr

11.2 Şarj aleti GT643 (LC40)

Şebeke gerilim aralığı (güç girişi)	220 V ila 240 V
Frekans	50 Hz ila 60 Hz
Şarj/Çıkış Gerilimi	maks. 10,8 V
Şarj/Çıkış akımı	maks. 2,3 A
Ağırlık (kablo ve şebeke adaptörü dahil)	360 gr

11.3 Li-iyon akü GT621 (31NR19/66-1)

Akü hücre tipi	Li
Nominal gerilim	10,8 V
Kapasite	2 Ah
Şarj süresi	yakl. 53 dak
Ağırlık	190 gr
Kontrol işareti	TÜV-Süd, TÜV NRTL (US-C), CE

11.4 Uygunluk beyanı



İşbu belgeyle, münferiden sorumlu olarak, bu ürünün aşağıdaki normlara ve norm teşkil eden dokümanlara uygun olduğunu beyan ederiz:

2004/108/AT EMU Direktifi:

DIN EN 60335-1

DIN EN 60335-2-8

Ev ve benzeri yerlerde kullanılan elektrikli cihazların güvenliği

– Genel gereksinimler

– yün kesme makineleri için

Aesculap Suhl GmbH

12. Atık bertarafı

Elektrikli aletler, aksesuar ve ambalaj çevreye uygun bir geri dönüşüm merkezine teslim edilmelidir.

12.1 Yalnızca AB üyesi ülkeler için



Elektrikli aletleri normal ev çöpüne atmayınız! Elektrikli ve Elektronik Eski Cihazlar Hakkında 2012/19/AB sayılı Avrupa Direktifi'ne ve uyarlanan ilgili ulusal mevzuata göre, artık kullanılmayan haldeki elektrikli cihazların ayrı bir şekilde toplanması ve çevreye zarar vermeyecek şekilde geri dönüşüm sistemine teslim edilmesi zorunludur.

12.2 Li-Ion batarya

Li-Ion bataryaları ev çöpüne, ateşe veya suya atmayınız. Arızalı veya kullanılmış Li-Ion bataryalar 2006/66/AT direktifine göre toplanması, geri dönüşüme tabi tutulması veya çevreye zarar vermeyecek şekilde bertaraf edilmesi gerekir.

13. 2 yıl garanti

Sayın müşterimiz,

Firmamızın bir ürününü tercih ettiğiniz için teşekkür ederiz.

Aesculap adı onlarca yıldır kontrol edilmiş kalite ve birinci sınıf servisle anılmaktadır. Müşterilerimize inovatif ve güçlü ürünler sunuyoruz. Aesculap yüksek kaliteli cihazlar üretir ve yüksek kaliteli malzemelerle özenli bir üretim sürecinde imal edilen ürünleri kullanmanızı sağlar. Ürünlerimizde yanlış kullanım, normal aşınma veya ürünün amacına aykırı kullanılması ya da uygun olmayan veya sorunsuz olmayan yabancı ürünlerin kullanılması sonucu oluşan kusurlar görülmesi halinde bunlara ilgili mesul tutulamayacağımızı hatırlatmak istiyoruz.

Tipik olarak aşınmaya tabi olan ve bu nedenle mesuliyetimizin bulunmadığı parçalar batarya ve kesme kafasıdır. Aynı şekilde değerine veya işlevine etki etmeyen veya yalnızca önemsiz oranda etki eden kusurlar da kapsam dışıdır.

Mesuliyetimiz çerçevesinde mesul bulunmamız halinde, ürünü onarma veya değiştirme hakkımız saklıdır.

Επαναφορτιζόμενη κουρευτική μηχανή μεγάλων ζώων Bonum

Επισκόπηση

Θέση	Αρ. πρ.	Ονομασία
1	GT647801	1 Περιβλήμα κοπτικής κεφαλής συναρμολογημένο
2	GT502	1 Κάτω πλάκα κοπής
3	GT501	1 Επάνω πλάκα κοπής (για βοοειδή)
	GT505	1 Επάνω πλάκα κοπής (για άλογα)
4	GT610010	1 Βίδα σύσφιξης
5	GT367201	1 Ταλαντωτής
6	GT367202	2 Πείρος οδήγησης
7	TA008295	6 Έλασμα ελατηρίου ταλάντωσης
8	GT610307	1 Γέφυρα ελατηρίου
9	GT367207	2 Βίδα στερέωσης
10	GT640225	1 Βίδα ρύθμισης
11	GT610405	2 Ραβδωτό παξιμάδι
12	GT640220	1 Άξονας με γρανάζι
13	GT610304	1 Κύβος ταλάντωσης
14	TA010017	2 Βίδα, φρεζάτη, M4 x 16
15	TA005091	2 Βίδα
16	GT367803	1 Αποστατικό εξάρτημα, δεξιά
17	GT367802	1 Αποστατικό εξάρτημα, αριστερά
18	GT367804	1 Ταλαντωτής συναρμολογημένος
19	GT146	1 Βοήθημα ρύθμισης ακριβείας Torqui
20	GT800249	1 Πλήκτρο on/off (με λυχνία LED)
21	GT641	1 Επαναφορτιζόμενη μπαταρία ιόντων λιθίου (3INR19/66-1)
22	GT643 (LC40)	1 Φορτιστής
a	-	1 Σημείο λίπανσης επαναφορτιζόμενης κουρευτικής μηχανής
b	-	1 Ασφάλεια κινητού βραχίονα
c	-	1 Δακτύλιος εδράνου ώσης
d	-	1 Γκρόβερ
e	-	1 Καπάκι περιβλήματος
f	-	1 Ράβδος πίεσης
g	-	1 Ελατήριο με κρίκο

Θέση	Αρ. πρ.	Ονομασία
-	GT604	1 Ειδικό λάδι για την κοπτική κεφαλή και τις πλάκες κοπής
	GT605	1 Γράσο οδοντωτών τροχών (Tube)

Σύμβολα στο προϊόν



Προσοχή, γενικό προειδοποιητικό σήμα
Προσοχή, λαμβάνετε υπόψη τα συνοδευτικά έγγραφα



Σήμανση ηλεκτρικών και ηλεκτρονικών συσκευών σύμφωνα με την οδηγία 2012/19/ΕΕ (ΑΗΗΕ), βλ. Απορριμματική διαχείριση

Πίνακας περιεχομένων

1.	Ασφαλής χειρισμός	207
2.	Περιγραφή συσκευής	207
2.1	Παραδοτέος εξοπλισμός	207
2.2	Απαιτούμενα για τη λειτουργία στοιχεία	207
2.3	Σκοπός χρήσης	207
2.4	Τρόπος λειτουργίας	208
3.	Προετοιμασία	208
4.	Χρήση επαναφορτιζόμενης κουρευτικής μηχανής, φορτιστή και επαναφορτιζόμενης μπαταρίας ιόντων λιθίου	208
4.1	Προετοιμασία	208
4.2	Έλεγχος λειτουργίας	208
4.3	Σύνδεση φορτιστή/φόρτιση επαναφορτιζόμενης μπαταρίας ιόντων λιθίου	209
4.4	Αντικατάσταση επαναφορτιζόμενης μπαταρίας ιόντων λιθίου	210
4.5	Χειρισμός της κοπτικής κεφαλής	210
4.6	Αποθήκευση	212
5.	Πλάκες κοπής	212
5.1	Πλάκες κοπής κατάλληλες για την κοπτική κεφαλή GT647 για βοοειδή / GT657 για άλογα	212
5.2	Συνιστώμενοι συνδυασμοί	212
6.	Καθαρισμός	213
6.1	Καθαρισμός/απολύμανση	213
6.2	Επιθεώρηση και έλεγχος	214
7.	Συντήρηση	214
8.	Αναγνώριση και αντιμετώπιση σφαλμάτων	214
8.1	Επαναφορτιζόμενη κουρευτική μηχανή Bonum	214
8.2	Φορτιστής και επαναφορτιζόμενη μπαταρία ιόντων λιθίου	215

9.	Τμήμα τεχνικής υποστήριξης	216
10.	Πρόσθετα εξαρτήματα/ανταλλακτικά	217
11.	Τεχνικά χαρακτηριστικά	218
11.1	Επαναφορτιζόμενη κουρευτική μηχανή Bonum	218
11.2	Φορτιστής GT643 (LC40)	218
11.3	Επαναφορτιζόμενη μπαταρία ιόντων λιθίου GT621 (31NR19/66-1)	218
11.4	Δήλωση συμμόρφωσης	218
12.	Απορριμματική διαχείριση	218
12.1	Μόνο για χώρες της ΕΕ	218
12.2	Επαναφορτιζόμενη μπαταρία ιόντων λιθίου	218
13.	Εγγύηση 2 ετών	219

1. Ασφαλής χειρισμός



Κίνδυνος για τη ζωή από ηλεκτροπληξία!

- ▶ Μην ανοίγετε το προϊόν.
- ▶ Συνδέετε το προϊόν μόνο σε ένα δίκτυο τροφοδοσίας με αγωγό γείωσης.

- ▶ Πριν από τη χρήση του προϊόντος ελέγχετε τη λειτουργικότητα και την κανονική κατάσταση.
- ▶ Φυλάσσετε τον φορτιστή και τις επαναφορτιζόμενες μπαταρίες ιόντων λιθίου σε θερμοκρασία δωματίου.
- ▶ Διατηρείτε τον φορτιστή και τις επαναφορτιζόμενες μπαταρίες ιόντων λιθίου στεγνές.
- ▶ Πριν από την πρώτη χρήση φορτίζετε τις επαναφορτιζόμενες μπαταρίες ιόντων λιθίου.
- ▶ Για την αποφυγή ζημιών από την ακατάλληλη διάταξη ή λειτουργία και προκειμένου να μην τίθενται σε κίνδυνο η εγγύηση και η αστική ευθύνη:
 - Χρησιμοποιείτε το προϊόν μόνο σύμφωνα με τις παρούσες οδηγίες χρήσης.
 - Τηρείτε τις πληροφορίες ασφαλείας και τις υποδείξεις συντήρησης.
 - Συνδυάζετε μεταξύ τους μόνο προϊόντα Aescular.
- ▶ Φυλάσσετε τις οδηγίες χρήσης σε χώρο στον οποίο έχει πρόσβαση ο χρήστης.
- ▶ Τηρείτε τα ισχύοντα πρότυπα.
- ▶ Εξακριβώστε αν η ηλεκτρική εγκατάσταση του χώρου πληροί τις απαιτήσεις του προτύπου IEC.
- ▶ Αποσυνδέετε τις συνδέσεις δικτύου τραβώντας το βύσμα της συσκευής και ποτέ τραβώντας από το καλώδιο.
- ▶ Μην χρησιμοποιείτε το προϊόν σε χώρους όπου υφίσταται κίνδυνος έκρηξης.
- ▶ Μην χρησιμοποιείτε ένα φθαρμένο ή κατεστραμμένο προϊόν. Διαχωρίστε αμέσως το προϊόν από άλλα προϊόντα εάν έχει υποστεί ζημιές.

2. Περιγραφή συσκευής

2.1 Παραδοτέος εξοπλισμός

Αρ. πρ.	Ονομασία
GT640-BL	Κουρευτική μηχανή μεγάλων ζώων Bonum για βοοειδή, μπλε
GT640-RO	Κουρευτική μηχανή μεγάλων ζώων Bonum για άλογα, ροζ
GT641 (31NR19/66-1)	Επαναφορτιζόμενη μπαταρία ιόντων λιθίου
GT643 (LC40)	Φορτιστής με καλώδιο σύνδεσης στο δίκτυο ρεύματος (με βύσμα συσκευής)
TA015304	Οδηγίες χρήσης
TA009222	Κατσαβίδι
GT604	Φιάλη λαδιού

2.2 Απαιτούμενα για τη λειτουργία στοιχεία

- Επαναφορτιζόμενη κουρευτική μηχανή Bonum
- Φορτιστής
- Καλώδιο σύνδεσης στο δίκτυο ρεύματος (με βύσμα συσκευής)
- Επαναφορτιζόμενη μπαταρία ιόντων λιθίου

2.3 Σκοπός χρήσης

Επαναφορτιζόμενη κουρευτική μηχανή Bonum

Η επαναφορτιζόμενη κουρευτική μηχανή Bonum χρησιμοποιείται για το κούρεμα μεγάλων ζώων όπως βοοειδή, άλογα και μεγάλοι σκύλοι.

Φορτιστής GT643 (LC40) / Επαναφορτιζόμενη μπαταρία ιόντων λιθίου GT641 (31NR19/66-1)

Ο φορτιστής GT643 (LC40) χρησιμοποιείται για τη φόρτιση της επαναφορτιζόμενης μπαταρίας ιόντων λιθίου GT641 (31NR19/66-1).

Aescular®

Επαναφορτιζόμενη κουρευτική μηχανή μεγάλων ζώων Bonum

2.4 Τρόπος λειτουργίας

Επαναφορτιζόμενη κουρευτική μηχανή Bonum

Η επαναφορτιζόμενη κουρευτική μηχανή Bonum ενεργοποιείται και απενεργοποιείται με το πλήκτρο on/off **20**.

Υπόδειξη

Για να αποφύγετε την ακούσια ενεργοποίηση/απενεργοποίηση της μηχανής, το πλήκτρο on/off αντιδρά μετά από πάτημα >0,5 s.

Φορτιστής GT643 (LC40)/Επαναφορτιζόμενη μπαταρία ιόντων λιθίου GT641 (3INR19/66-1)

Ο φορτιστής GT643 (LC40) είναι σχεδιασμένος για ένα εύρος τάσης δικτύου από 220 V έως 240 V και από 50 Hz έως 60 Hz.

Για να υπάρχει ετοιμότητα λειτουργίας ο φορτιστής GT643 (LC40) συνδέεται με το φως του καλωδίου δικτύου στο δίκτυο τροφοδοσίας.

Ο φορτιστής GT643 (LC40) διαθέτει εσοχή φόρτισης.

Συνδέοντας τις επαναφορτιζόμενες μπαταρίες ιόντων λιθίου στον σταθμό φόρτισης ξεκινάει αυτόματα η διαδικασία φόρτισης.

Ο χρόνος φόρτισης εξαρτάται από την κατάσταση φόρτισης και τη χωρητικότητα των επαναφορτιζόμενων μπαταριών ιόντων λιθίου.

Αρχή φόρτισης

Οι επαναφορτιζόμενες μπαταρίες ιόντων λιθίου φορτίζονται με σταθερούς παλμούς ρεύματος.

Η κατάσταση φόρτισης της επαναφορτιζόμενης μπαταρίας ιόντων λιθίου παρακολουθείται κατά τη διαδικασία φόρτισης. Παρακολουθώντας την καμπύλη φόρτισης, διασφαλίζεται η φόρτιση 100 % χωρίς υπερφόρτιση.

Επιπλέον, παρακολουθείται η θερμοκρασία της επαναφορτιζόμενης μπαταρίας και ο χρόνος φόρτισης.

Η ένδειξη της κατάστασης φόρτισης **f** της επαναφορτιζόμενης μπαταρίας ιόντων λιθίου έχει 5 λυχνίες LED. Κάθε λυχνία LED αναπαριστά το 20 % του όγκου φόρτισης. Εάν η επαναφορτιζόμενη μπαταρία βρίσκεται σε διαδικασία φόρτισης, τότε αναβοσβήνει η λυχνία LED της εκάστοτε κατάστασης φόρτισης. Όταν ανάβουν διαρκώς όλες οι λυχνίες LED, τότε η επαναφορτιζόμενη μπαταρία έχει φορτίσει πλήρως.

Χρόνος φόρτισης

Όταν επιτευχθεί ο μέγιστος χρόνος φόρτισης, τότε διακόπτεται η διαδικασία φόρτισης. Ο χρόνος φόρτισης είναι περ. 53 min.

3. Προετοιμασία

Εάν δεν τηρηθούν οι παρακάτω προδιαγραφές, η εταιρεία Aescular δεν αναλαμβάνει καμία ευθύνη.

- ▶ Κατά την τοποθέτηση και τη λειτουργία του προϊόντος τηρείτε:
 - τις προδιαγραφές εγκατάστασης και χρήστη της χώρας σας,
 - τις προδιαγραφές πυροπροστασίας και αντιακρηκτικής προστασίας της χώρας σας,
 - τις υποδείξεις χρήσης σύμφωνα με τις απαιτήσεις IEC-/VDE.

4. Χρήση επαναφορτιζόμενης κουρευτικής μηχανής, φορτιστή και επαναφορτιζόμενης μπαταρίας ιόντων λιθίου

4.1 Προετοιμασία

Σύνδεση πρόσθετων εξαρτημάτων

Συνδυασμοί πρόσθετων εξαρτημάτων που δεν αναφέρονται στις οδηγίες χρήσης επιτρέπεται να χρησιμοποιούνται μόνο εφόσον προορίζονται ρητά για την προβλεπόμενη εφαρμογή. Δεν πρέπει να υποβαθμίζονται τα χαρακτηριστικά απόδοσης ούτε οι απαιτήσεις ασφαλείας.

4.2 Έλεγχος λειτουργίας

Επαναφορτιζόμενη κουρευτική μηχανή Bonum

- ▶ Εκτελείτε οπτικό έλεγχο.
- ▶ Σπρώξτε την επαναφορτιζόμενη μπαταρία ιόντων λιθίου **21** στην εσοχή της μηχανής, μέχρι να ασφαλίσει.
- ▶ Η ένδειξη λειτουργίας **d** δείχνει την κατάσταση φόρτισης.

Υπόδειξη

Για να αποφύγετε την εκφόρτιση της επαναφορτιζόμενης μπαταρίας ιόντων λιθίου, όταν δεν χρησιμοποιείται η μηχανή, διακόπτεται η ηλεκτρονική σύνδεση της επαναφορτιζόμενης μπαταρίας ιόντων λιθίου με το σύστημα ελέγχου της επαναφορτιζόμενης κουρευτικής μηχανής μετά από 1 ώρα.

- ▶ Ενεργοποιήστε ξανά την επαναφορτιζόμενη μπαταρία ιόντων λιθίου **38**: Πατήστε το πλήκτρο **g**, βλ. Εικ. E.
Ανάβουν όλες οι λυχνίες LED της ένδειξης κατάστασης φόρτισης **f**.

Φορτιστής/Επαναφορτιζόμενη μπαταρία ιόντων λιθίου

- ▶ Εκτελείτε οπτικό έλεγχο.
- ▶ Πριν από τη σύνδεση του προϊόντος στο δίκτυο τροφοδοσίας:
 - Ελέγξτε το καλώδιο σύνδεσης στο δίκτυο ρεύματος για πιθανές ζημιές.
 - Ελέγξτε το προϊόν για πιθανές ζημιές (π. χ. ελέγξτε τις επαφές της εσοχής φόρτισης για παραμορφώσεις).
- ▶ Συνδέστε το φινιρίσμα του καλωδίου δικτύου στην πρίζα του δικτύου τροφοδοσίας.
- ▶ Τοποθετήστε και φορτίστε την επαναφορτιζόμενη μπαταρία ιόντων λιθίου 21, βλ. Εικ. F.



Απώλεια της χωρητικότητας/ικανότητας απόδοσης της εκφορτισμένης επαναφορτιζόμενης μπαταρίας ιόντων λιθίου από παρατεταμένη φύλαξη!

- ▶ Αν η επαναφορτιζόμενη μπαταρία ιόντων λιθίου πρόκειται να αποθηκευτεί για μεγάλο χρονικό διάστημα, τότε αποθηκεύστε την πλήρως φορτισμένη και φορτίστε τη μία φορά τον μήνα.

4.3 Σύνδεση φορτιστή/φόρτιση επαναφορτιζόμενης μπαταρίας ιόντων λιθίου



Κίνδυνος πυρκαγιάς σε περίπτωση βραχυκυκλώματος των πόλων από υγρά ή μεταλλικά εξαρτήματα!

- ▶ Μην βραχυκυκλώνετε την επαναφορτιζόμενη μπαταρία ιόντων λιθίου.



Κίνδυνος τραυματισμού από κατεστραμμένο καλώδιο σύνδεσης στο δίκτυο ρεύματος!

- ▶ Ελέγξτε το καλώδιο σύνδεσης στο δίκτυο ρεύματος πριν από τη φόρτιση για ζημιές.
- ▶ Αναθέστε την αντικατάσταση του κατεστραμμένου καλωδίου σύνδεσης στο δίκτυο ρεύματος στον κατασκευαστή.



Κίνδυνος τραυματισμού και υλικών ζημιών από κατεστραμμένη επαναφορτιζόμενη μπαταρία ιόντων λιθίου!

- ▶ Ελέγξτε την επαναφορτιζόμενη μπαταρία ιόντων λιθίου πριν από τη φόρτιση για ζημιές.
- ▶ Μην χρησιμοποιείτε και να μην φορτίζετε κατεστραμμένες επαναφορτιζόμενες μπαταρίες ιόντων λιθίου.



Καταστροφή του προϊόντος, της εσοχής φόρτισης ή της επαναφορτιζόμενης μπαταρίας ιόντων λιθίου από τοποθέτηση λάθος τύπου βύσματος στην εσοχή φόρτισης!

- ▶ Τοποθετείτε την επαναφορτιζόμενη μπαταρία ιόντων λιθίου μόνο στην προβλεπόμενη εσοχή φόρτισης.

Υπόδειξη

Πριν από τη θέση σε λειτουργία πρέπει να διασφαλιστεί ότι η τάση και η συχνότητα δικτύου, που αναγράφονται στην πινακίδα τύπου, συμφωνούν με τα στοιχεία του ηλεκτρικού δικτύου. Κατά τη σύνδεση του φορτιστή συνιστάται να χρησιμοποιείτε τουλάχιστον διακόπτης διαρροής τύπου F με ρεύμα απεμπλοκής έως 30 mA.

Υπόδειξη

Ο φορτιστής μπορεί να χρησιμοποιηθεί από παιδιά ηλικίας μεγαλύτερης των 8 ετών, καθώς και από άτομα με μειωμένες φυσικές, αισθητηριακές ή ψυχικές ικανότητες, εφόσον επιτηρούνται από κάποιο άτομο ή έχουν ενημερωθεί για την ασφαλή χρήση της συσκευής και για τους κινδύνους που μπορεί να προκύψουν.

- ▶ Μην αφήνετε τα παιδιά να παίζουν με τη συσκευή.
- ▶ Μην αφήνετε τα παιδιά να καθαρίζουν και να συντηρούν τον φορτιστή χωρίς την επιτήρηση.

Aescular®

Επαναφορτιζόμενη κουρευτική μηχανή μεγάλων ζώων Bonum

Υπόδειξη

Η επαναφορτιζόμενη μπαταρία ιόντων λιθίου θερμαίνεται ελαφρώς κατά τη διαδικασία φόρτισης.

Υπόδειξη

Όταν δεν χρησιμοποιείτε τον φορτιστή, τότε πρέπει να αποσυνδέετε το καλώδιο σύνδεσης στο δίκτυο ρεύματος από την πρίζα.

- ▶ Χρησιμοποιείτε μόνο τον φορτιστή GT643 (LC40) Aescular για τη φόρτιση των επαναφορτιζόμενων μπαταριών ιόντων λιθίου.
- ▶ Τοποθετήστε το φικ του καλωδίου δικτύου του φορτιστή 22. Η λυχνία LED της ένδειξης λειτουργίας d και η λυχνία LED της προειδοποιητικής ένδειξης e ανάβουν διαδοχικά για περ. 1 δευτερόλεπτο, βλ. Εικ. F.
- ▶ Τοποθετήστε την επαναφορτιζόμενη μπαταρία ιόντων λιθίου 21 μέχρι τέρμα στην εσοχή φόρτισης του φορτιστή 22, βλ. Εικ. F. Η λυχνία LED της ένδειξης λειτουργίας d αναβοσβήνει και η επαναφορτιζόμενη μπαταρία ιόντων λιθίου 21 φορτίζεται. Αν η λυχνία LED της ένδειξης λειτουργίας d είναι συνεχώς αναμμένη, η επαναφορτιζόμενη μπαταρία ιόντων λιθίου έχει φορτίσει πλήρως.

4.4 Αντικατάσταση επαναφορτιζόμενης μπαταρίας ιόντων λιθίου

- ▶ Κρατάτε την επαναφορτιζόμενη κουρευτική μηχανή g με την κοπτική κεφαλή προς τα κάτω, ώστε η επαναφορτιζόμενη μπαταρία ιόντων λιθίου 21 να μην πέσει κάτω κατά την αποσύνδεση, βλ. Εικ. 1.
- ▶ Λύστε την ασφάλεια της επαναφορτιζόμενης μπαταρίας f με τον αντίχειρα.



Εικ. 1

- ▶ Αφαιρέστε την επαναφορτιζόμενη μπαταρία ιόντων λιθίου 21 τραβώντας την προς τα έξω, φορτίστε ή/και σπρώξτε τη φορτισμένη επαναφορτιζόμενη μπαταρία ιόντων λιθίου αντικατάστασης GT641 (31NR19/66-1) στην επαναφορτιζόμενη κουρευτική μηχανή g, βλ. Εικ. 2.



Εικ. 2

4.5 Χειρισμός της κοπτικής κεφαλής

Λίπανση κοπτικής κεφαλής



ΠΡΟΣΟΧΗ

Ζημιά στην κουρευτική μηχανή ή στην κοπτική κεφαλή από λάθος λίπανση!

- ▶ Λιπαίνετε την κοπτική κεφαλή μόνο με τη μηχανή σε λειτουργία.
- ▶ Μην βυθίζετε τη μηχανή και την κοπτική κεφαλή σε υγρά.
- ▶ Χρησιμοποιείτε μόνο το ελαφρύ λάδι λίπανσης GT604.

- ▶ Λιπαίνετε καλά την κοπτική κεφαλή μέσω του σημείου λίπανσης a πριν από κάθε ζώο, βλ. Εικ. A.
- ▶ Λιπαίνετε τα ελάσματα του ελατηρίου 7 2-3 φορές καθημερινά με 3-4 σταγόνες λαδιού, βλ. Εικ. C.

Γρασάρισμα οδοντωτού τροχού



Ζημιά στην κουρευτική μηχανή ή στον οδοντωτό τροχό από λάθος γρασάρισμα!

- ▶ Χρησιμοποιείτε μόνο γράσο οδοντωτών τροχών GT605.
- ▶ Γρασάρετε τον οδοντωτό τροχό 1-2 φορές την περίοδο κουρέματος.

- ▶ Απασφαλίστε και αφαιρέστε την επαναφορτιζόμενη μπαταρία ιόντων λιθίου 21.
- ▶ Ξεβιδώστε και τις δύο βίδες 14, βλ Εικ. Β.
- ▶ Κοιτώντας την κοπτική κεφαλή, στρίψτε τις περ. 15° προς τα αριστερά και αφαιρέστε τις από το περίβλημα κινητήρα.
- ▶ Επαλείψτε με περ. 1 cm γράσου δύο απέναντι σημεία του οδοντωτού τροχού 12, βλ Εικ. C.
- ▶ Τοποθετήστε προσεκτικά την κοπτική κεφαλή στον κινητήρα. Φροντίστε σε αυτή την εργασία η κοπτική κεφαλή να τοποθετηθεί στραμμένη περ. 15° προς τα αριστερά και το κάτω άκρο να πιάνει στο παξιμάδι του περιβλήματος κινητήρα.

Αντικατάσταση πλακών κοπής

- ▶ Απασφαλίστε και αφαιρέστε την επαναφορτιζόμενη μπαταρία ιόντων λιθίου 21.
- ▶ Λύστε το ραβδωτό παξιμάδι 11 και ξεβιδώστε τη βίδα ρύθμισης 10 κατά περ. 2 περιστροφές, βλ Εικ. Α.
- ▶ Λύστε τις δύο βίδες σύσφιξης 4, αφαιρέστε την κάτω πλάκα κοπής 2 προς τα εμπρός και βγάλτε την επάνω πλάκα κοπής 3, βλ Εικ. Α και Εικ. Ε.
- ▶ Πριν από την τοποθέτηση της επάνω πλάκας κοπής 3 διασφαλίστε ότι ο κύβος ταλάντωσης 13 βρίσκεται στη σχετική εσοχή του ταλαντωτή 5, βλ Εικ. Ε.
- ▶ Τοποθετήστε την επάνω πλάκα κοπής 3. Κατά τη διαδικασία αυτή διασφαλίστε ότι οι δύο μύτες b του ταλαντωτή 5 κουμπώνουν ακριβώς στις οπές c της επάνω πλάκας κοπής 3, βλ Εικ. D.
- ▶ Σπρώξτε την κάτω πλάκα κοπής 2 κάτω από τις κεφαλές των βιδών σύσφιξης 4 μέχρι τέρμα στο περίβλημα κοπτικής κεφαλής και σφίξτε τις δύο βίδες σύσφιξης 4.
- ▶ Βιδώστε τη βίδα ρύθμισης 10, μέχρι οι δύο πλάκες κοπής να πιέζουν ελαφρώς η μία την άλλη, βλ Εικ. Α.

Καθαρισμός κοπτικής κεφαλής

- ▶ Καθαρίζετε την κοπτική κεφαλή τουλάχιστον μετά από μερικές ημέρες κουρέματος ή όταν λερωθεί.
- ▶ Απασφαλίστε και αφαιρέστε την επαναφορτιζόμενη μπαταρία ιόντων λιθίου 38.
- ▶ Ξεβιδώστε και τις δύο βίδες 6, βλ Εικ. Β.
- ▶ Κοιτώντας την κοπτική κεφαλή, στρίψτε τις περ. 15° προς τα αριστερά και αφαιρέστε τις από το περίβλημα κινητήρα.
- ▶ Αφαιρέστε τις πλάκες κοπής βλ. Αντικατάσταση πλακών κοπής.
- ▶ Καθαρίστε τον εσωτερικό χώρο και τα μεμονωμένα μέρη της κοπτικής κεφαλής με μια βούρτσα ή ένα πινέλο.
- ▶ Τοποθετήστε και στερεώστε τις πλάκες κοπής, βλ. Αντικατάσταση πλακών κοπής.
- ▶ Γρασάρετε τον οδοντωτό τροχό, βλ. Γρασάρισμα οδοντωτού τροχού.
- ▶ Τοποθετήστε προσεκτικά την κοπτική κεφαλή στον κινητήρα. Φροντίστε σε αυτή την εργασία η κοπτική κεφαλή να τοποθετηθεί στραμμένη περ. 15° προς τα αριστερά και το κάτω άκρο να πιάνει στο παξιμάδι του περιβλήματος κινητήρα.
- ▶ Λιπάνετε την κοπτική κεφαλή, βλ. Λίπανση κοπτικής κεφαλής.

Ρύθμιση πίεσης πλακών με το βοήθημα ρύθμισης ακριβείας GT146 (διατίθεται προαιρετικά)

Υπόδειξη

Ο κατασκευαστής συνιστά για τη βέλτιστη ρύθμιση της πίεσης των πλακών το βοήθημα ρύθμισης ακριβείας GT146.

- ▶ Τοποθετήστε το βοήθημα ρύθμισης ακριβείας GT146 19 στις 2 οπές της βίδας ρύθμισης 10.

Υπόδειξη

Στις ραβδωτές βίδες παλιότερων κοπτικών κεφαλών, που δεν έχουν 2 οπές, μπορεί να τοποθετηθεί εκ των υστέρων βίδα ρύθμισης GT147.

Aesculap®

Επαναφορτιζόμενη κουρευτική μηχανή μεγάλων ζώων Bonum

Ρύθμιση πίεσης πλακών

Υπόδειξη

Η ρύθμιση της πίεσης πλακών πρέπει να πραγματοποιείται με τη μηχανή σε λειτουργία και χωρίς βοηθητικά εργαλεία.

Υπόδειξη

Η πολύ υψηλή πίεση πλακών οδηγεί σε υψηλότερη θέρμανση και σε μεγαλύτερη φθορά των πλακών κοπής.

- ▶ Λύστε το ραβδωτό παξιμάδι **11** και ξεβιδώστε προσεκτικά τη βίδα ρύθμισης **10**, μέχρι η επάνω πλάκα κοπής **3** να μην μπορεί πλέον να πιεστεί στην κάτω πλάκα κοπής **2** (ήπιος ήχος λειτουργίας), βλ. Εικ. Α.
- ▶ Βιδώστε τη βίδα ρύθμισης **10**, μέχρι να νιώσετε ελαφριά αντίσταση. Από το σημείο αυτό βιδώστε ακόμα κατά περ. μία περιστροφή και στη συνέχεια σφίξτε το ραβδωτό παξιμάδι **11**.

Καθαρισμός κοπτικής κεφαλής

- ▶ Καθαρίζετε την κοπτική κεφαλή τουλάχιστον μετά από μερικές ημέρες κουρέματος ή όταν λερωθεί.
- ▶ Απασφαλίστε και αφαιρέστε την επαναφορτιζόμενη μπαταρία ιόντων λιθίου **21**.
- ▶ Ξεβιδώστε και τις δύο βίδες **14**, βλ. Εικ. Β.
- ▶ Κοιτώντας την κοπτική κεφαλή, στρίψτε τις περ. 15° προς τα αριστερά και αφαιρέστε τις από το περίβλημα κινητήρα.
- ▶ Αφαιρέστε τις πλάκες κοπής, βλέπε "Αντικατάσταση πλακών κοπής".
- ▶ Καθαρίστε τον εσωτερικό χώρο και τα μεμονωμένα μέρη της κοπτικής κεφαλής με μια βούρτσα ή ένα πινέλο.
- ▶ Τοποθετήστε και σφίξτε τις πλάκες κοπής, βλέπε "Αντικατάσταση πλακών κοπής".
- ▶ Λιπάνετε το γρανάζι, βλέπε "Λίπανση γραναζιού".
- ▶ Τοποθετήστε προσεκτικά την κοπτική κεφαλή στον κινητήρα. Φροντίστε σε αυτή την εργασία η κοπτική κεφαλή να τοποθετηθεί στραμμένη περ. 15° προς τα αριστερά και το κάτω άκρο να πιάνει στο παξιμάδι του περιβλήματος κινητήρα.
- ▶ Λίπανση κοπτικής κεφαλής βλ. Λίπανση κοπτικής κεφαλής

Λείανση πλακών κοπής

- ▶ Για τη λείανση των πλακών κοπής απευθυνθείτε στο Τμήμα τεχνικής υποστήριξης, βλ. Τμήμα τεχνικής υποστήριξης.

4.6 Αποθήκευση

- ▶ Καθαρίστε καλά την κουρευτική μηχανή και τις πλάκες κοπής πριν από τη φύλαξη, βλ. Καθαρισμός.
- ▶ Αποθηκεύετε την κουρευτική μηχανή σε στεγνό, σκοτεινό και καθαρό χώρο.

5. Πλάκες κοπής

5.1 Πλάκες κοπής κατάλληλες για την κοπτική κεφαλή GT647 για βοοειδή / GT657 για άλογα

Αρ. πρ.	Ονομασία
GT501	Επάνω πλάκα κοπής με 15 δόντια
GT502	Κάτω πλάκα κοπής με 31 δόντια, ύψος κοπής 3 mm
GT503	Επάνω πλάκα κοπής με 17 δόντια
GT504	Κάτω πλάκα κοπής με 18 δόντια, ύψος κοπής 3 mm
GT505	Επάνω πλάκα κοπής με 23 δόντια
GT506	Κάτω πλάκα κοπής με 23 δόντια, ύψος κοπής 3 mm
GT508	Κάτω πλάκα κοπής με 51 δόντια, ύψος κοπής 1 mm
GT510	Σαν την GT506, αλλά με ύψος κοπής 5 mm
GT511	Σαν την GT502, αλλά με ύψος κοπής 1 mm

5.2 Συνιστώμενοι συνδυασμοί

Συνδυασμός	Επάνω/Κάτω πλάκα	Κατάλληλη για
Πυκνή οδό- ντωση	GT501/GT502	Βοοειδή και άλογα (κανονικός εξοπλισμός)
	GT501/GT511	Βιομηχανικό κούρεμα
	GT505/GT502	Βοοειδή και άλογα – τυπικό κούρεμα
	GT505/GT508	Άλογα, βοοειδή (κούρεμα μαστού) και βιομηχανικό κούρεμα
Οδόντωση μεσαίας πυκνό- τητας	GT505/GT506	Βοοειδή, σκύλοι και κατσίκια
	GT505/GT510	Σκύλοι και κατσίκια
Αραιή οδό- ντωση	GT503/GT504	Βοοειδή, πρόβατα και λεπτό- τριχα πρόβατα

6. Καθαρισμός

6.1 Καθαρισμός/απολύμανση



ΚΙΝΔΥΝΟΣ

Κίνδυνος ηλεκτροπληξίας και πυρκαγιάς!

- ▶ Πριν από τον καθαρισμό:
 - Τραβήξτε το φινι του καλωδίου δικτύου από τον φορτιστή.
 - Απασφαλίστε την επαναφορτιζόμενη μπαταρία ιόντων λιθίου και αφαιρέστε την από την επαναφορτιζόμενη κουρευτική μηχανή.
- ▶ Μην χρησιμοποιείτε εύφλεκτα ή εκρηκτικά απορρυπαντικά και απολυμαντικά.
- ▶ Φροντίζετε ώστε να μην διεισδύσει υγρό στο προϊόν.



ΠΡΟΣΟΧΗ

Πρόκληση ζημιών ή καταστροφή του προϊόντος από μηχανικό καθαρισμό/μηχανική απολύμανση!

- ▶ Καθαρίζετε/απολυμαίνετε το προϊόν αποκλειστικά με το χέρι.
- ▶ Μην αποστειρώνετε ποτέ το προϊόν.



ΠΡΟΣΟΧΗ

Ζημιές στο προϊόν από ακατάλληλα προϊόντα καθαρισμού/απολύμανσης!

- ▶ Χρησιμοποιείτε εγκεκριμένα προϊόντα καθαρισμού/απολύμανσης για καθαρισμό μεγάλων επιφανειών σύμφωνα με τις οδηγίες του προμηθευτή.
- ▶ Μην τοποθετείτε ποτέ το προϊόν στο νερό ή στο προϊόν καθαρισμού.
- ▶ Να μην εισέρχεται υγρό στις εσοχές φόρτισης.
- ▶ Καθαρίζετε τις επαφές στην εσοχή φόρτισης με μεγάλη προσοχή.

- ▶ Σκουπίστε το περίβλημα του προϊόντος με ένα πανί χωρίς χνούδια, το οποίο έχετε νοτίσει με προϊόν του εμπορίου για απολύμανση.
- ▶ Αν υπάρχει ανάγκη σκουπίστε κατάλοιπα του καθαριστικού ή απολυμαντικού μέσου μετά τον χρόνο δράσης του με ένα καθαρό πανί χωρίς χνούδια που το έχετε βουτήξει σε νερό.
- ▶ Για το στέγνωμα χρησιμοποιείτε ένα καθαρό πανί χωρίς χνούδια.
- ▶ Καθαρίζετε τις επαφές στις εσοχές φόρτισης με ισοπροπανόλη ή αιθυλική αλκοόλη και μια μπατονέτα. Μην χρησιμοποιείτε διαβρωτικά χημικά.
- ▶ Εάν είναι απαραίτητο επαναλαμβάνετε καθαρισμό/απολύμανση.

Aescular®

Επαναφορτιζόμενη κουρευτική μηχανή μεγάλων ζώων Bonum

6.2 Επιθεώρηση και έλεγχος

- ▶ Αφήνετε το προϊόν να κρυώσει σε θερμοκρασία χώρου.
- ▶ Μετά από κάθε ολοκληρωμένο καθαρισμό και απολύμανση ελέγχετε το προϊόν για: Καθαρότητα, λειτουργία και ζημιές.
- ▶ Ελέγχετε το προϊόν για ζημιές, ασυνήθιστους θορύβους λειτουργίας, υπερβολική θέρμανση ή υπερβολικές δονήσεις.
- ▶ Ελέγχετε την κοπτική κεφαλή για σπασμένες, κατεστραμμένες και αμβλείες άκρες.
- ▶ Διαχωρίστε αμέσως το προϊόν από άλλα προϊόντα εάν έχει υποστεί ζημιές.

7. Συντήρηση

Για τη διασφάλιση της αξιόπιστης λειτουργίας, η Aescular συνιστά μια συντήρηση **τουλάχιστον μία φορά ετησίως**.

8. Αναγνώριση και αντιμετώπιση σφαλμάτων

8.1 Επαναφορτιζόμενη κουρευτική μηχανή Bonum

Βλάβη	Αιτία	Αντιμετώπιση
Η επαναφορτιζόμενη κουρευτική μηχανή δεν ξεκινά	Η επαναφορτιζόμενη μπαταρία ιόντων λιθίου δεν έχει φορτίσει	Φορτίστε την επαναφορτιζόμενη μπαταρία ιόντων λιθίου
	Ελαττωματική επαναφορτιζόμενη μπαταρία ιόντων λιθίου	Αντικαταστήστε την επαναφορτιζόμενη μπαταρία ιόντων λιθίου
	Η επαναφορτιζόμενη μπαταρία ιόντων λιθίου δεν χρησιμοποιείται	Χρησιμοποιήστε την επαναφορτιζόμενη μπαταρία ιόντων λιθίου
Η επαναφορτιζόμενη κουρευτική μηχανή παραμένει στάσιμη ενώ βρίσκεται σε λειτουργία	Η επαναφορτιζόμενη μπαταρία ιόντων λιθίου απενεργοποιείται από το κύκλωμα προστασίας	Απενεργοποιήστε και ενεργοποιήστε την επαναφορτιζόμενη κουρευτική μηχανή
	Η επαναφορτιζόμενη μπαταρία ιόντων λιθίου είναι άδεια	Αντικαταστήστε την επαναφορτιζόμενη μπαταρία ιόντων λιθίου

8.2 Φορτιστής και επαναφορτιζόμενη μπαταρία ιόντων λιθίου

Βλάβη	Αναγνώριση	Αιτία	Αντιμετώπιση
Ο φορτιστής δεν λειτουργεί	Η ένδειξη της λυχνίας LED "Επαναφορτιζόμενη μπαταρία" δεν ανάβει	Το καλώδιο σύνδεσης στο δίκτυο ρεύματος δεν είναι συνδεδεμένο	Συνδέστε το καλώδιο σύνδεσης στο δίκτυο στην πρίζα του δικτύου τροφοδοσίας
	Η επαναφορτιζόμενη μπαταρία ιόντων λιθίου δεν έχει φορτίσει	Ελαττωματικό καλώδιο σύνδεσης στο δίκτυο ρεύματος	Δρομολογήστε την επισκευή του φορτιστή από τον κατασκευαστή, βλέπε "Τεχνικό σέρβις"
Η επαναφορτιζόμενη μπαταρία ιόντων λιθίου δεν είναι φορτισμένη	Η επαναφορτιζόμενη μπαταρία ιόντων λιθίου είναι τοποθετημένη, η ένδειξη κατάστασης φόρτισης δεν ανάβει	Ελαττωματική επαναφορτιζόμενη μπαταρία ιόντων λιθίου	Δρομολογήστε την επισκευή της επαναφορτιζόμενης μπαταρίας ιόντων λιθίου από τον κατασκευαστή, βλ. Τμήμα τεχνικής υποστήριξης
	-	Λερωμένες επαφές φορτιστή	Καθαρίστε τις επαφές στην εσοχή φόρτισης, βλ. Καθαρισμός
	-	Κατεστραμμένες επαφές φορτιστή	Δρομολογήστε την επισκευή του φορτιστή από τον κατασκευαστή, βλ. Τμήμα τεχνικής υποστήριξης
	-	Ελαττωματική επαναφορτιζόμενη μπαταρία ιόντων λιθίου	Δρομολογήστε την επισκευή της επαναφορτιζόμενης μπαταρίας ιόντων λιθίου από τον κατασκευαστή, βλ. Τμήμα τεχνικής υποστήριξης
	-	Ελαττωματικός φορτιστής	Δρομολογήστε την επισκευή του φορτιστή από τον κατασκευαστή, βλ. Τμήμα τεχνικής υποστήριξης
	-	Κατά τη διάρκεια της διαδικασίας φόρτισης μετريέται στην επαναφορτιζόμενη μπαταρία ιόντων λιθίου μια πολύ υψηλή θερμοκρασία	Αφαιρέστε την επαναφορτιζόμενη μπαταρία ιόντων λιθίου από την εσοχή φόρτισης, αφήστε την να κρυώσει και επαναλάβετε τη διαδικασία φόρτισης
-	Βλάβη φόρτισης ή ελαττωματική επαναφορτιζόμενη μπαταρία ιόντων λιθίου	Αφαιρέστε την επαναφορτιζόμενη μπαταρία ιόντων λιθίου από την εσοχή φόρτισης και επαναλάβετε τη διαδικασία φόρτισης	
-	-	Σε νέα βλάβη : Δρομολογήστε την επισκευή της επαναφορτιζόμενης μπαταρίας ιόντων λιθίου από τον κατασκευαστή, βλ. Τμήμα τεχνικής υποστήριξης	
-	-	Σε νέα βλάβη : Δρομολογήστε την επισκευή της επαναφορτιζόμενης μπαταρίας ιόντων λιθίου από τον κατασκευαστή, βλ. Τμήμα τεχνικής υποστήριξης	

9. Τμήμα τεχνικής υποστήριξης



ΠΡΟΕΙΔΟΠΟΙΗΣΗ

**Κίνδυνος τραυματισμού ή/και
εσφαλμένη λειτουργία!**

► Μην τροποποιείτε το προϊόν.

Τροποποιήσεις σε αυτόν τον τεχνικό εξοπλισμό μπορούν να έχουν ως αποτέλεσμα την έκπτωση των δικαιωμάτων εγγύησης/συμβατικής δέσμευσης καθώς και τυχόν αδειών χρήσης.

Διευθύνσεις Σέρβις

Albert Kerbl GmbH

Felizenzell 9

84428 Buchbach / Germany

Phone: +49 (0) 8086 933-100

Fax: +49 (0) 8086 933-500

E-mail: info@kerbl.com

www.kerbl.com

Περαιτέρω διευθύνσεις τεχνικής υποστήριξης παρέχονται μέσω της προαναφερόμενης διεύθυνσης.

10. Πρόσθετα εξαρτήματα/ανταλλακτικά

Αρ. πρ.	Ονομασία	Έκδοση	Επαναφορτιζόμενη μπαταρία ιόντων λιθίου	Σταθμός φόρτισης πλήρης	Πρόσθετα εξαρτήματα
GT644-BL	Bonum Έκδοση για βοοειδή / Σετ με 1 μπαταρία, μπλε	Ευρώπη εκτός Ηνωμένου Βασιλείου	GT641 (3INR19/66-1)	GT643 (LC40)	GT604 Ειδικό λάδι για τις πλάκες κοπής και την κοπτική κεφαλή
GT646-BL	Bonum Έκδοση για βοοειδή / Σετ με 2 μπαταρίες, μπλε				
GT654-RO	Bonum Έκδοση για άλογα / Σετ με 1 μπαταρία, ροζ				
GT656-RO	Bonum Έκδοση για άλογα / Σετ με 2 μπαταρίες, ροζ				
GT654-BL	Bonum Έκδοση για άλογα / Σετ με 1 μπαταρία, μπλε				
GT656-BL	Bonum Έκδοση για άλογα / Σετ με 2 μπαταρίες, μπλε				
GT644G-BL	Bonum Έκδοση για βοοειδή / Σετ με 1 μπαταρία, μπλε	Μεγάλη Βρετανία		GT643G (LC40)	GT605 Γράσο οδοντωτών τροχών (Tube)
GT646G-BL	Bonum Έκδοση για βοοειδή / Σετ με 2 μπαταρίες, μπλε				
GT654G-RO	Bonum Έκδοση για άλογα / Σετ με 1 μπαταρία, ροζ				
GT656G-RO	Bonum Έκδοση για άλογα / Σετ με 2 μπαταρίες, ροζ				
GT654G-BL	Bonum Έκδοση για άλογα / Σετ με 1 μπαταρία, μπλε				
GT656G-BL	Bonum Έκδοση για άλογα / Σετ με 2 μπαταρίες, μπλε				
GT644K-BL	Bonum Έκδοση για βοοειδή / Σετ με 1 μπαταρία, μπλε	ΗΠΑ		GT643K (LC40)	
GT646K-BL	Bonum Έκδοση για βοοειδή / Σετ με 2 μπαταρίες, μπλε				
GT654K-RO	Bonum Έκδοση για άλογα / Σετ με 1 μπαταρία, ροζ				
GT656K-RO	Bonum Έκδοση για άλογα / Σετ με 2 μπαταρίες, ροζ				
GT654K-BL	Bonum Έκδοση για άλογα / Σετ με 1 μπαταρία, μπλε				
GT656K-BL	Bonum Έκδοση για άλογα / Σετ με 2 μπαταρίες, μπλε				
GT644A-BL	Bonum Έκδοση για βοοειδή / Σετ με 1 μπαταρία, μπλε	Αυστραλία		GT643A (LC40)	
GT646A-BL	Bonum Έκδοση για βοοειδή / Σετ με 2 μπαταρίες, μπλε				
GT654A-RO	Bonum Έκδοση για άλογα / Σετ με 1 μπαταρία, ροζ				
GT656A-RO	Bonum Έκδοση για άλογα / Σετ με 2 μπαταρίες, ροζ				
GT654A-BL	Bonum Έκδοση για άλογα / Σετ με 1 μπαταρία, μπλε				
GT656A-BL	Bonum Έκδοση για άλογα / Σετ με 2 μπαταρίες, μπλε				

11. Τεχνικά χαρακτηριστικά

11.1 Επαναφορτιζόμενη κουρευτική μηχανή Bonum

Αριθμός διαδρομών	μέγ. 2 500 1/min
Χρόνος λειτουργίας με επαναφορτιζόμενη μπαταρία ιόντων λιθίου	περ. 70 min έως 80 min
Ονομαστική τάση	μέγ. 10,8 V
Χωρητικότητα	μέγ. 2 A
Βάρος (με κοπτική κεφαλή και επαναφορτιζόμενη μπαταρία)	950 g

11.2 Φορτιστής GT643 (LC40)

Εύρη τάσης δικτύου (κατανάλωση ρεύματος)	220 V έως 240 V
Συχνότητα	50 Hz έως 60 Hz
Τάση φόρτισης/εξόδου	μέγ. 10,8 V
Ρεύμα φόρτισης/εξόδου	μέγ. 2,3 A
Βάρος (με καλώδιο και τροφοδοτικό)	360 g

11.3 Επαναφορτιζόμενη μπαταρία ιόντων λιθίου GT621 (31NR19/66-1)

Τύπος κελιών	Li
Ονομαστική τάση	10,8 V
Χωρητικότητα	2 Ah
Χρόνος φόρτισης	περ. 53 min
Βάρος	190 g
Σήμα ελέγχου	TÜV-Süd, TÜV NRTL (US-C), CE

11.4 Δήλωση συμμόρφωσης

CE Δηλώνουμε με πλήρη ευθύνη ότι αυτό το προϊόν συμμορφώνεται με τα παρακάτω πρότυπα ή κανονιστικά έγγραφα:
 Οδηγία ΗΜΣ 2004/108/EK:
 DIN EN 60335-1
 DIN EN 60335-2-8
 Ασφάλεια ηλεκτρικών συσκευών οικιακής (και συναφούς) χρήσης
 - γενικές προδιαγραφές
 - για ηλεκτρικές συσκευές κοπής μαλλιών
 Aescular Suhli GmbH

12. Απορριμματική διαχείριση

Τα ηλεκτρικά μηχανικά εργαλεία, τα πρόσθετα εξαρτήματα και η συσκευασία πρέπει να αποστέλλονται για εκ νέου χρήση με τρόπο φιλικό προς το περιβάλλον.

12.1 Μόνο για χώρες της ΕΕ



Μην απορρίπτετε τα ηλεκτρικά μηχανικά εργαλεία στα οικιακά απορρίμματα!
 Σύμφωνα με την Ευρωπαϊκή Οδηγία 2012/19/ΕΕ για ηλεκτρικές και ηλεκτρονικές παλιές συσκευές και την ενσωμάτωσή τους στο εθνικό δίκαιο, τα ηλεκτρικά μηχανικά εργαλεία που δεν χρησιμοποιούνται πλέον πρέπει να συλλέγονται ξεχωριστά και να αποστέλλονται για εκ νέου χρήση με τρόπο φιλικό προς το περιβάλλον.

12.2 Επαναφορτιζόμενη μπαταρία ιόντων λιθίου

Μην απορρίπτετε τις επαναφορτιζόμενες μπαταρίες ιόντων λιθίου στα οικιακά απορρίμματα, σε φωτιά ή στο νερό. Οι ελαττωματικές ή άχρηστες επαναφορτιζόμενες μπαταρίες ιόντων λιθίου πρέπει σύμφωνα με την οδηγία 2006/66/EK να συλλέγονται, να ανακυκλώνονται ή να απορρίπτονται με τρόπο φιλικό προς το περιβάλλον.

13. Εγγύηση 2 ετών

Αγαπητή πελάτισσα / αγαπητέ πελάτη,
σας ευχαριστούμε θερμά για την απόφασή σας να προτιμήσετε ένα προϊόν του Οίκου μας.

Η επωνυμία Aescular εδώ και δεκαετίες είναι συνυφασμένη με την αποδεδειγμένη ποιότητα και την εξυπηρέτηση πρώτης κατηγορίας. Προσφέρουμε πρωτοποριακά προϊόντα υψηλής απόδοσης. Η Aescular κατασκευάζει ποιοτικές συσκευές και σας εγγυάται ότι χρησιμοποιούνται υψηλής ποιότητας υλικά και ότι η κατασκευή γίνεται με εξαιρετική φροντίδα. Θα θέλαμε επίσης να σας ενημερώσουμε ότι δεν φέρουμε καμία ευθύνη για τα υλικά ελαττώματα των προϊόντων μας, εφόσον αυτά προκλήθηκαν εξαιτίας μη ορθολογικής χρήσης ή φυσιολογικής φθοράς ή χρήσης μη κατάλληλων ή όχι κανονικά λειτουργούντων προϊόντων τρίτων κατασκευαστών.

Ως εξαρτήματα τα οποία υπόκεινται σε φθορά, για την οποία δεν φέρουμε ευθύνη, νοούνται η επαναφορτιζόμενη μπαταρία και η κοπτική κεφαλή. Επίσης, εξαιρούνται τα ελαττώματα τα οποία είτε δεν επηρεάζουν την αξία ή τη λειτουργικότητα του πράγματος είτε την επηρεάζουν σε μη σημαντικό βαθμό.

Σε περίπτωση που φέρουμε ευθύνη, εντός του περιγραφέντος πλαισίου ευθύνης εκ της εγγυήσεως, επιφυλασσόμαστε του δικαιώματος επιδιόρθωσης του προϊόντος ή αντικατάστασής του.

Aesculap®

大型動物用充電式ヘアカッター Bonum

概要

位置	商品番号	名称
1	GT647801	1 取付け状態のカットヘッドケース
2	GT502	1 下カットプレート
3	GT501	1 上側カットプレート(牛用)
	GT505	1 上側カットプレート(馬用)
4	GT610010	1 クランプネジ
5	GT367201	1 レゾネータ
6	GT367202	2 ガイドピン
7	TA008295	6 発振スプリングシート
8	GT610307	1 スプリングブリッジ
9	GT367207	2 固定ネジ
10	GT640225	1 調整用ネジ
11	GT610405	2 ロックナット
12	GT640220	1 ギア付き軸
13	GT610304	1 レゾネータブロック
14	TA010017	2 ネジ、プラス、M4 x 16
15	TA005091	2 ネジ
16	GT367803	1 右スペーサー
17	GT367802	1 左スペーサー
18	GT367804	1 取付け状態のレゾネータ
19	GT146	1 精密調整器 Torqui
20	GT800249	1 オン/オフスイッチ(LED付き)
21	GT641 (3INR19/66-1)	1 リチウムイオンバッテリー
22	GT643 (LC40)	1 チャージャー
a	-	1 ヘアカッターバッテリー注油箇所
b	-	1 スイングブレードブロック
c	-	1 プレッシャーベアリングスリーブ
d	-	1 スプリングリング
e	-	1 ケースカバー
f	-	1 プレッシャーバー
g	-	1 アイレットスプリング

位置	商品番号	名称
-	GT604	1 カッターヘッドとカットプレート用 スペシャルオイル
	GT605	1 ギアボックスグリース(チューブ)

製品に表示されている記号



注意、一般的警告記号
注意、酸公文書に注意



欧州指令 2012/19/EU (WEEE) 準拠による電気電子
機器の標識、参照先 廃棄処分

目次

1.	安全な取り扱い	221
2.	装置の説明	221
2.1	納品内容	221
2.2	使用のために必要な部品	221
2.3	使用目的	221
2.4	機能概要	222
3.	準備	222
4.	充電式ヘアカッター、チャージャー、リチウムイオン バッテリーの使い方	222
4.1	準備	222
4.2	機能の確認	222
4.3	チャージャーを接続/リチウムイオンバッテリーを充 電する	223
4.4	リチウムイオンバッテリーの交換	224
4.5	カッターヘッドの取扱い	224
4.6	保管	226
5.	カットプレート	226
5.1	カッターヘッド GT647 牛バージョン / GT657 馬バージョン 用カットプレート	226
5.2	推奨される組合せ	226
6.	再生処理	227
6.1	洗浄/消毒	227
6.2	点検と確認	227
7.	メンテナンス	227
8.	トラブルシューティング	228
8.1	充電式ヘアカッター Bonum	228
8.2	チャージャーとリチウムイオンバッテリー	228

9.	テクニカルサービス	229
10.	アクセサリ / 交換部品	230
11.	技術仕様	231
11.1	充電式ヘアカッター Bonum	231
11.2	チャージャー GT643 (LC40)	231
11.3	リチウムイオンバッテリー GT621 (3INR19/66-1)	231
11.4	準拠性宣言	231
12.	廃棄処分	231
12.1	EUのみ該当	231
12.2	リチウムイオンバッテリー	231
13.	2年保証	231

1. 安全な取り扱い



感電による生命の危険！

- ▶ 製品を開かないでください。
- ▶ 製品は保護接地導体のある電力網のみと接続してください。

- ▶ 製品をご使用になる前に、正しく機能すること、そして正常な状態であることを確認してください。
- ▶ チャージャーとリチウムイオンバッテリーは常温で保管してください。
- ▶ チャージャーとリチウムイオンバッテリーは乾燥状態に維持してください。
- ▶ 初めてご使用になる前にリチウムイオンバッテリーを充電してください。
- ▶ 不正な取り外しや運転による損害を防止し、保証および賠償責任を無効にしないために：
 - 製品を本取扱説明書に従ってのみご仕様ください。
 - 安全情報およびメンテナンス上の注意事項を遵守してください。
 - アーセクラップの製品のみ組み合わせられます。
- ▶ 取扱説明書はユーザーがすぐ手に取れるように保管してください。
- ▶ 適用規格を遵守してください。
- ▶ 使用室内の電気設備がIEC要件に準拠することを確認してください。
- ▶ 電力網との接続部は装置のプラグを引き抜いて切断し、決してケーブルを引いて行わないでください。
- ▶ 製品を爆発性雰囲気の中で使用しないでください。
- ▶ 損傷していたり胡椒している製品を使用しない。損傷している製品は直ちに分別してください。

2. 装置の説明

2.1 納品内容

商品番号	名称
GT640-BL	大型動物用充電式ヘアカッター Bonum、牛用、ブルー
GT640-RO	大型動物用充電式ヘアカッター Bonum、馬用、ピンク
GT641 (3INR19/66-1)	リチウムイオンバッテリー
GT643 (LC40)	電源ケーブル付きチャージャー (装置プラグ付き)
TA015304	取扱説明書
TA009222	ドライバー
GT604	オイルボトル

2.2 使用のために必要な部品

- 充電式ヘアカッター Bonum
- チャージャー
- 電源ケーブル (装置プラグ付き)
- リチウムイオンバッテリー

2.3 使用目的

充電式ヘアカッター Bonum

充電式ヘアカッター Bonum は牛、馬や大型犬などのヘアカット専用に使われます。

チャージャー GT643 (LC40) / リチウムイオンバッテリー GT641 (3INR19/66-1)

チャージャー GT643 (LC40) は、リチウムイオンバッテリー GT641 (3INR19/66-1) の充電に使用します。

Aesculap®

大型動物用充電式ヘアカッター Bonum

2.4 機能概要

充電式ヘアカッター Bonum

充電式ヘアカッター Bonum はオン/オフスイッチ 20 で電源のオンとオフの切り替えを行います。

注記

機械が不慮に電源投入/切断されないようにするため、オン/オフスイッチは操作後 0.5 秒以上たってから反応します。

チャージャー GT643 (LC40)/ リチウムイオンバッテリー GT641 (31NR19/66-1)

チャージャー GT643 (LC40) は、電源電圧範囲 220V ~ 240 V/50 Hz ~ 60 Hz 用です。

使用するにはチャージャーGT643 (LC40) の電源プラグをコンセントに差し込んでください。

チャージャー GT643 (LC40) には充電用の穴が 1 個あります。

リチウムイオンバッテリーをチャージステーションに差し込むと充電が自動的に始まります。

充電用穴での充電時間はリチウムイオンバッテリーの容量により異なります。

充電原理

リチウムイオンバッテリーは一定の電流インパルスで充電されます。

リチウムイオンバッテリーの充電状態は充電中に監視されています。充電曲線を監視しているため 100 % 充電状態が過剰充電無く確実になっています。

追加的にバッテリーの温度と充電時間も監視されます。

リチウムイオンバッテリーの充電状態表示 f は 5 個の LED によります。各 LED は充電量 20 % に相当します。バッテリーの充電中は各充電状態の LED が点滅します。すべての LED が連続点灯していればバッテリーはフル充電状態です。

充電時間

最大充電時間に達すると充電は中断されます。充電時間は約 53 分です。

3. 準備

以下の規定に従わない場合 Aesculap は一切責任を負いません。

- ▶ この製品の据付および使用時には以下のことに従ってください：
 - 国別の設置規定および運用者の規定、
 - 防火・防爆に関する国別規定、
 - ご使用方法は IEC/MDA の規定に従います。

4. 充電式ヘアカッター、チャージャー、リチウムイオンバッテリーの使い方

4.1 準備

アクセサリを接続する

取扱説明書に記載のないアクセサリの組み合わせは意図されている使用目的のために明示的に決められている場合のみご使用可能です。性能特長ならびに安全要件に不利な影響が及ぶことはできません。

4.2 機能の確認

充電式ヘアカッター Bonum

- ▶ 目視点検を実行してください。
- ▶ リチウムイオンバッテリー 21 を、カチットはまるまで装置のダクトに差し込んでください。
- ▶ 稼動状態表示 d は充電状態を示します。

注記

リチウムイオンバッテリーが製品を使用しないときに放電しないように、リチウムイオンバッテリーと充電式ヘアカッターとの電気接続は 1 時間後に切断されます。

- ▶ リチウムイオンバッテリー 38 を再度有効にし、スイッチ g を押します。図 E 参照。
充電状態表示 f のすべての LED が点灯します。

チャージャー / リチウムイオンバッテリー

- ▶ 目視点検を実行してください。
- ▶ 製品を電力網コンセントに接続する前に：
 - 電源ケーブルが損傷していないか確認します。
 - 製品が損傷していないか確認します（充電用穴の接点の曲がり等）。
- ▶ 電源プラグを電力網のコンセントに差し込みます。
- ▶ リチウムイオンバッテリー²¹をチャージャーのダクトに差し込んで充電してください。図 F 参照。



充電用穴に種類が異なるバッテリーを繋ぐと製品、充電用穴またはリチウムイオンバッテリーの破損がありえます！

- ▶ リチウムイオンバッテリーは専用ダクトに差し込んでください。

4.3 チャージャーを接続 / リチウムイオンバッテリーを充電する



液体や金属部品 / 片による極のショートによる火災の危険！

- ▶ リチウムイオンバッテリーをショートさせない。



電源ケーブルの損傷による負荷の危険があります！

- ▶ 電源ケーブルは充電前に損傷していないか確認してください。
- ▶ 損傷した電源ケーブルはメーカーに交換させてください。



損傷したリチウムイオンバッテリーを使用すると負傷や物損の危険があります！

- ▶ リチウムイオンバッテリーは充電前に損傷していないか確認してください。
- ▶ 損傷しているリチウムイオンバッテリーを使用 / 充電しないでください。



長期間保管すると放電したリチウムイオンバッテリーの容量 / 性能が損失します！

- ▶ リチウムイオンバッテリーを長期間保管するときはフル充電してから保管し、月一回補給充電してください。

注記

使用前に、銘板の定格電圧と周波数が、電源のデータと一致することを確認します。チャージャーの接続においては、少なくとも漏電遮断器 (タイプ F) を、遮断電流 30 mA で使用することを推奨します。

注記

チャージャーは 8 歳以上の子供および使用経験や知識に関する肉体的、知覚的または精神的な能力または障害を持つ人が使用することができません。但し、監督されるまたは装置の安全な使用について指示されたことおよび使用に起因する危険を理解したことが前提条件です。

- ▶ 子供にこの装置で遊ばせないでください。
- ▶ チャージャーの清掃および保守は子供には監督無く行わせないでください。

Aesculap®

大型動物用充電式ヘアカッター Bonum

注記

リチウムイオンバッテリーは充電中に若干暖かくなります。

注記

チャージャーを使用しないときは電源ケーブルをコンセントから抜いてください。

- ▶ リチウムイオンバッテリーの充電にエースクラップのチャージャー GT643 (LC40) のみご使用ください。
- ▶ チャージャー 22 のコンセントと差し込みます。稼働表示 LED d および警告表示 e の LED が連続して約 1 秒点灯します。図 F 参照。
- ▶ リチウムイオンバッテリー 21 をチャージャー 22 のダクトに当たりのあるまで差し込んでください。図 F 参照。稼働表示 LED d が点滅する場合、リチウムイオン電池 21 は充電中です。稼働表示 d の LED が連続点灯している場合は、リチウムイオンバッテリーはフル充電状態です。

4.4 リチウムイオンバッテリーの交換

- ▶ 充電式ヘアカッター g のカッターヘッドごと下へ向けて持ち、リチウムイオンバッテリー 21 が緩めたとき落ちないようにします参照先 図 1。
- ▶ バッテリーロック f を親指でロックします。



図 1

- ▶ リチウムイオンバッテリー 21 を引き抜き、充電するか充電済みのリチウムイオンバッテリー GT641 (31NR19/66-1) を充電式ヘアカッター g に入れます参照先 図 2。



図 2

4.5 カッターヘッドの取扱い

カッターヘッドの潤滑



注意

注油が不正な場合はヘアカッターやカッターヘッドの損傷につながります！

- ▶ カッターヘッドはカッターを稼働させてのみ注油してください。
- ▶ カッターとカッターヘッドを液体に浸けないでください。
- ▶ 薄めの潤滑油 GT604 のみご使用下さい。

- ▶ カッターヘッドの潤滑部 a に一頭ごとに十分注油します。図 A 参照。
- ▶ スプリングシート 7 を 1 日に 2～3 回、3～4 滴注油します。図 C を参照。

歯車の潤滑



注油が不正な場合はヘアカッターや歯車の損傷につながります！

- ▶ ギアボックスグリース GT605 のみご使用下さい。
- ▶ ヘアカットシーズンごとに歯車を1～2回潤滑します。

- ▶ リチウムイオンバッテリー 21 をアンロックし、取外します。
- ▶ 両方のネジ 14 を回して外します。図 B を参照。
- ▶ カッターヘッドを見下ろしたときこのヘッドを左へ15°回し、モーターケースから取外します。
- ▶ 歯車 12 の対向している箇所約1 cm だけグリースを塗ります。図 C を参照。
- ▶ カッターヘッドを慎重にモータに差し込みます。このときカッターヘッドが左へおよそ15°回って差し込まれ、下のノーズがモーターケースの溝に嵌ることを確認してください。

カットプレートの交換

- ▶ リチウムイオンバッテリー 21 をアンロックし、取外します。
- ▶ ロックナット 11 を緩め、調整ネジ 10 を約2回分回して外します。図 A を参照。
- ▶ 両方のクランプネジ 4 を緩め、下カットプレート 2 を前へ引き抜き、上カットプレート 3 を取外します。図 D と図 E を参照。
- ▶ 上カットプレート 3 を差し込む前に、レゾネータブロック 13 がこのためのレゾネータの窪み 5 に来ることを確認してください。図 E を参照。
- ▶ 上カットプレート 3 を嵌め込みます。レゾネータ 5 の先端部 b が正確に上カットプレート 3 の穴 c に嵌ることを確認してください。図 D を参照。
- ▶ 下カットプレート 2 をクランプネジ 4 のヘッドの下へストップまでカッターヘッドケースに押し込み、両方のクランプネジ 4 を締付けます。
- ▶ 調整ネジ 10 を両方のカットプレートが軽く相互に押し合うまでねじ込みます。図 A を参照。

カッターヘッドの洗浄

- ▶ カッターヘッドはカット時期に数日後にはまたは汚れ方に応じて洗浄してください。
- ▶ リチウムイオンバッテリー 38 をアンロックし、取外します。
- ▶ 両方のネジ 6 を回して外します。図 B を参照。
- ▶ カッターヘッドを見下ろしたときこのヘッドを左へ15°回し、モーターケースから取外します。
- ▶ カットプレートを取外します参照先 カットプレートの交換。
- ▶ カッターヘッドの内部空間と個々の部品をブラシや筆でよく清掃してください。
- ▶ カットプレートを挿入し、引き締めます参照先 カットプレートの交換。
- ▶ 歯車を潤滑します参照先 歯車の潤滑。
- ▶ カッターヘッドを慎重にモータに差し込みます。このときカッターヘッドが左へおよそ15°回って差し込まれ、下のノーズがモーターケースの溝に嵌ることを確認してください。
- ▶ カッターヘッドの潤滑参照先 カッターヘッドの潤滑。

精密調整器 GT146 でプレートの圧力を調整 (オプションとして入手可)

注記

メーカーは、最適なプレート圧力の調整用に精密調整器 GT146 を推奨します。

- ▶ 精密調整器 GT146 19 を調整ネジ 10 の2つの穴に差し込みます。

注記

2つの穴の無い古いカッターヘッドのローレットネジは、調整ネジ GT147 に付け替えることができます。

Aesculap®

大型動物用充電式ヘアカッター Bonum

プレートの圧力を設定する

注記

プレートの圧力設定は製品が稼働している状態で補助工具を用いずに行います。

注記

プレートの圧力が高すぎると余計に加熱され、カットプレートの摩耗が激しくなります。

- ▶ ロックナット 11 を緩め、調整ネジ 10 を、上カットプレート 3 が下カットプレート 2 に押されなくなるまで (動作音が高くなる) 慎重に回して抜き取ります。図 A を参照。
- ▶ 調整ネジ 10 を、軽く抵抗が感じられるまで回してネジ込みます。ここからさらにおよそ一回転回し、次にロックナット 11 を締付けます。

カッターヘッドの洗浄

- ▶ カッターヘッドはカット時期に数日後にはまたは汚れ方に応じて洗浄してください。
- ▶ リチウムイオンバッテリー 21 をアンロックし、取外します。
- ▶ 両方のネジ 14 を回して外します。図 B を参照。
- ▶ カッターヘッドを見下ろし、このヘッドを左へ 15° 回し、モータケースから取り外します。
- ▶ カットプレートを取り外します。カットプレートの交換を参照。
- ▶ カッターヘッドの内部空間と個々の部品をブラシや筆でよく清掃してください。
- ▶ カットプレートを挿し込み締め付けます。カットプレートの交換を参照。
- ▶ ギアに注油します、ギアの潤滑を参照。
- ▶ カッターヘッドを慎重にモータに差し込みます。このときカッターヘッドが左へおよそ 15° 回って差し込まれ、下のノーズがモータケースの溝に嵌ることを確認してください。
- ▶ カッターヘッドの潤滑 参照先 カッターヘッドの潤滑

カットプレートの研磨

- ▶ カッタープレートの研磨はテクニカルサービスにお任せください、参照先 テクニカルサービス。

4.6 保管

- ▶ カッターとカットプレートは保管前によく清掃してください 参照先 再生処理。
- ▶ この製品は乾燥した暗く清潔な空間に保管してください。

5. カットプレート

5.1 カッターヘッド GT647 牛バージョン / GT657 馬バージョン用カットプレート

商品番号	名称
GT501	上カットプレート、15 個の歯付き
GT502	下カットプレート、31 個の歯付き、カットの高さ 3 mm
GT503	上カットプレート、17 個の歯付き
GT504	下カットプレート、18 個の歯付き、カットの高さ 3 mm
GT505	上カットプレート、23 個の歯付き
GT506	下カットプレート、23 個の歯付き、カットの高さ 3 mm
GT508	下カットプレート、51 個の歯付き、カットの高さ 1 mm
GT510	GT506 と同じ、カット高さは 5 mm
GT511	GT502 と同じ、カット高さは 1 mm

5.2 推奨される組合せ

組合せ	上 / 下プレート	最適な用途
歯が狭くアレ ンジされた	GT501/GT502	牛と馬 (標準装備)
	GT501/GT511	工業用刃
	GT505/GT502	馬と牛 - なめらかな標準 カッター
	GT505/GT508	馬、牛 (乳房用カッター) と産業用カッター
	GT505/GT511	馬と牛 - 非常に細かい、な めらかなカッター
ミディアム歯	GT505/GT506	牛、犬、ヤギ
	GT505/GT510	犬、ヤギ
ワイド歯	GT503/GT504	牛、羊、毛並みの細かい羊

6. 再生処理

6.1 洗浄／消毒



危険

感電および火災の危険！

- ▶ クリーニング前に：
 - 電源プラグをチャージャーから引き抜きます。
 - リチウムイオンバッテリーをアンロックし、充電式ヘアカッターを取外します。
- ▶ 可燃性や爆発性の洗浄液や消毒液を使用しないでください。
- ▶ 液体が製品に侵入しないようにしてください。



注意

機械を使用して清掃や消毒を行うと製品が損傷または破損します！

- ▶ 製品は手でのみ清掃／消毒してください。
- ▶ 製品を絶対に滅菌処理しないでください。



注意

不適切な洗浄液や消毒液では製品が損傷します！

- ▶ 地面の清掃に許可されている洗浄液や消毒液をメーカーの指図に従ってご使用下さい。
- ▶ 製品を水や洗浄液に浸さないでください。
- ▶ 液体が充電用穴に侵入しないようにしてください。
- ▶ 充電用穴内の接点を細心の注意を払ってよく清掃してください。

- ▶ 製品のケースは糸くずが立たない布に市販の消毒液を湿らせて拭き取ってください。
- ▶ 必要なら残余清掃 / 消毒液を効果が出る時間放置した後できれいな水を湿らせた糸くずが立たない布で拭き取ってください。
- ▶ きれいな糸くずが立たない布で拭きとって乾燥させます。
- ▶ 充電用穴の中の接点をイソプロパノールまたはエチルアルコールおよび綿棒で清掃します。腐食性薬剤を使用しないでください。
- ▶ 必要なら、清掃 / 消毒を繰り返します。

6.2 点検と確認

- ▶ 製品は室温で冷まします。
- ▶ 製品を清掃および消毒したら清潔な状態、機能、損傷がないかを点検してください。
- ▶ 製品の損傷、異常なノイズ、過熱または強すぎる振動がないか確認します。
- ▶ カッターヘッドの破損、損傷や切れなくなった刃がないか点検します。
- ▶ 損傷している製品は直ちに分別してください。

7. メンテナンス

信頼してご使用頂けるようにエースクラップは年一回以上メンテナンスを行うようにお勧めします。

Aesculap®

大型動物用充電式ヘアカッター Bonum

8. トラブルシューティング

8.1 充電式ヘアカッター Bonum

障害	原因	解決策
充電式ヘアカッターが始動しない	リチウムイオンバッテリーが充電されていない	リチウムイオンバッテリーを充電する
	リチウムイオンバッテリーが故障している	新しいリチウムイオンバッテリーを入れる
	リチウムイオンバッテリーが入っていない	リチウムイオンバッテリーを入れる
充電式ヘアカッターが使用中に止まったままになる	リチウムイオンバッテリーが保護スイッチによってオフになっている	充電式ヘアカッターをオフにしてまたオンにする
	リチウムイオンバッテリーが消耗した	新しいリチウムイオンバッテリーを入れる

8.2 チャージャーとリチウムイオンバッテリー

障害	症状	原因	解決策
チャージャーが機能しない	LED表示「Accu」が点灯しない リチウムイオンバッテリーが充電されていない	電源ケーブルがコンセントから抜けている	電源ケーブルを電源コンセントに差し込みます。
		電源ケーブルの不具合	チャージャーをメーカーに修理させてください。技術サービスを参照
		リチウムイオンバッテリーが故障している	リチウムイオンバッテリーをメーカーに修理させてください。参照先 テクニカルサービス

障害	症状	原因	解決策
リチウムイオンバッテリーが充電されない	リチウムイオンバッテリーを差し込んでも充電状態インジケータが点灯しない	チャージャー接点の汚れ	ダクト内の接点をきれいにする 参照先 再生処理
	-	チャージャーの接点が損傷している	チャージャーをメーカーに修理させてください。参照先 テクニカルサービス
	-	リチウムイオンバッテリーが故障している	リチウムイオンバッテリーをメーカーに修理させてください。参照先 テクニカルサービス
	-	チャージャーの不具合	チャージャーをメーカーに修理させてください。参照先 テクニカルサービス
	-	充電中にリチウムイオンバッテリーが熱くなる	リチウムイオンバッテリーを充電用穴から取り出し、冷ましてから充電を再開する 障害がまだあればリチウムイオンバッテリーをメーカーに修理させてください。参照先 テクニカルサービス
	-	充電の障害またはリチウムイオンバッテリーの不具合	リチウムイオンバッテリーを充電用穴から取り出し、充電を再開する 障害がまだあればリチウムイオンバッテリーをメーカーに修理させてください。参照先 テクニカルサービス

9. テクニカルサービス



警告

怪我する危険や故障がありえます!

▶ 製品を改造しないでください。

技術機器の改造は保証 / 填補請求権の無効化や、該当する場合には認可の失効があります。

サービス拠点

Albert Kerbl GmbH

Felizenzell 9

84428 Buchbach / Germany

Phone: +49 (0) 8086 933-100

Fax: +49 (0) 8086 933-500

E-mail: info@kerbl.com

www.kerbl.com

その他のサービス拠点については上記の住所までお問い合わせください。

10. アクセサリー / 交換部品

商品番号	名称	仕様	リチウムイオンバッテリー	チャージステーション一式	アクセサリ
GT644-BL	Bonum 牛バージョン / 電池 1 個を含むセット、ブルー	イギリスを除く 欧州	GT641 (3INR19/66-1)	GT643 (LC40)	GT604 カットプレートとカッターヘッド用スペシャルオイル
GT646-BL	Bonum 牛バージョン / 電池 2 個を含むセット、ブルー				
GT654-RO	Bonum 馬バージョン / 電池 1 個を含むセット、ピンク				
GT656-RO	Bonum 馬バージョン / 電池 2 個を含むセット、ピンク				
GT654-BL	Bonum 馬バージョン / 電池 1 個を含むセット、ブルー				
GT656-BL	Bonum 馬バージョン / 電池 2 個を含むセット、ブルー				
GT644G-BL	Bonum 牛バージョン / 電池 1 個を含むセット、ブルー	イギリス		GT643G (LC40)	GT605 ギアボックスグリース (チューブ)
GT646G-BL	Bonum 牛バージョン / 電池 2 個を含むセット、ブルー				
GT654G-RO	Bonum 馬バージョン / 電池 1 個を含むセット、ピンク				
GT656G-RO	Bonum 馬バージョン / 電池 2 個を含むセット、ピンク				
GT654G-BL	Bonum 馬バージョン / 電池 1 個を含むセット、ブルー				
GT656G-BL	Bonum 馬バージョン / 電池 2 個を含むセット、ブルー				
GT644K-BL	Bonum 牛バージョン / 電池 1 個を含むセット、ブルー	米国		GT643K (LC40)	
GT646K-BL	Bonum 牛バージョン / 電池 2 個を含むセット、ブルー				
GT654K-RO	Bonum 馬バージョン / 電池 1 個を含むセット、ピンク				
GT656K-RO	Bonum 馬バージョン / 電池 2 個を含むセット、ピンク				
GT654K-BL	Bonum 馬バージョン / 電池 1 個を含むセット、ブルー				
GT656K-BL	Bonum 馬バージョン / 電池 2 個を含むセット、ブルー				
GT644A-BL	Bonum 牛バージョン / 電池 1 個を含むセット、ブルー	オーストラリア		GT643A (LC40)	
GT646A-BL	Bonum 牛バージョン / 電池 2 個を含むセット、ブルー				
GT654A-RO	Bonum 馬バージョン / 電池 1 個を含むセット、ピンク				
GT656A-RO	Bonum 馬バージョン / 電池 2 個を含むセット、ピンク				
GT654A-BL	Bonum 馬バージョン / 電池 1 個を含むセット、ブルー				
GT656A-BL	Bonum 馬バージョン / 電池 2 個を含むセット、ブルー				

11. 技術仕様

11.1 充電式ヘアカッター Bonum

ストローク数	最高 2 500 rpm
リチウムイオンバッテリー 1 個の作動時間	約 70 ～ 80 分
通常の電圧	最大 10.8 V
容量	最大 2 A
重量 (カッターヘッドとバッテリー込み)	950 g

11.2 チャージャー GT643 (LC40)

電源電圧範囲 (消費電流)	220 V ～ 240 V
周波数	50 ～ 60 Hz
充電電圧 / 出力電圧	最大 10.8 V
充電電流 / 出力電流	最大 2.3 A
重量 (ケーブルと電源アダプター込み)	360 g

11.3 リチウムイオンバッテリー GT621 (31NR19/66-1)

セルタイプ	リチウム
公称電圧	10.8 V
容量	2 Ah
充電時間	約 53 分
重量	190 g
認証マーク	TÜV-Süd, TÜV NRTL (US-C), CE

11.4 準拠性宣言



弊社は本製品が下記の規格または規範規定書に準拠していることを単独で保証します。

2004/108/EC EMC 指令 :

DIN EN 60335-1

DIN EN 60335-2-8

世帯用途および類似の目的に使用する電気機器の安全性

- 一般要件
- ヘアカッター

Aesculap Suhl GmbH

12. 廃棄処分

電動ツール、アクセサリおよび梱包は環境両立性のある再利用ルートに処分してください。

12.1 EU のみ該当



電動ツールは一般家庭ゴミと一緒に捨てないでください！

電気電子機器に関する欧州指令 2012/19/EU およびその加盟国国内法に従い耐用に適さない電動ツールは分別収集し環境両立性のある再利用ルートに処分しなければなりません。

12.2 リチウムイオンバッテリー

リチウムイオンバッテリーを家庭ゴミ、火や水の中に投げ込まないでください。故障したまたは使用終了したリチウムイオンバッテリーは欧州指令 2006/66/EC に従い集取、再利用または環境に優しい方法で処分しなければなりません。

13. 2 年保証

お客様へ

本製品のお買い上げ心からお礼申し上げます。

弊社の名前である Aesculap (エスキュラップ) は数十年以来検査合格保証および最高品質のサービスで知られています。お客様に革新的で高性能な製品をお届けするのは弊社の使命です。Aesculap は高品質機器を生産しており、お客様のために高級素材の使用ならびに入念な加工品質を確実に行っていきます。弊社の製品の瑕疵につきましては、不適切な使用、通常の劣化または、製品の誤った使用方法、および不適格で正常に機能しない他社製品の使用を原因として生じた故障については製品保証を致しておりませんので、ご注意ください。

通常の劣化が避けられないため、弊社が保証対象外としている部品はバッテリーおよびシェービングヘッドです。同様に、価値または機能に影響しないかまたは軽微な影響しか与えない瑕疵も保証対象外です。

保証の範囲で賠償責任を負う場合には、製品を修理または交換するかを弊社の裁量によって決めさせていただきます。

